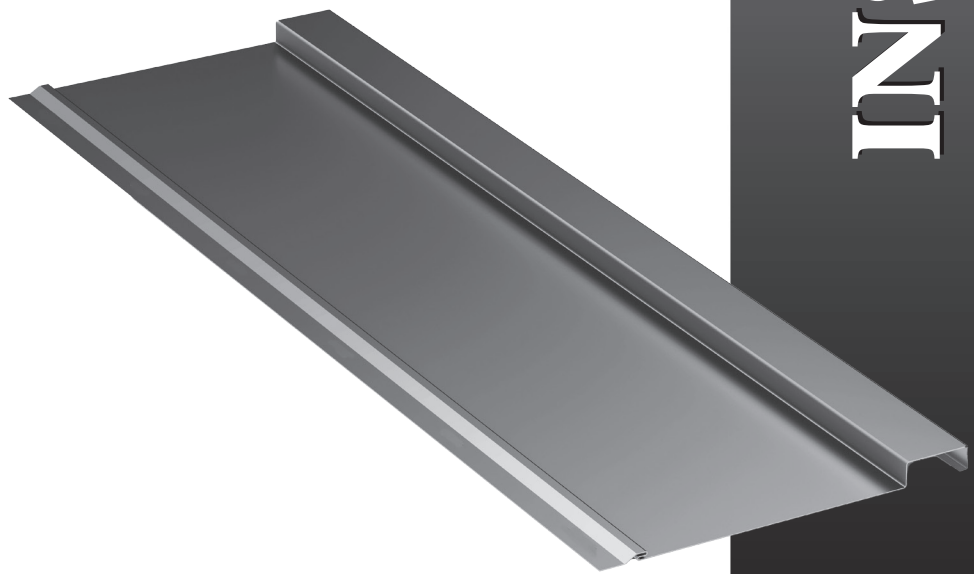


NOSTALGIA

BOARD & BATTEN



Installation Details



INSTALLATION

TABLE OF CONTENTS

PAGE NUMBER:	DETAIL DESCRIPTION
A-1.....	TABLE OF CONTENTS
A-2.....	GENERAL NOTES
B-1.....	FASTENER PATTERNS
C-1.....	BASE TRIM DETAIL
C-2.....	SIMPLE BASE TRIM DETAIL
C-3.....	WALL TO SOFFIT DETAIL
C-4.....	WALL TO SOFFIT (ALTERNATE) DETAIL
C-5.....	OUTSIDE CORNER DETAIL
C-6.....	OUTSIDE CORNER (OFF MODULE) DETAIL
C-7.....	INSIDE CORNER DETAIL
C-8.....	INSIDE CORNER (OFF MODULE) DETAIL
C-9.....	INSIDE CORNER (ALTERNATE) DETAIL
C-10.....	JAMB TRIM DETAIL
C-11.....	JAMB (ALT. - LOW) TRIM DETAIL
C-12.....	JAMB (ALT. - HIGH) TRIM DETAIL
C-13.....	HEADER DETAIL
C-14.....	SILL TRIM DETAIL
C-15.....	SILL TRIM (ALTERNATE) DETAIL
C-16.....	SPLICE TRIM DETAIL
C-17.....	MASONRY WAINSCOAT TRIM DETAIL
C-18.....	TYPICAL TRIM LAP DETAILS

GENERAL NOTES

The details shown on the following pages are suggestions or guidelines for installing the Nostalgia Board and Batten Panel wall panel system over plywood or OSB. The installation details shown here are proven methods of construction, but they are not intended to cover all building requirements, designs or codes. The details may require changes or revisions due to individual project conditions.

Installation procedures shall be in accordance with the manufacturer's printed instructions, details or approved shop drawings. Installers should thoroughly familiarized themselves with all instructions prior to beginning the installation process.

The designer/installer is responsible to ensure the following:

That the details here meet the particular building requirements.

Awareness of and allowance for expansion/contraction of the roof panels.

That adequate water-tightness is maintained.

That a proper uniform substructure is used to avoid panel distortion and that the substructure meets necessary code requirements.

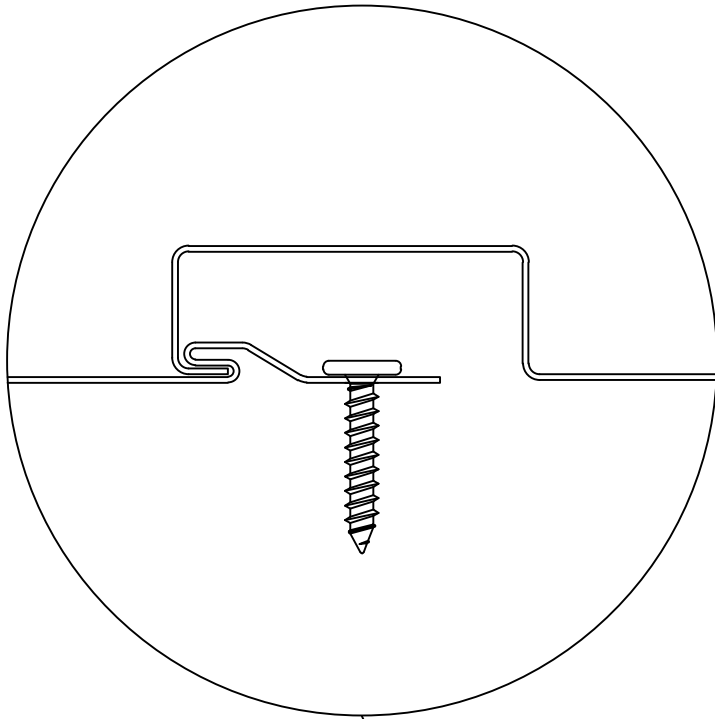
That all supporting members have been examined and are straight, level and plumb.

McElroy Metal can provide all flashings and accessories shown in the installation drawings unless noted otherwise. Panels, flashing and trim shall be installed true and in proper alignment with any exposed fasteners equally spaced for the best appearance. Sealant shall be field applied on a clean, dry surface.

Some field cutting and fitting of panels and flashings is to be expected and to be considered a part of normal installation work. Workmanship shall be of the best industry standards and with installation performed by experienced metal craftsmen.

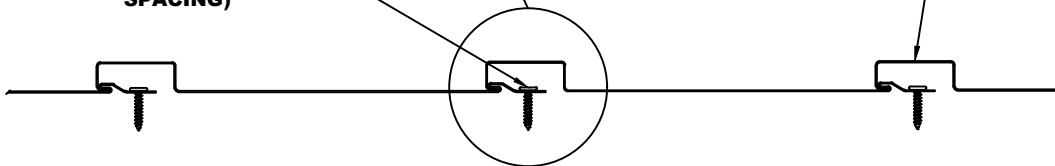
Oil canning of metal panels is inherent in metal and is not a cause for rejection.

Contents of this manual are subject to change without notice. To confirm this book is the most current copy, please visit McElroy Metal's website at www.mcelroymetal.com.



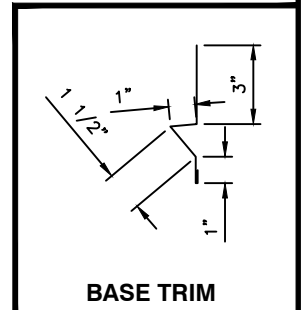
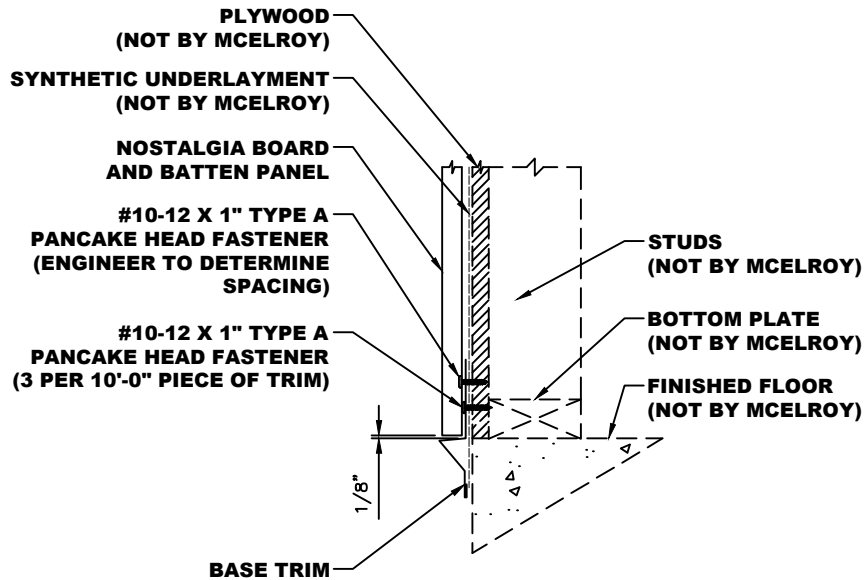
#10-12 X 1" TYPE A
PANCAKE HEAD FASTENER
(ENGINEER TO DETERMINE
SPACING)

NOSTALGIA PANEL

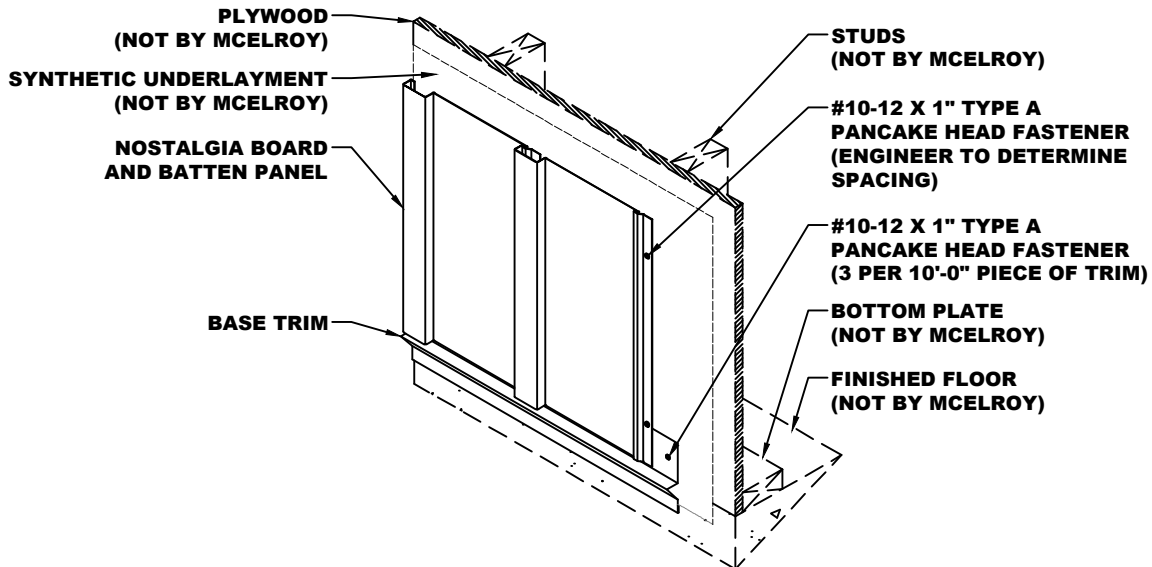


**NOSTALGIA BOARD
and BATTEN PANEL**

BASE DETAIL



- NOTES:**
1. Attach Base Trim to plywood with #10-12 x 1" Type A Pancake Head Fasteners at (3) per 10'-0" piece of trim.
 2. Install the Nostalgia Board and Batten Panel making sure to hold the edge of the panel 1/8" or more up off the Base Trim with #10-12 x 1" Type A Pancake Head Fasteners at the spacing determined by your Project Engineer.

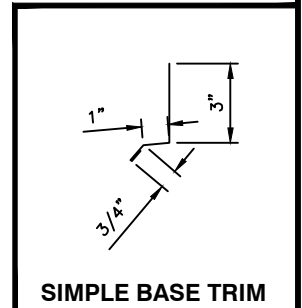
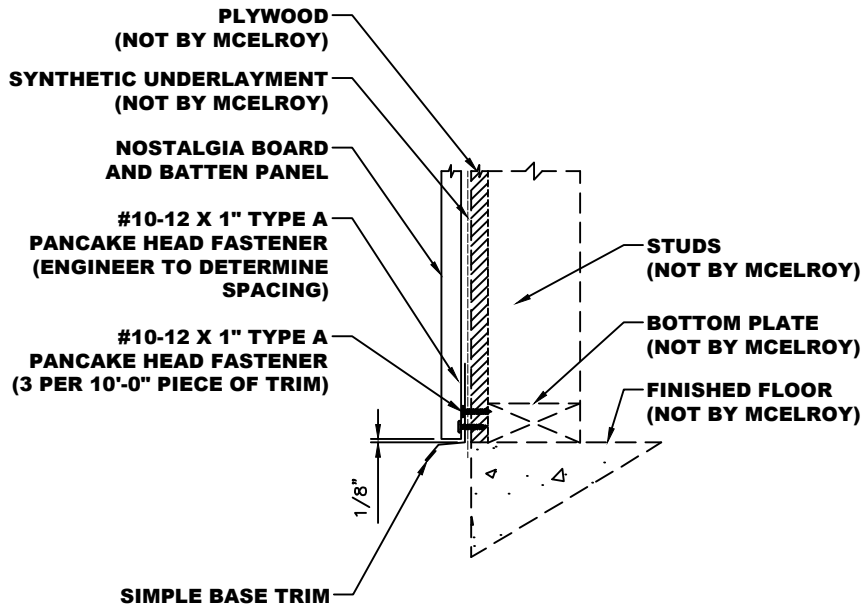


*NOTE: SOME TRIM ITEMS AND FASTENERS HAVE BEEN REMOVED FOR CLARITY OF ISOMETRIC DETAIL.

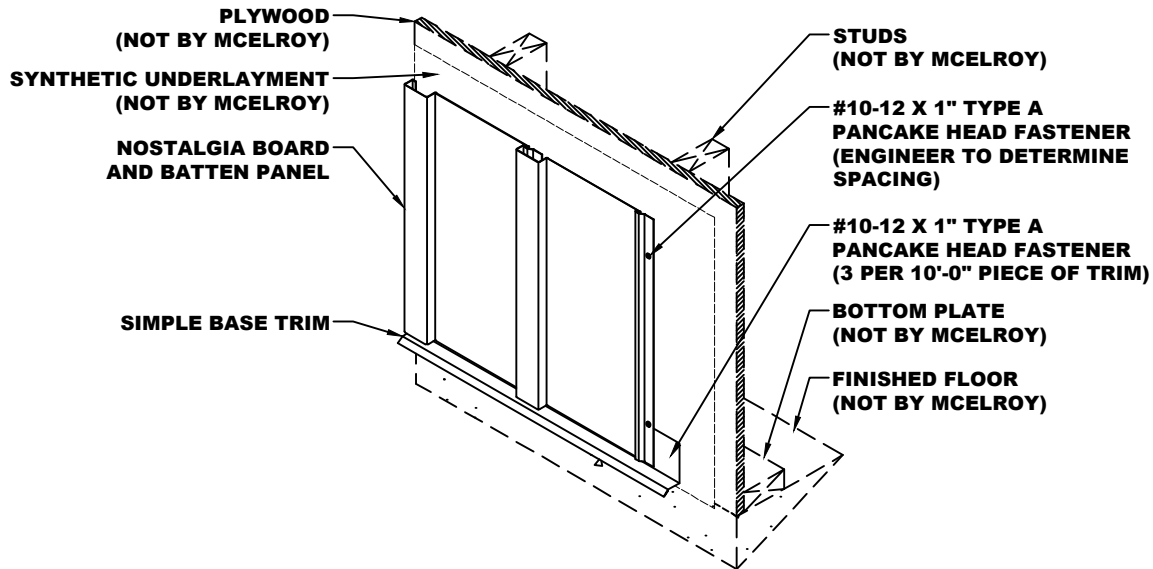


**NOSTALGIA BOARD
and BATTEN PANEL**

SIMPLE BASE DETAIL



- NOTES:**
1. Attach Simple Base Trim to plywood with #10-12 x 1" Type A Pancake Head Fasteners at (3) per 10'-0" piece of trim.
 2. Install the Nostalgia Board and Batten Panel making sure to hold the edge of the panel 1/8" or more up off the Simple Base Trim with #10-12 x 1" Type A Pancake Head Fasteners at the spacing determined by your Project Engineer.

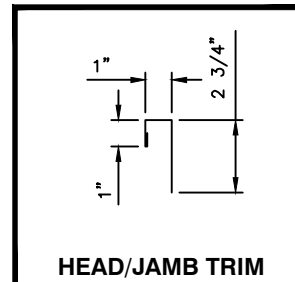
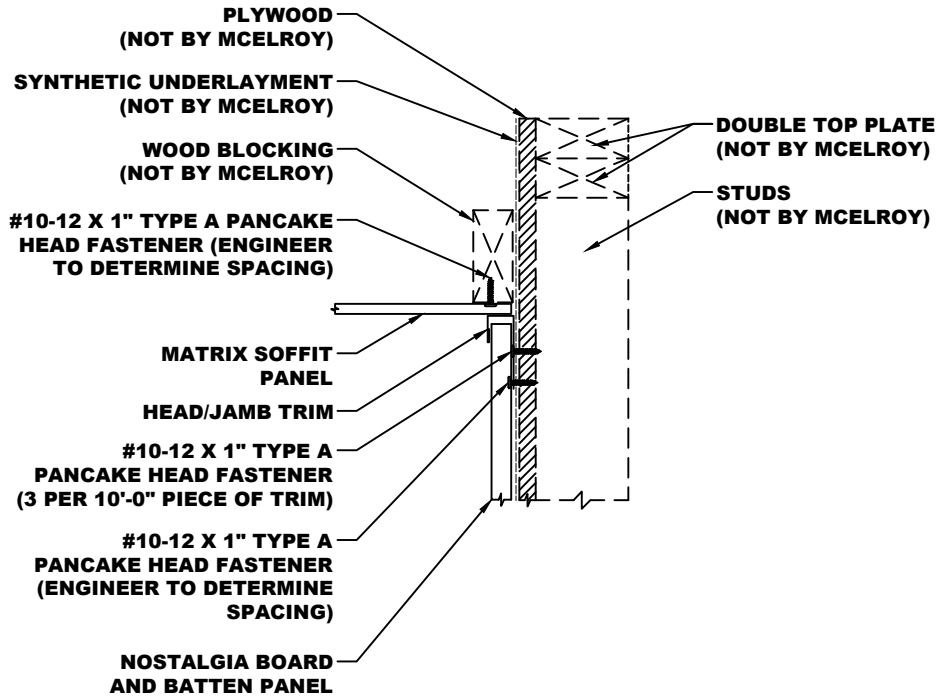


*NOTE: SOME TRIM ITEMS AND FASTENERS HAVE BEEN REMOVED FOR CLARITY OF ISOMETRIC DETAIL.



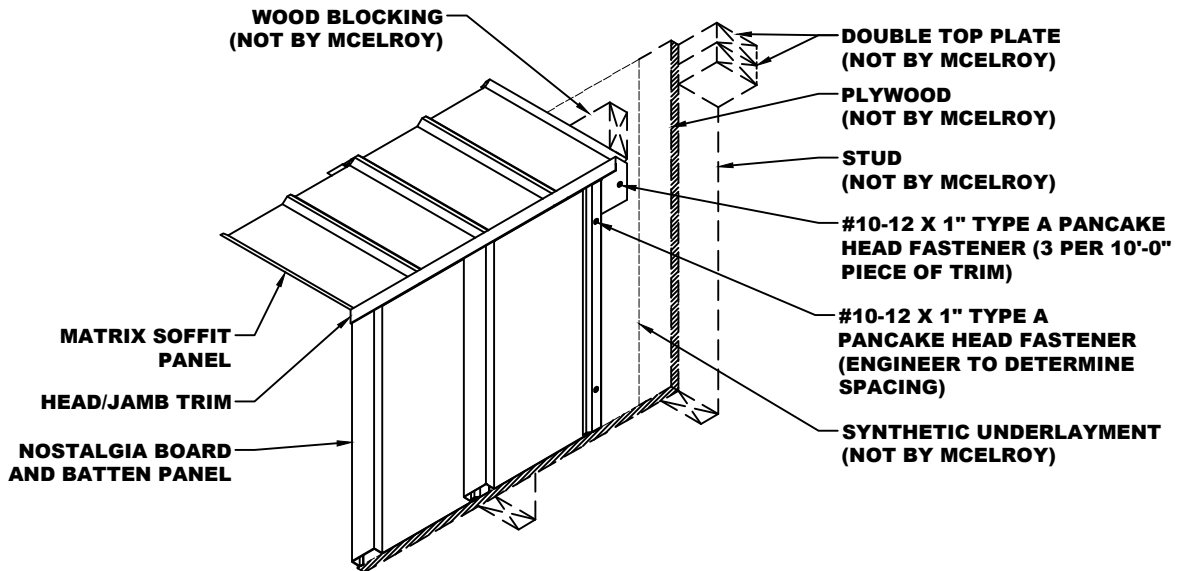
**NOSTALGIA BOARD
and BATTEN PANEL**

WALL TO SOFFIT DETAIL



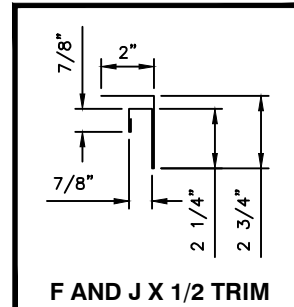
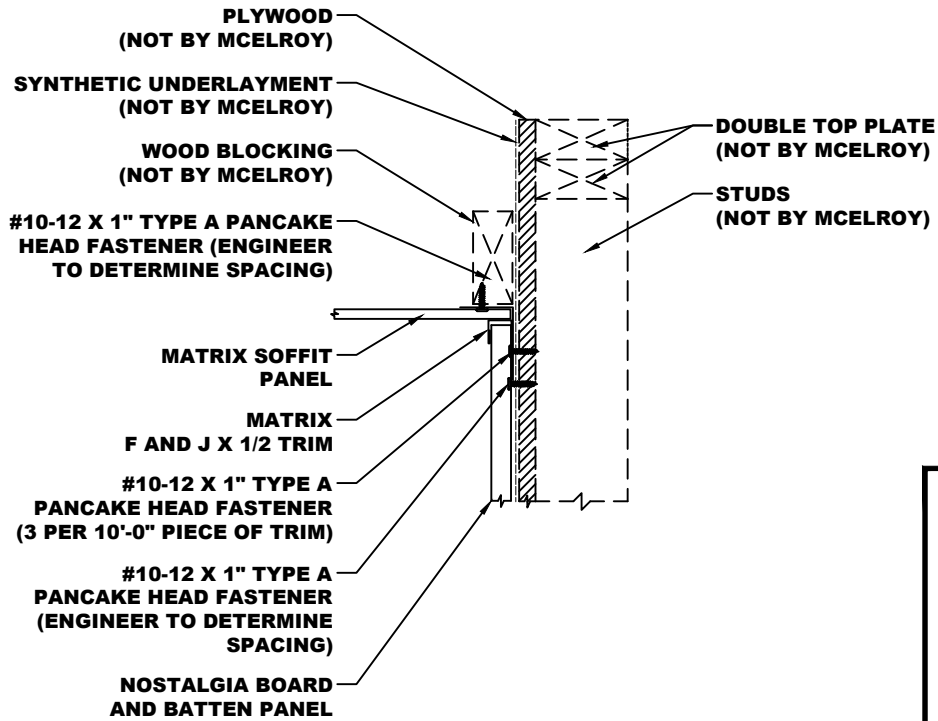
- NOTES:**
1. Head/Jamb Trim to run from edge of wall to edge of wall.
 2. Attach Head/Jamb Trim with #10-12 x 1" Type A Pancake Head Fasteners at (3) per 10'-0" piece of trim.
 3. Install Nostalgia Board and Batten Panels using #10-12 x 1" Type A Pancake Head Fasteners at a spacing determined by your Project Engineer.

*NOTE: SOME TRIM ITEMS AND FASTENERS HAVE BEEN REMOVED FOR CLARITY OF ISOMETRIC DETAIL.

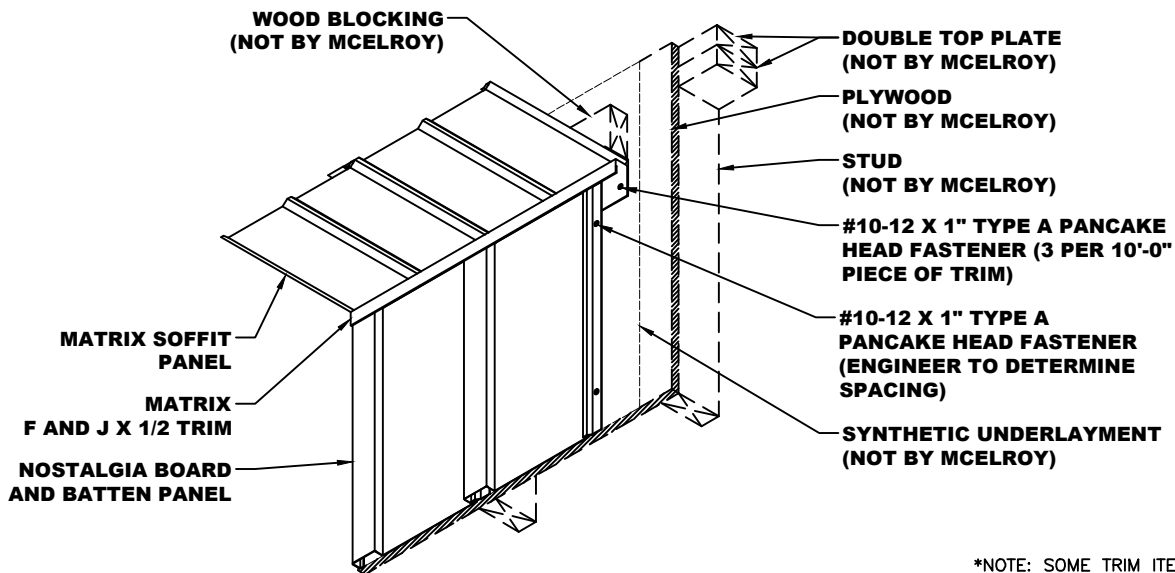


**NOSTALGIA BOARD
and BATTEN PANEL**

WALL TO SOFFIT (ALT.) DETAIL



- NOTES:**
1. Matrix F and J x 1/2 Trim to run from edge of wall to edge of wall.
 2. Attach Matrix F and J x 1/2 Trim with #10-12 x 1" Type A Pancake Head Fasteners at (3) per 10'-0" piece of trim.
 3. Install Nostalgia Board and Batten Panels using #10-12 x 1" Type A Pancake Head Fasteners at a spacing determined by your Project Engineer.

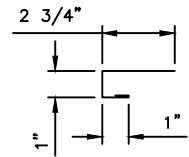
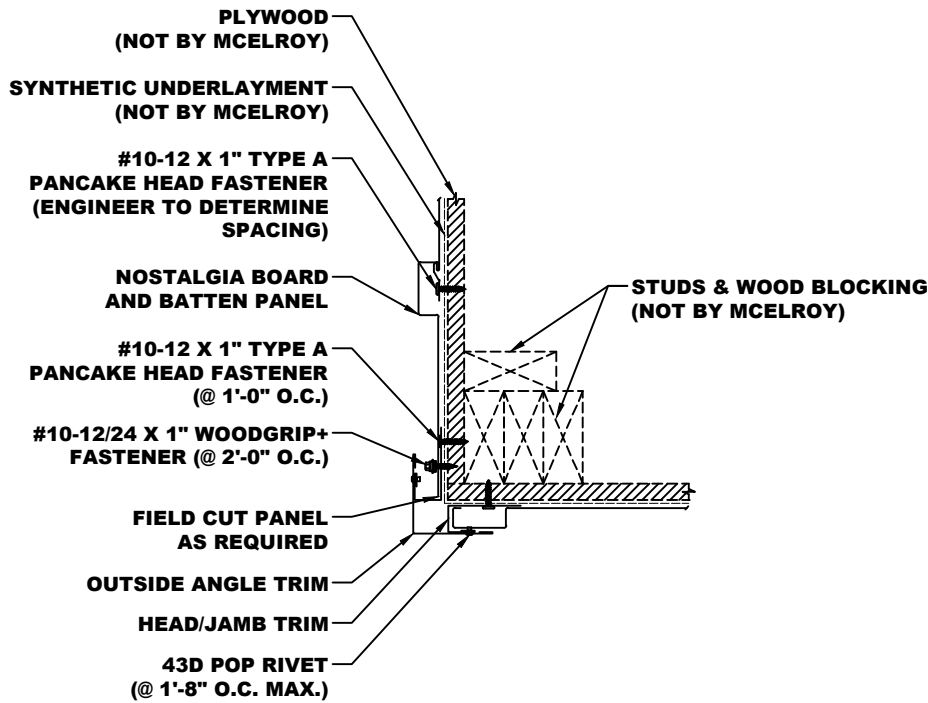


*NOTE: SOME TRIM ITEMS AND FASTENERS HAVE BEEN REMOVED FOR CLARITY OF ISOMETRIC DETAIL.

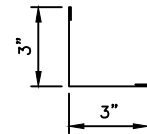


**NOSTALGIA BOARD
and BATTEN PANEL**

OUTSIDE CORNER DETAIL

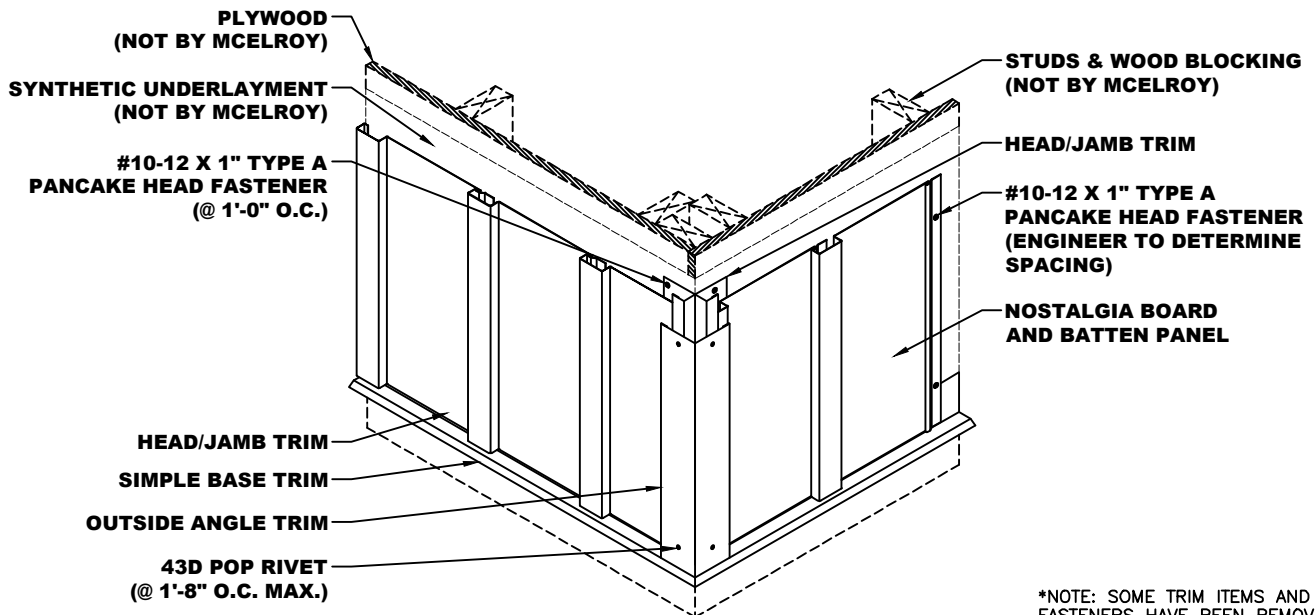


HEAD/JAMB TRIM



OUTSIDE ANGLE TRIM

- NOTES:**
1. Attach Head/Jamb Trim to plywood with #10-12 x 1" Type A Pancake Head Fasteners at 1'-0" O.C.
 2. Field cut Nostalgia Board and Batten Panel as required and fasten with #10-12/24 x 1" Woodgrip+ Fasteners at 2'-0" O.C. On side of Corner with full panel, attach with #10-12 x 1" Type A Pancake Head Fasteners at spacing determined by Engineer of Record.
 3. Attach Outside Angle Trim to Head/Jamb Trim with 43D Pop Rivets at 1'-8" Max. O.C. spacing. Trim Laps are to be 2" Laps.

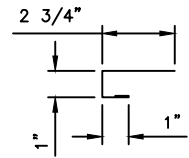
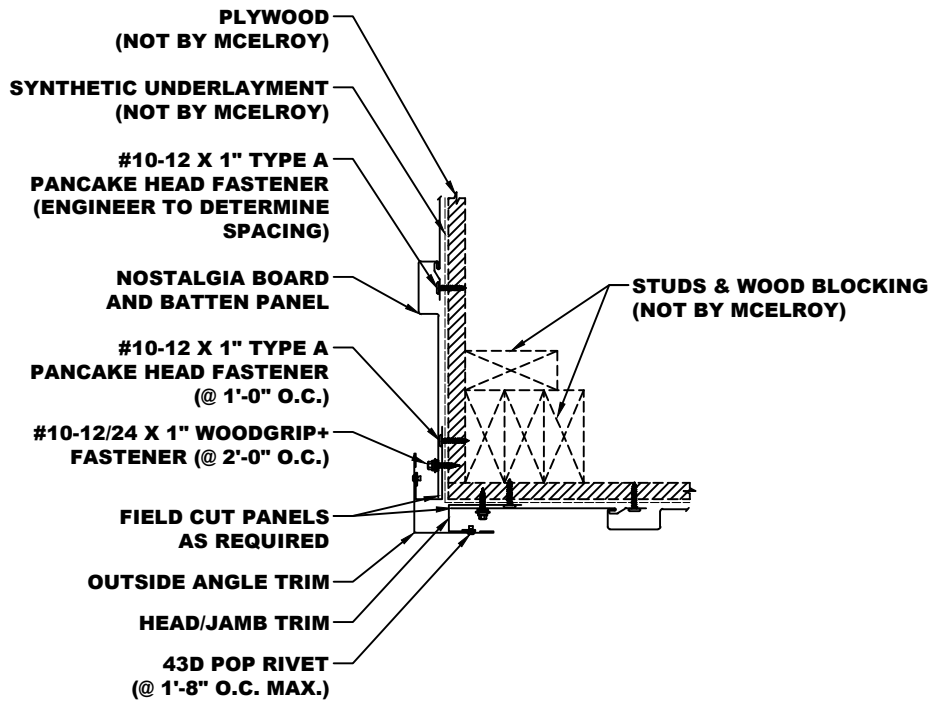


*NOTE: SOME TRIM ITEMS AND FASTENERS HAVE BEEN REMOVED FOR CLARITY OF ISOMETRIC DETAIL.

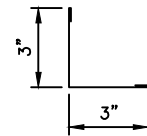


**NOSTALGIA BOARD
and BATTEN PANEL**

**OUTSIDE CORNER
(OFF MODULE) DETAIL**

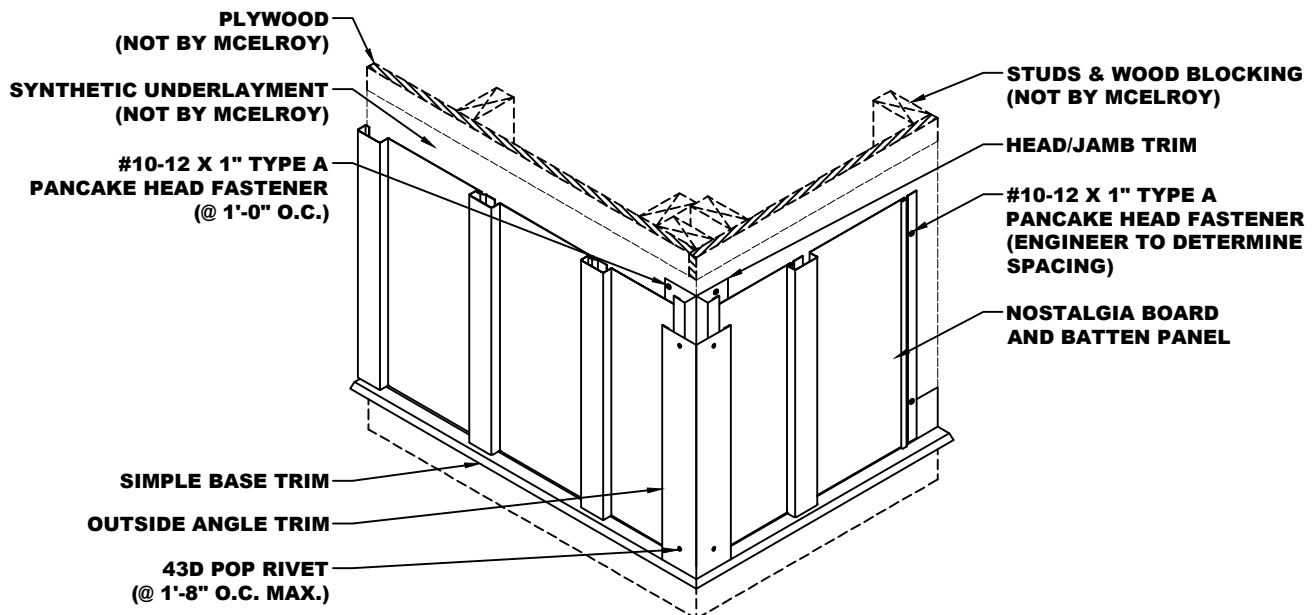


HEAD/JAMB TRIM



OUTSIDE ANGLE TRIM

- NOTES:**
1. Attach Head/Jamb Trim to plywood with #10-12 x 1" Type A Pancake Head Fasteners at 1'-0" O.C.
 2. Field cut Nostalgia Board and Batten Panels as required and fasten with #10-12/24 x 1" Woodgrip+ Fasteners at 2'-0" O.C.
 3. Attach Outside Angle Trim to Head/Jamb Trim with 43D Pop Rivets at 1'-8" Max. O.C. spacing. Trim Laps are to be 2" Laps.

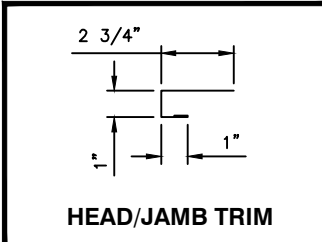
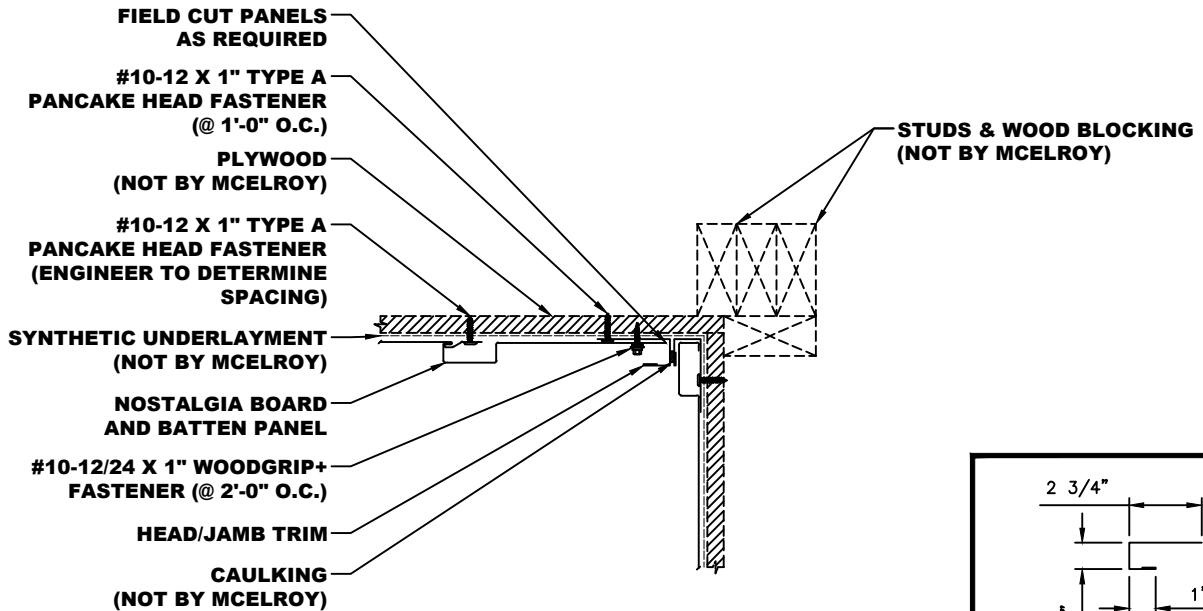


*NOTE: SOME TRIM ITEMS AND FASTENERS HAVE BEEN REMOVED FOR CLARITY OF ISOMETRIC DETAIL.



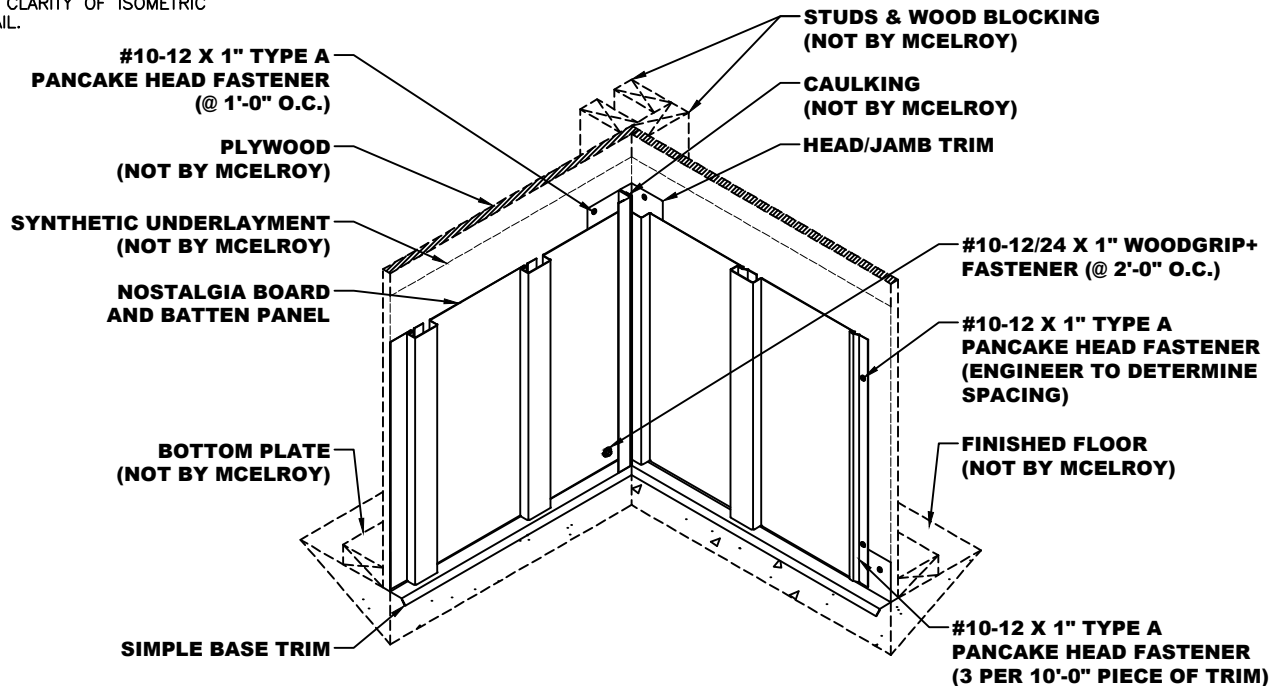
**NOSTALGIA BOARD
and BATTEN PANEL**

INSIDE CORNER DETAIL



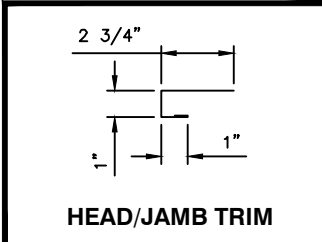
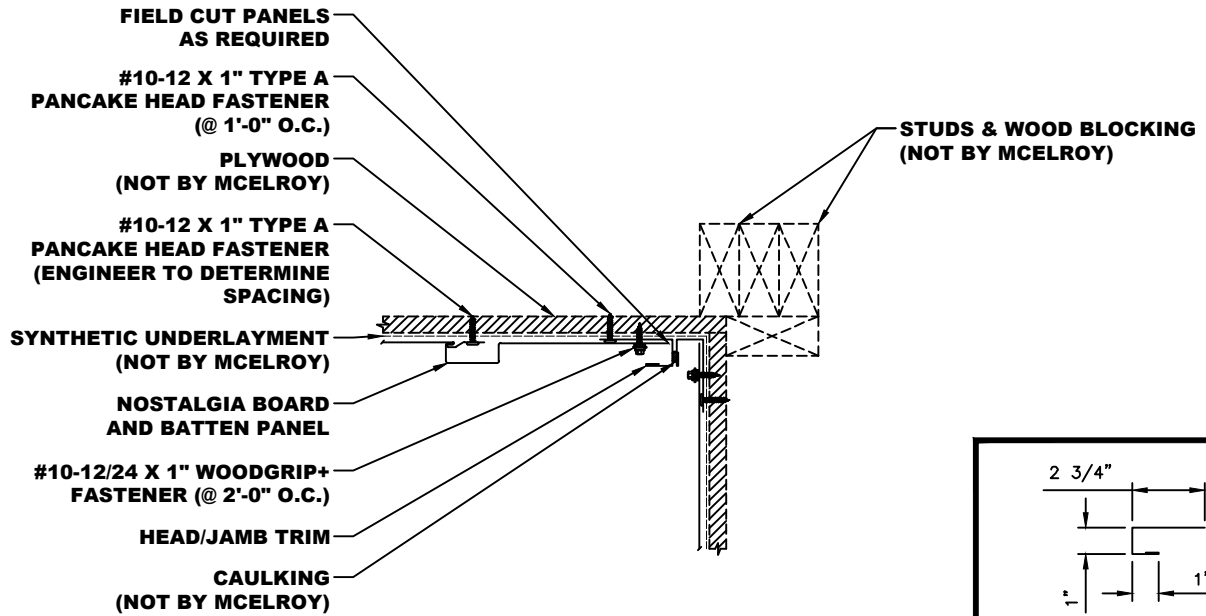
- NOTES:**
1. Attach Head/Jamb Trim to plywood with #10-12 x 1" Type A Pancake Head Fasteners at 1'-0" O.C. Apply a bead of color matched Titebond Tube Sealant between Head/Jamb Trims as shown in detail.
 2. Field cut Nostalgia Board and Batten Panel as required and fasten with #10-12/24 x 1" Woodgrip+ Fasteners at 2'-0" O.C. On side of Corner with full panel, attach with #10-12 x 1" Type A Pancake Head Fasteners at spacing determined by Engineer of Record.
 3. Attach Inside Corner Trim to Head/Jamb Trim with 43D Pop Rivets at 1'-8" Max. O.C. spacing. Trim Laps are to be 2" Laps.

*NOTE: SOME TRIM ITEMS AND FASTENERS HAVE BEEN REMOVED FOR CLARITY OF ISOMETRIC DETAIL.



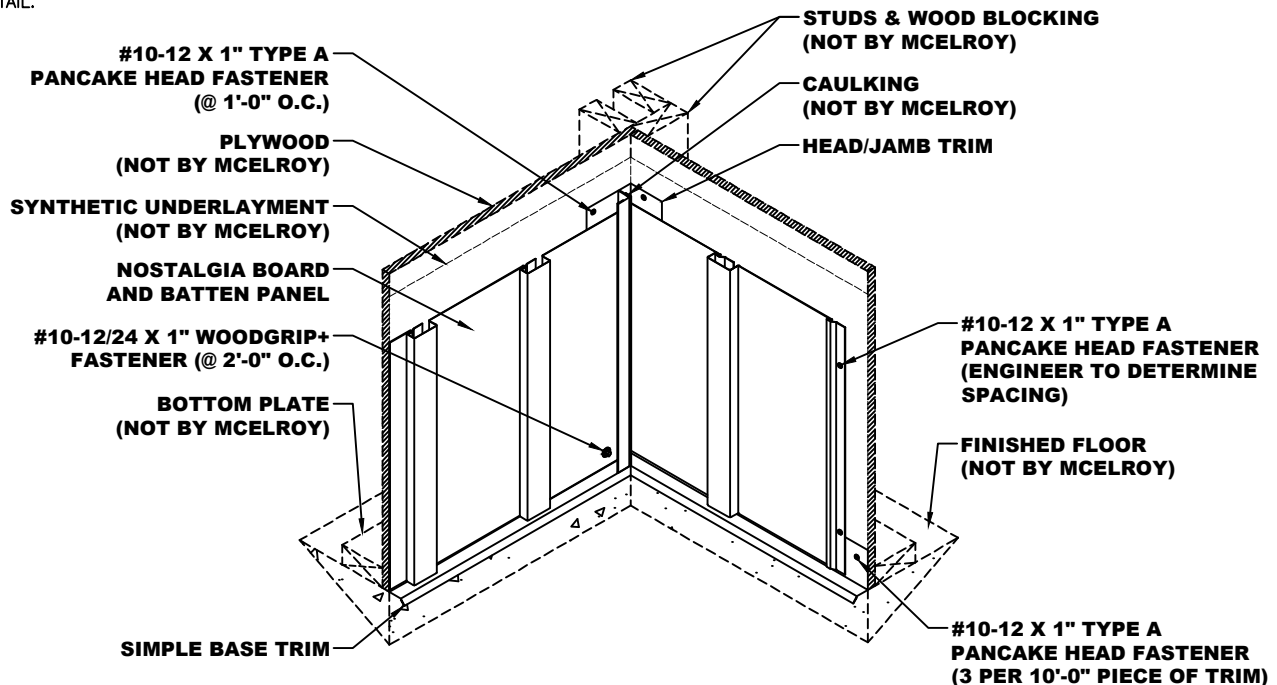
**NOSTALGIA BOARD
and BATTEN PANEL**

**INSIDE CORNER
(OFF MODULE) DETAIL**



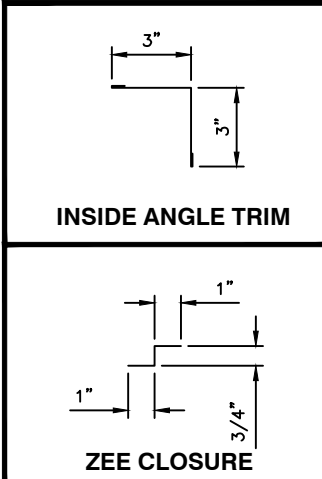
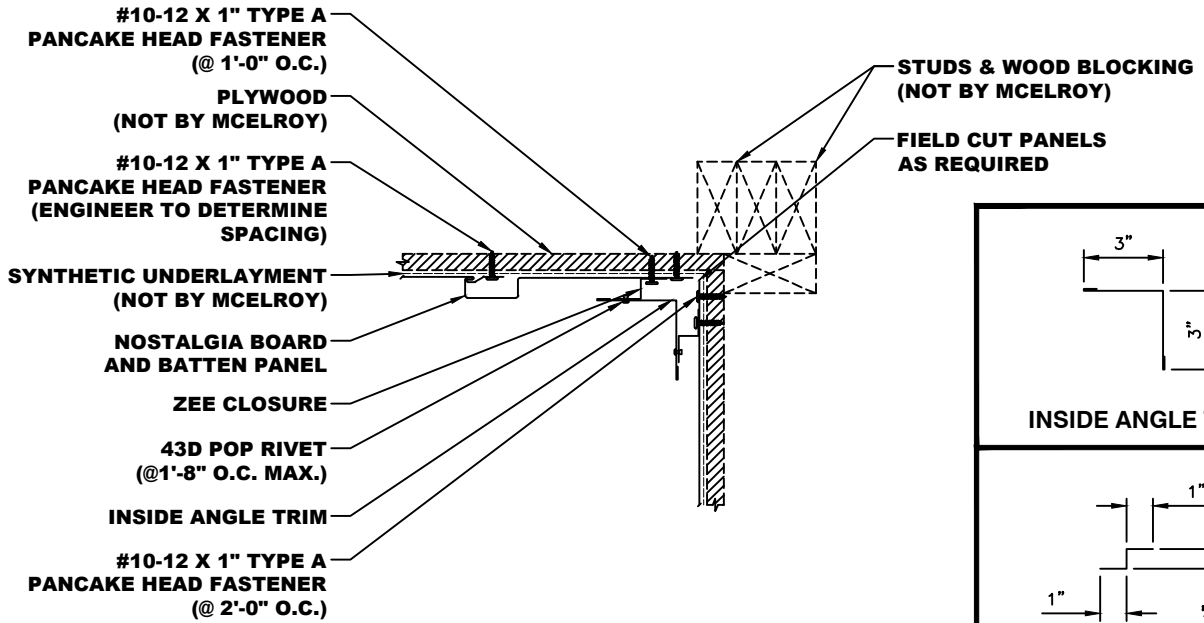
- NOTES:**
1. Attach Head/Jamb Trim to plywood with #10-12 x 1" Type A Pancake Head Fasteners at 1'-0" O.C. Apply a bead of color matched Titebond Tube Sealant between Head/Jamb Trims as shown in detail.
 2. Field cut Nostalgia Board and Batten Panels as required and fasten with #10-12/24 x 1" Woodgrip+ Fasteners at 2'-0" O.C.
 3. Attach Inside Corner Trim to Head/Jamb Trim with 43D Pop Rivets at 1'-8" Max. O.C. spacing. Trim Laps are to be 2" Laps.

*NOTE: SOME TRIM ITEMS AND FASTENERS HAVE BEEN REMOVED FOR CLARITY OF ISOMETRIC DETAIL.



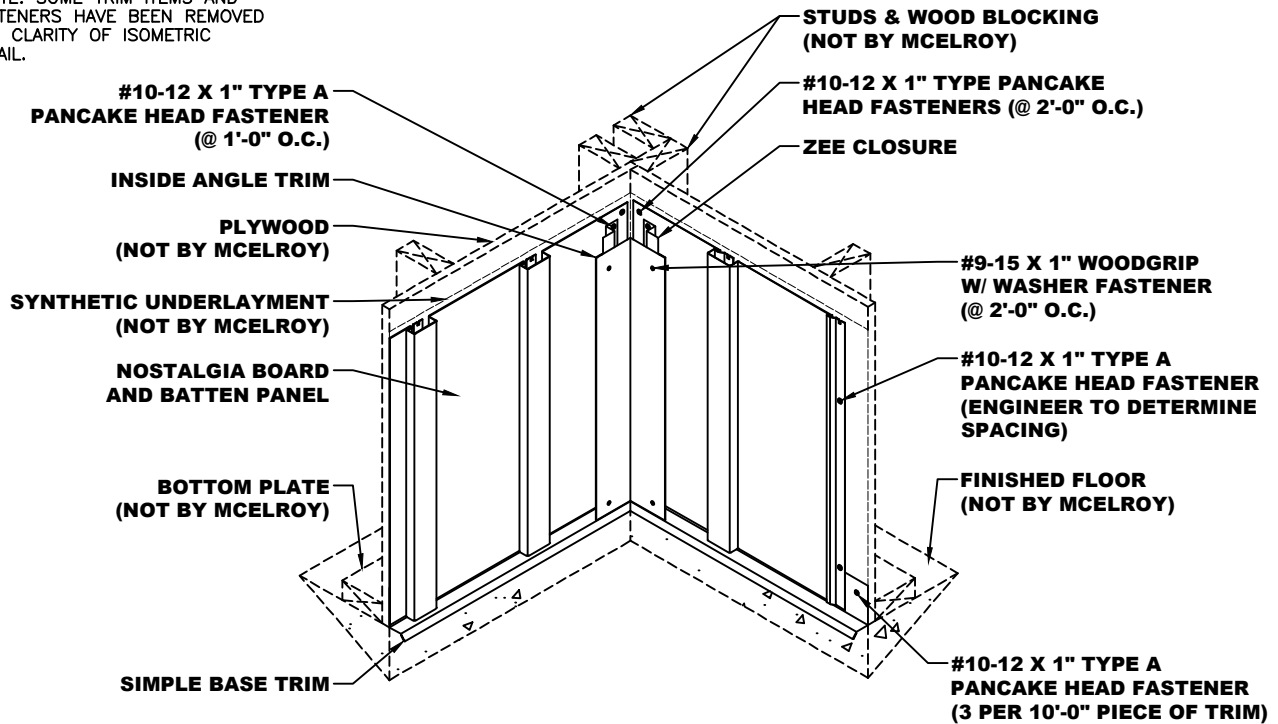
**NOSTALGIA BOARD
and BATTEN PANEL**

INSIDE CORNER (ALT.) DETAIL



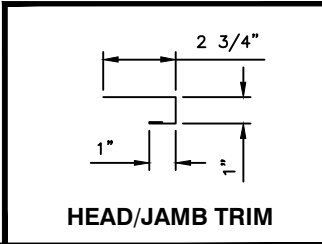
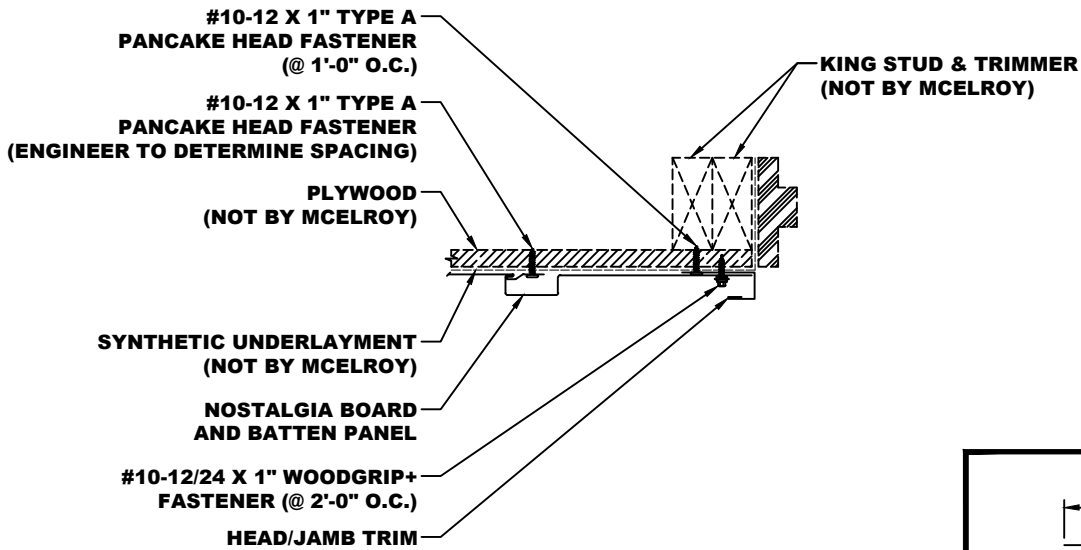
- NOTES:**
1. Field cut Nostalgia Board and Batten Panels as required and fasten with #10-12 x 1" Type A Pancake Head Fasteners at 2'-0" O.C.
 2. Install Zee Closure overtop of panels and attach with #10-12 x 1" Type A Pancake Head Fasteners at 1'-0" O.C.
 3. Attach Inside Angle Trim to Zee Closure with 43D Pop Rivets at 1'-8" Max. O.C. spacing. Trim Laps are to be 2" Laps.

*NOTE: SOME TRIM ITEMS AND FASTENERS HAVE BEEN REMOVED FOR CLARITY OF ISOMETRIC DETAIL.

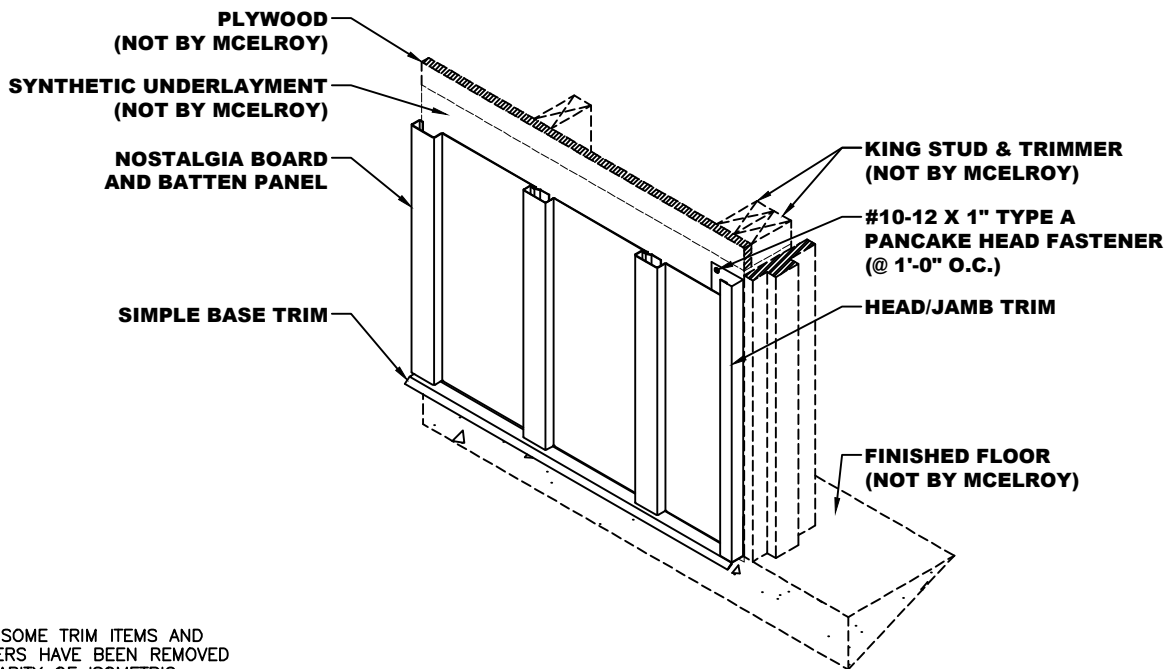


**NOSTALGIA BOARD
and BATTEN PANEL**

JAMB TRIM DETAIL



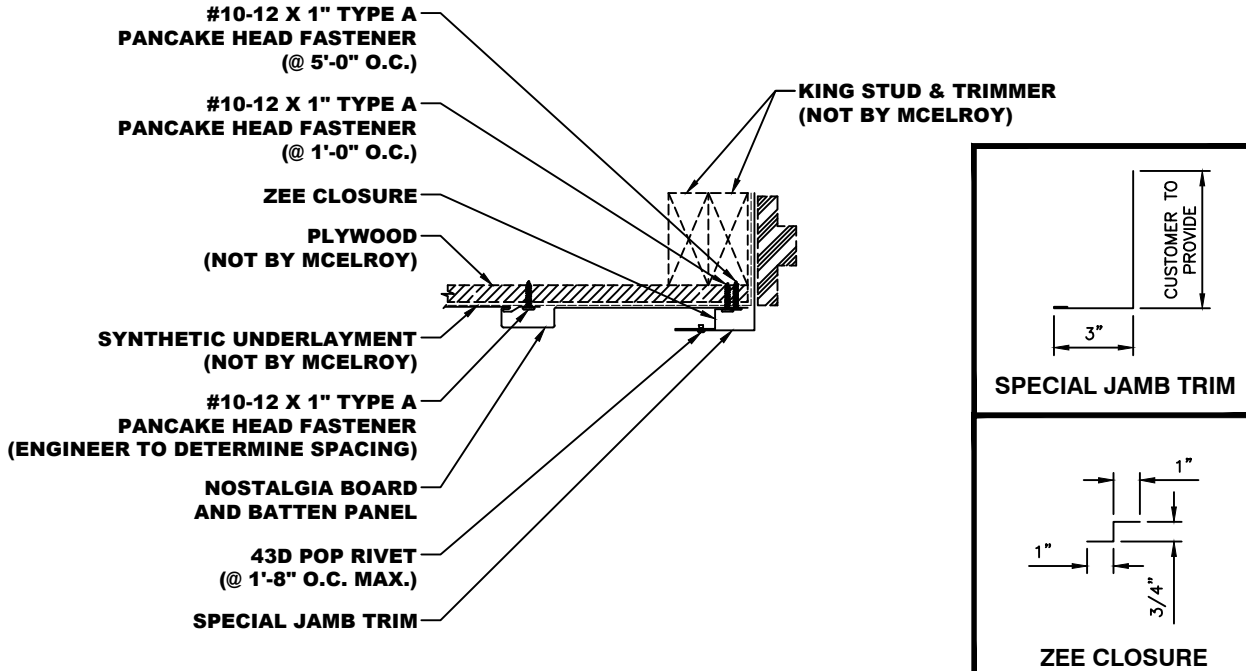
- NOTES:** 1. Attach Head/Jamb Trim to plywood with #10-12 x 1" Type A Pancake Head Fasteners at 1'-0" O.C.
 2. Field cut Nostalgia Board and Batten Panel as required and fasten with #10-12/24 x 1" Woodgrip+ Fasteners at 2'-0" O.C.



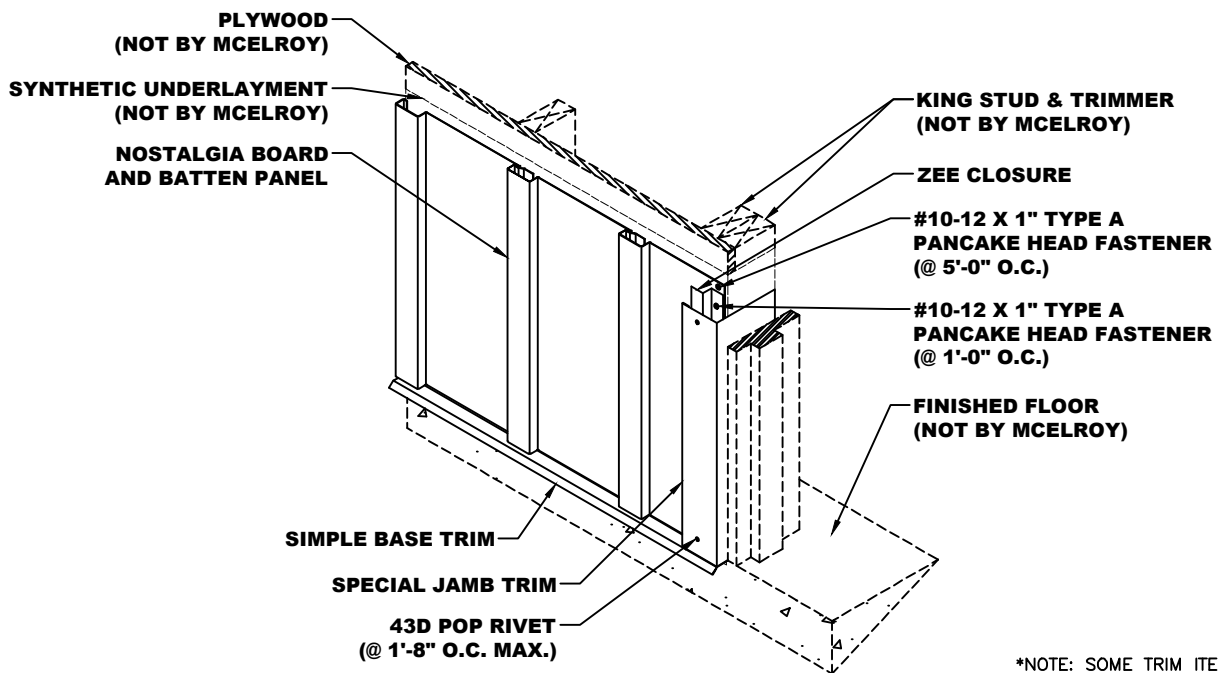
*NOTE: SOME TRIM ITEMS AND FASTENERS HAVE BEEN REMOVED FOR CLARITY OF ISOMETRIC DETAIL.

**NOSTALGIA BOARD
and BATTEN PANEL**

JAMB TRIM (ALT. - LOW) DETAIL



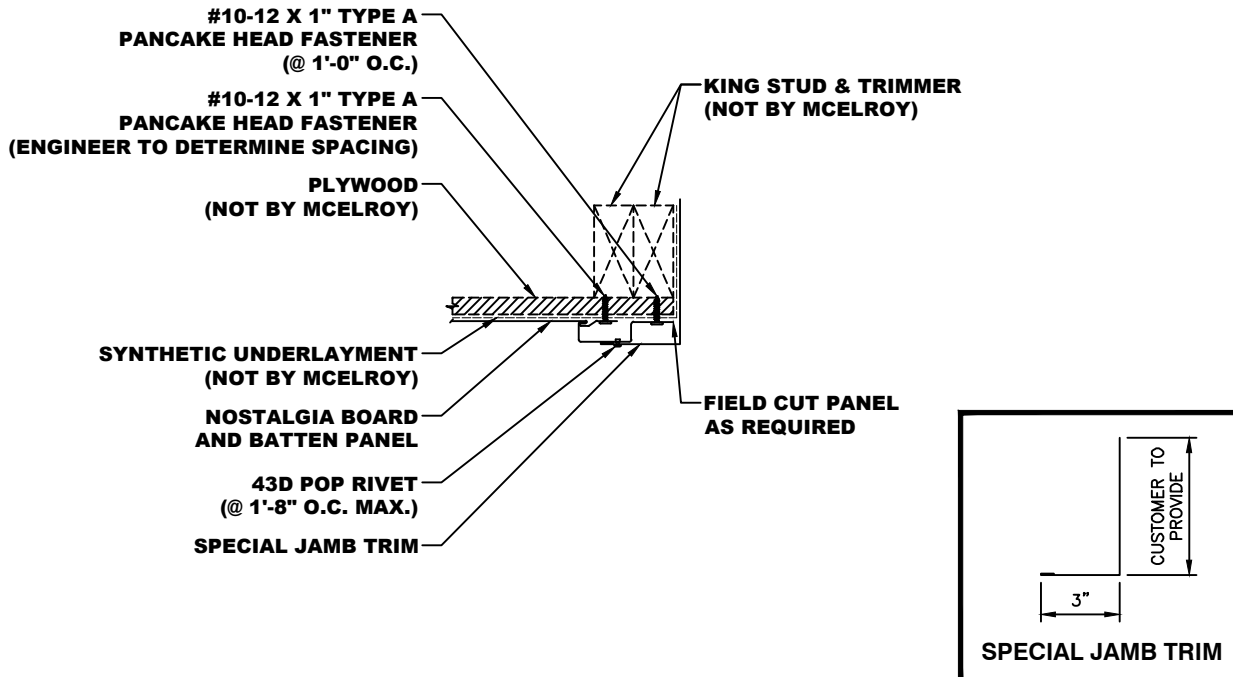
- NOTES:**
1. Field cut Nostalgia Board and Batten Panels as required and fasten with #10-12 x 1" Type A Pancake Head Fasteners at 5'-0" O.C.
 2. Install Zee Closure overtop of panels and attach with #10-12 x 1" Type A Pancake Head Fasteners at 1'-0" O.C.
 3. Attach Special Jamb Trim to Zee Closure with 43D Pop Rivets at 1'-8" Max. O.C. spacing. Trim Laps are to be 2" Laps.



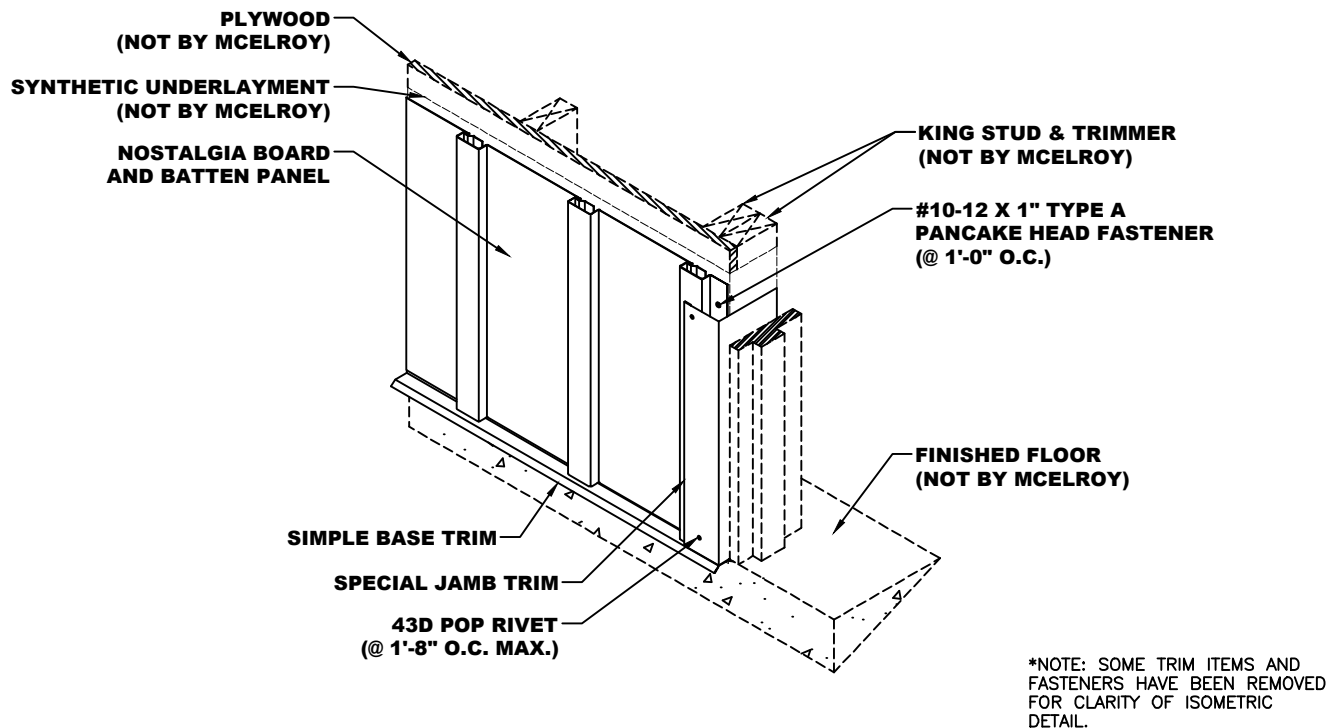
*NOTE: SOME TRIM ITEMS AND FASTENERS HAVE BEEN REMOVED FOR CLARITY OF ISOMETRIC DETAIL.

**NOSTALGIA BOARD
and BATTEN PANEL**

JAMB TRIM (ALT. - HIGH) DETAIL

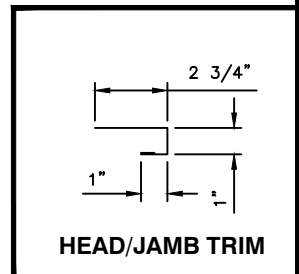
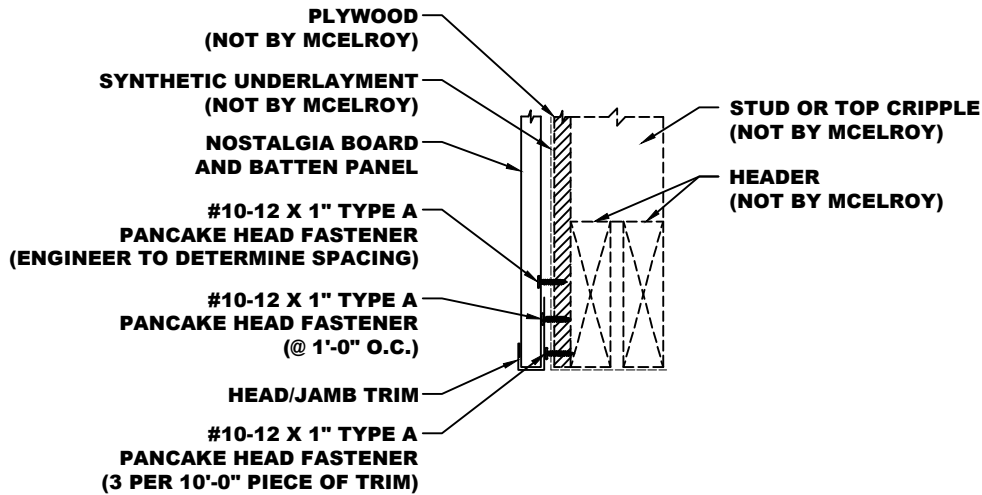


- NOTES:** 1. Field cut Nostalgia Board and Batten Panels as required and fasten with #10-12 x 1" Type A Pancake Head Fasteners at 1'-0" O.C.
 2. Attach Special Jamb Trim to batten rib of the Nostalgia Board and Batten Panel with 43D Pop Rivets at 1'-8" O.C. Max. spacing. Trim Laps are to be 2" Laps.

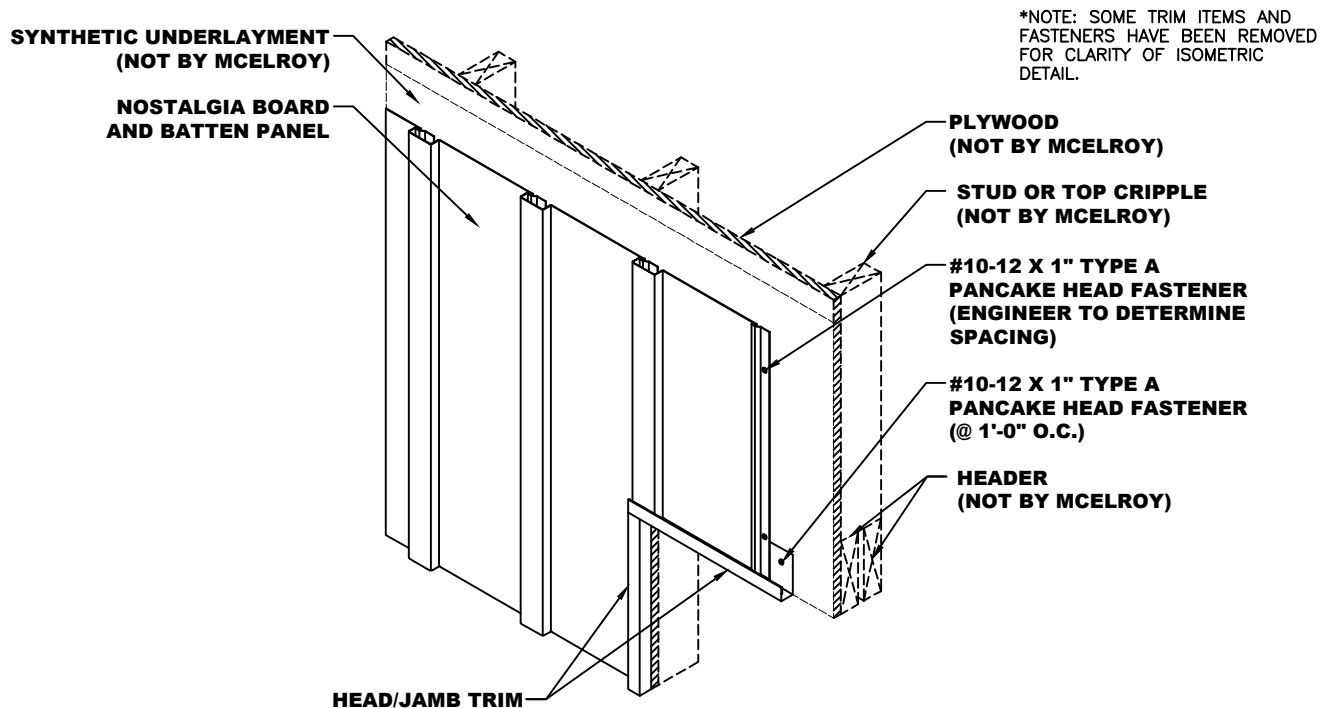


**NOSTALGIA BOARD
and BATTEN PANEL**

HEADER DETAIL

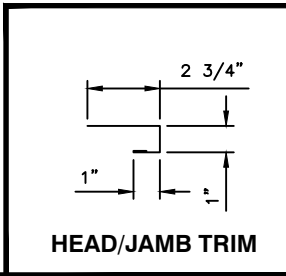
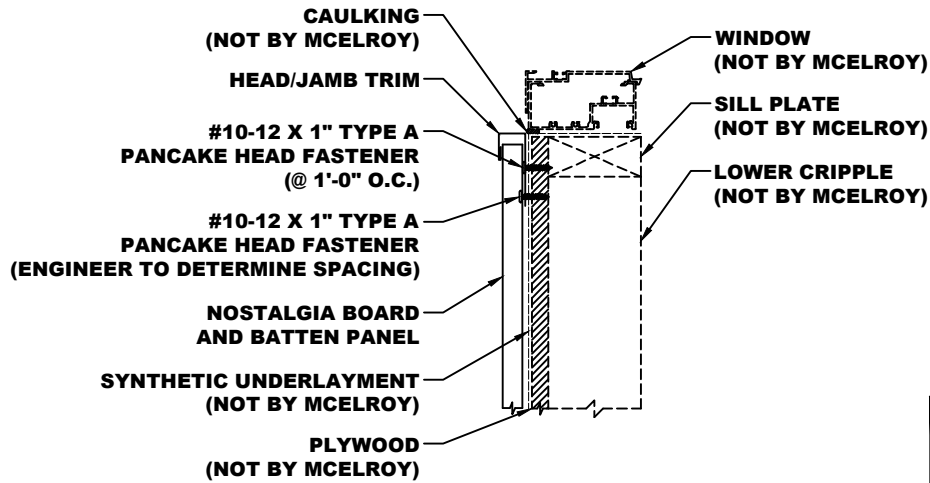


- NOTES:**
1. Head/Jamb Trim to run from edge of opening to edge of opening plus 2".
 2. Attach Head/Jamb Trim to plywood with #10-12 x 1" Type A Pancake Head Fasteners at 1'-0" O.C.
 3. Field cut Nostalgia Board and Batten Panel as required and fasten with #10-12 x 1" Type A Pancake Head Fasteners at Engineered Spacing.

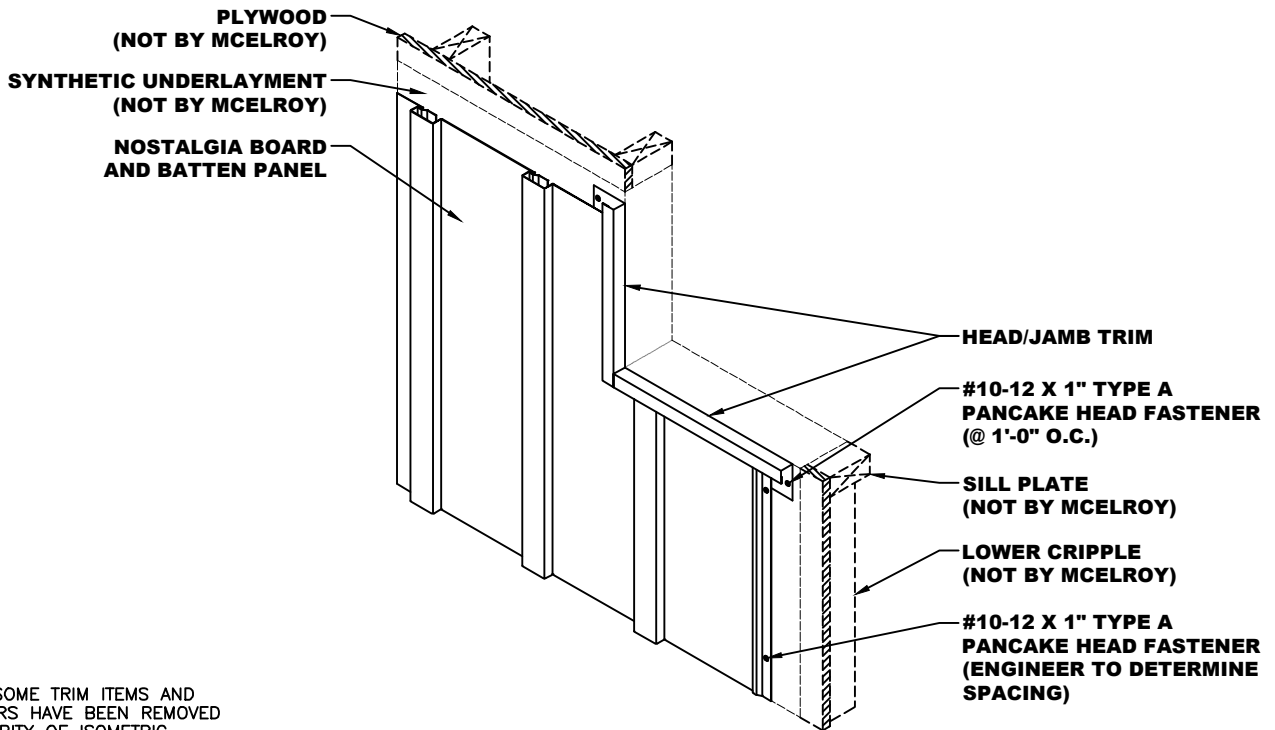


**NOSTALGIA BOARD
and BATTEN PANEL**

SILL DETAIL



- NOTES:**
1. Head/Jamb Trim to run from edge of opening to edge of opening.
 2. Attach Head/Jamb Trim to plywood with #10-12 x 1" Type A Pancake Head Fasteners at 1'-0" O.C.
 3. Field cut Nostalgia Board and Batten Panel as required and fasten with #10-12 x 1" Type A Pancake Head Fasteners at Engineered Spacing.

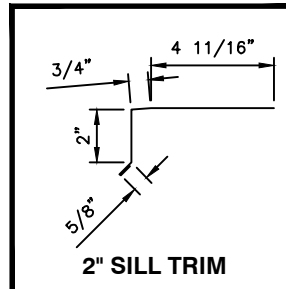
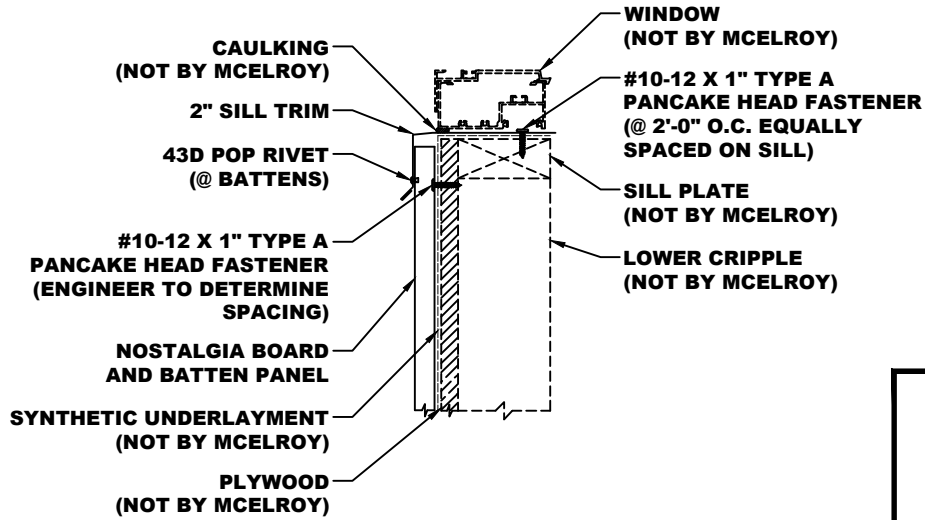


*NOTE: SOME TRIM ITEMS AND FASTENERS HAVE BEEN REMOVED FOR CLARITY OF ISOMETRIC DETAIL.

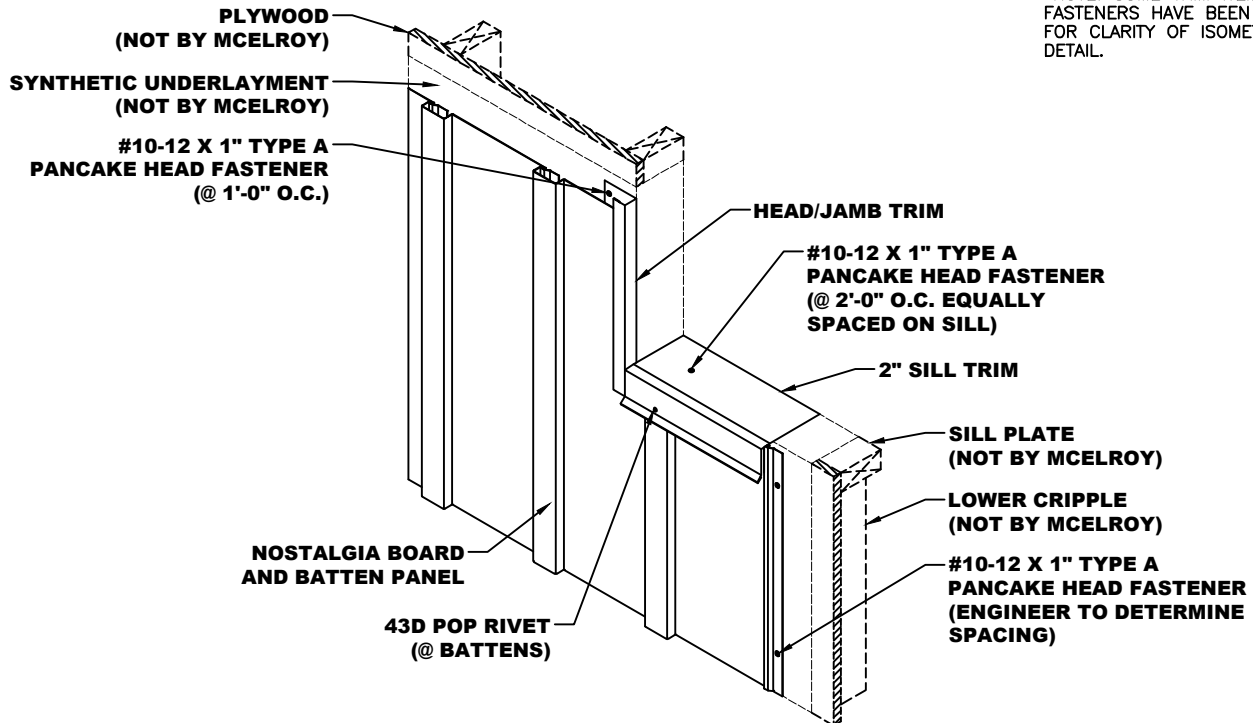


**NOSTALGIA BOARD
and BATTEN PANEL**

SILL (ALT.) DETAIL



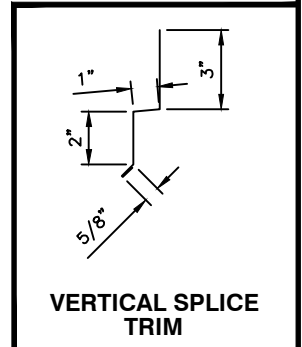
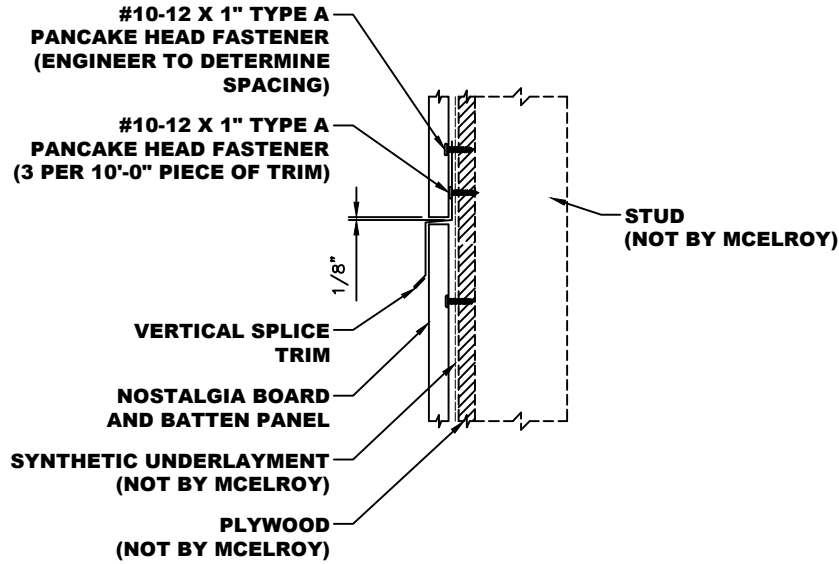
- NOTES:**
1. 2" Sill Trim to run from edge of opening to edge of opening.
 2. Attach 2" Sill Trim to sill plate with #10-12 x 1" Type A Pancake Head Fasteners at 2'-0" O.C.
 3. Field cut Nostalgia Board and Batten Panel as required and fasten with #10-12 x 1" Type A Pancake Head Fasteners at Engineered Spacing.
 4. Attach 2" Sill Trim to batten rib of the Nostalgia Board and Batten Panel with 43D Pop Rivets at each Batten Rib.



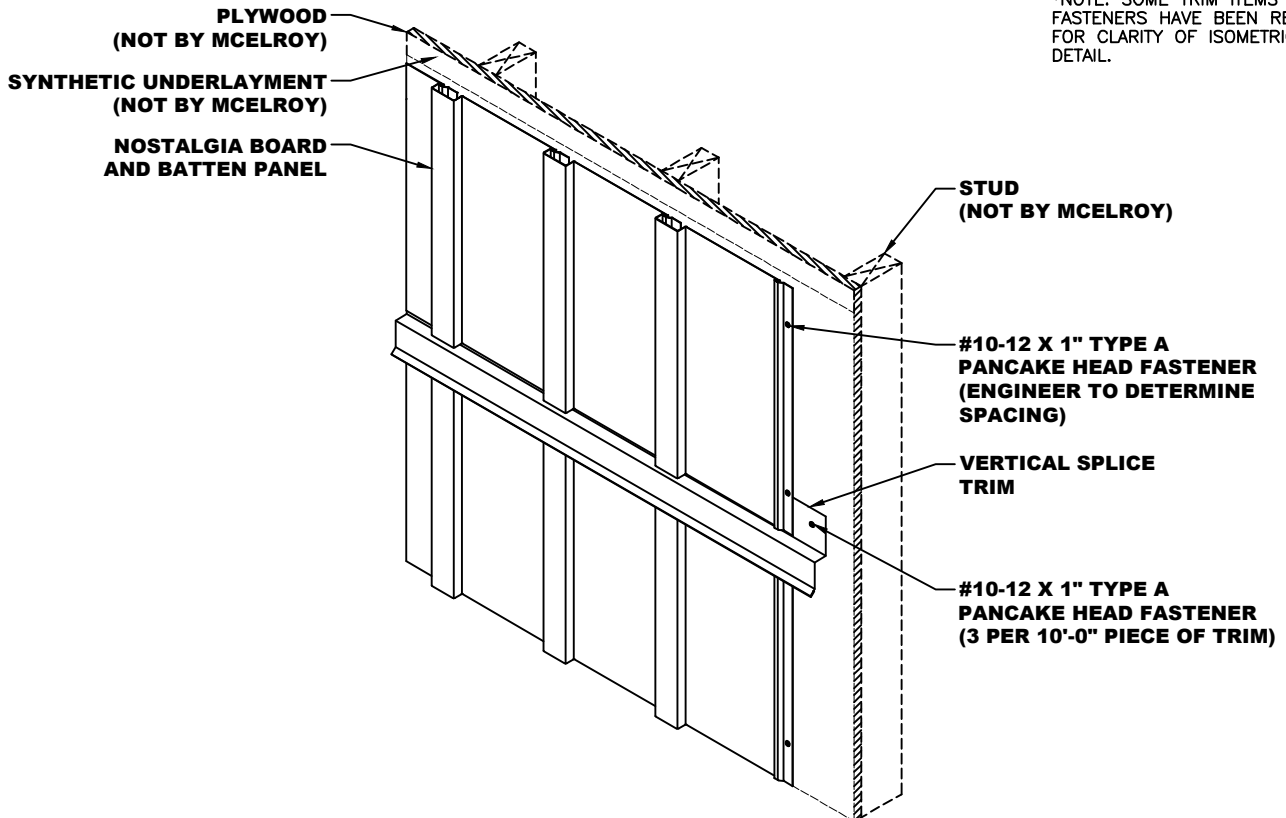
*NOTE: SOME TRIM ITEMS AND FASTENERS HAVE BEEN REMOVED FOR CLARITY OF ISOMETRIC DETAIL.

**NOSTALGIA BOARD
and BATTEN PANEL**

SPLICE DETAIL



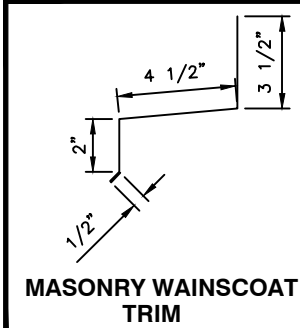
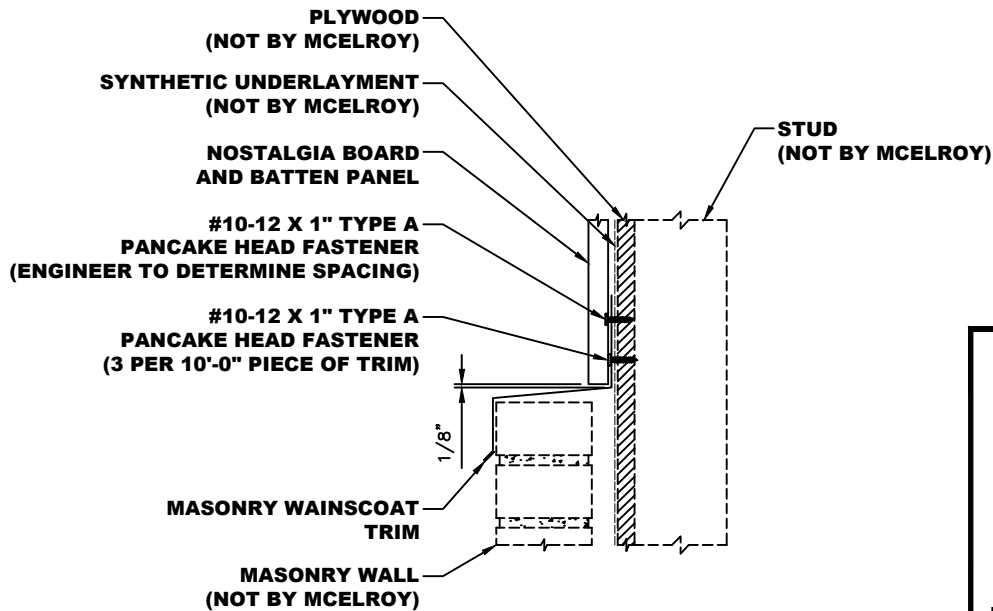
- NOTES:**
1. Install the lower Nostalgia Board and Batten Panel as shown.
 2. Install Vertical Splice Trim to plywood with #10-12 x 1" Type A Pancake Head Fasteners at (3) per 10'-0" piece of trim.
 3. Install the upper Nostalgia Board and Batten Panel as shown.



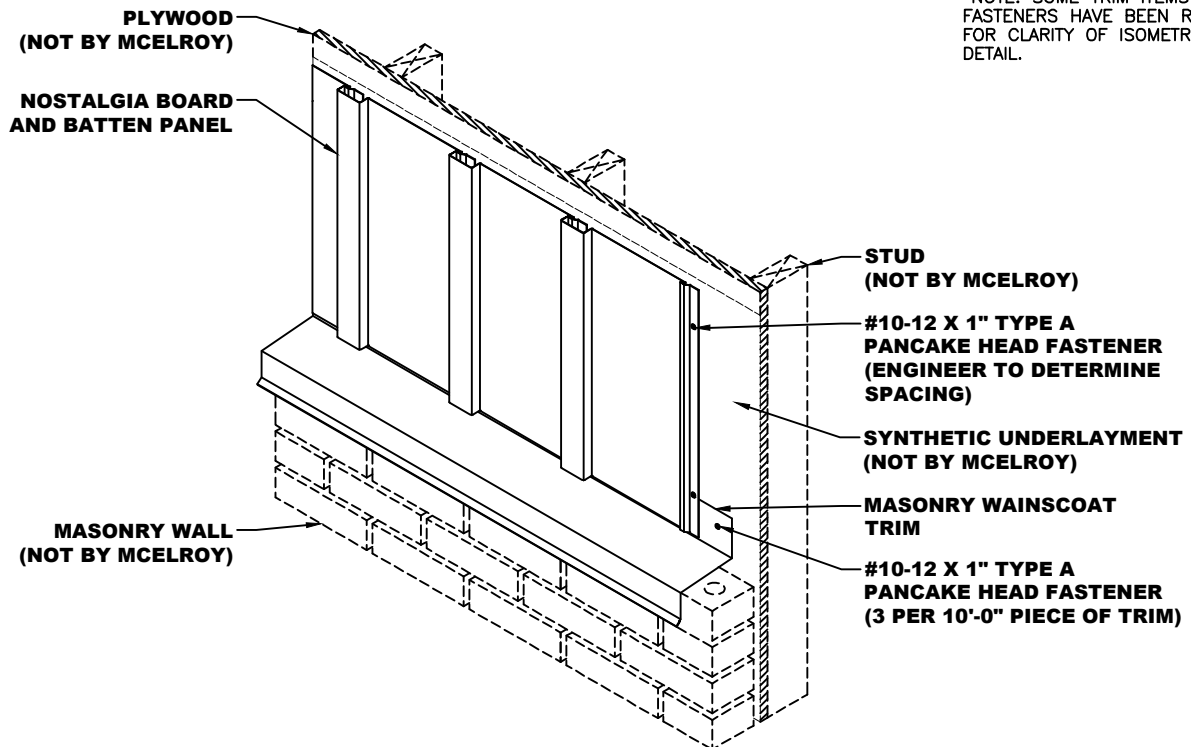
*NOTE: SOME TRIM ITEMS AND FASTENERS HAVE BEEN REMOVED FOR CLARITY OF ISOMETRIC DETAIL.

**NOSTALGIA BOARD
and BATTEN PANEL**

MASONRY WAINSCOAT DETAIL

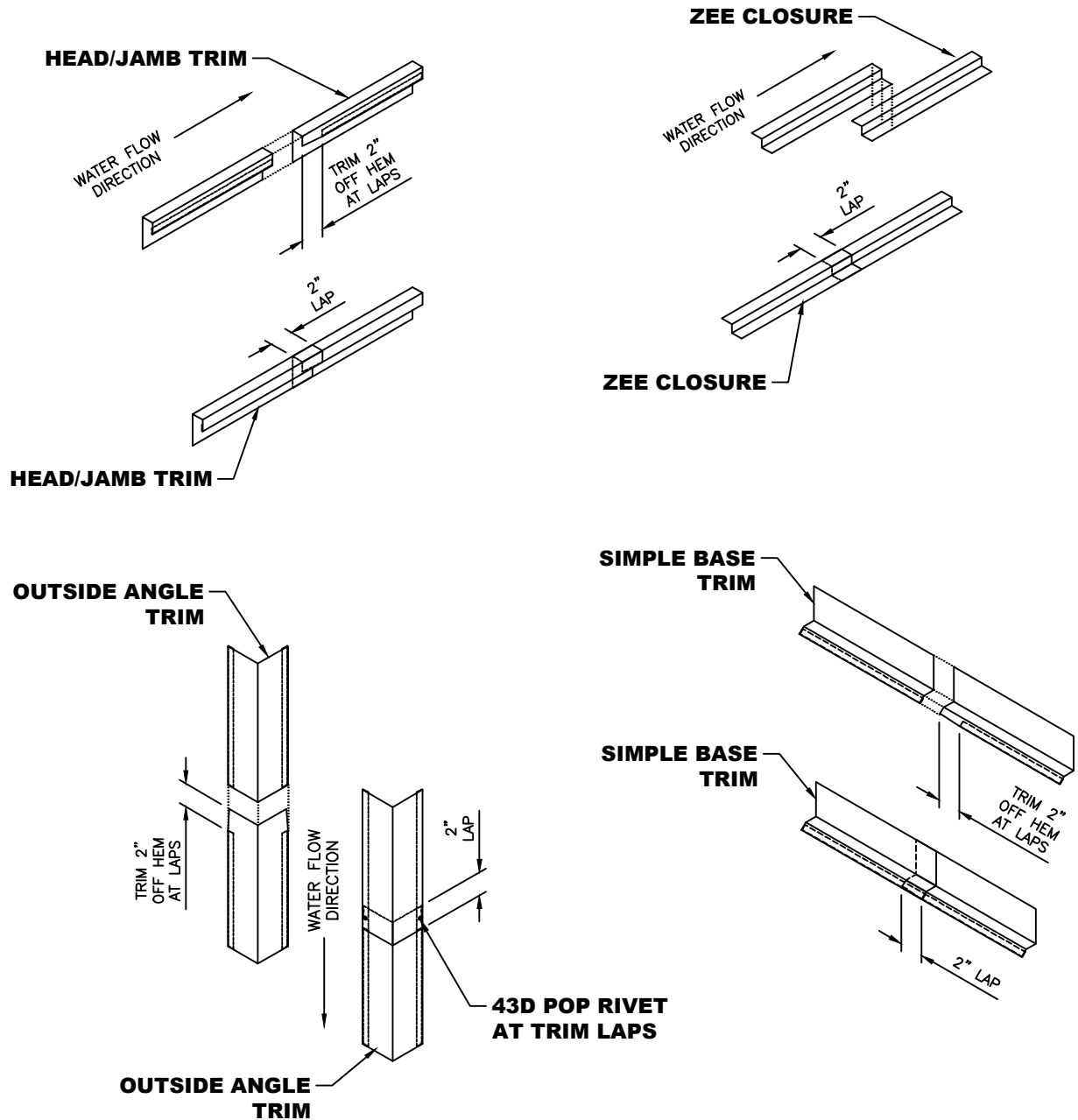


- NOTES:**
1. Set Masonry Wainscoat Trim in place with Brick Veneer edge.
 2. Attach Masonry Wainscoat Trim to plywood with #10-12 x 1" Type A Pancake Head Fasteners at (3) per 10'-0" piece of trim.
 3. Install Nostalgia Board and Batten Panel as shown.



*NOTE: SOME TRIM ITEMS AND FASTENERS HAVE BEEN REMOVED FOR CLARITY OF ISOMETRIC DETAIL.





NOTE: 1. Apply specified Roll Tape Sealant or a 3/16" Ø bead of Tube Butyl 1 1/2" back from the edge of the trim. Also, apply a piece of tape sealant or bead of Tube Butyl as a Pigtail to completely seal joint.
 2. Notch the hems on the upper trim piece 2" so that the trim will fit flat in the lap joint.
 3. Secure trim laps with Pop Rivets as shown above.



☆ MANUFACTURING LOCATIONS ● SERVICE CENTERS ★ MANUFACTURING AND SERVICE CENTER



CORPORATE OFFICE
1500 HAMILTON RD.
BOSSIER CITY, LA 71111

MANUFACTURING LOCATIONS

ADELANTO, CA	ASHBURN, GA	BOSSIER CITY, LA	CLINTON, IL	DIAMOND, MO
HOUSTON, TX	LEWISPORT, KY	LOCKHART, TX	MARSHALL, MI	MAUSTON, WI
MERKEL, TX	PEACHTREE CITY, GA	SUNNYVALE, TX	WINCHESTER, VA	



17031 Koala Road Adelanto, CA 92301	5215 Leo St. Alexandria, LA 71301	1007 Wilso Dr, Baltimore, MD 21223	1500 Hamilton Rd. Bossier City, LA 71111
3052 Yadkin Road Chesapeake, VA 23323	9476 Meadowbrook Rd. Clinton, IL 61727	3215 Highway 59 Diamond, MO 64840	390 N. Valley Dell Dr. Fenton, MO 63026
409 Lovejoy Road Ft. Walton Beach, FL 32548	3014 Lincoln Court Garland, TX 75041	1440 Aldine Bender Road Houston, TX 77032	221 Benelli Drive Hutto, TX 78634
10504 E. 59th Street Indianapolis, IN 46236	32 Industrial Circle Lancaster, PA 17601	9435 US Hwy. 60 W. Lewisport, KY 42351	2701 Cahill Street Lockhart, TX 78644
1020 Veterans Street Mauston, WI 53948	5123 Terminal Dr. McFarland, WI 53558	514 Cave Road Nashville, TN 37210	8304 Hwy. 70 E. North Little Rock, AR 72117
613 North Bierdeman Rd. Pearl, MS 39208	8511 Industrial Drive Pearland, TX 77584	2755 Hwy 60 Pendergrass, GA 30567	7450 Tower Street Richland Hills, TX 76118
8200 Berry Ave. Suite 100 Sacramento, CA 95828	1365 Dean Forest Rd. Savannah, GA 31405	7355 Oakley Industrial Blvd. Union City, GA 30291	1144 Silstar Rd. West Columbia, SC 29170
325 McGhee Rd. Winchester, VA 22603			

Website: www.mcelroymetal.com • E-mail: info@mcelroymetal.com