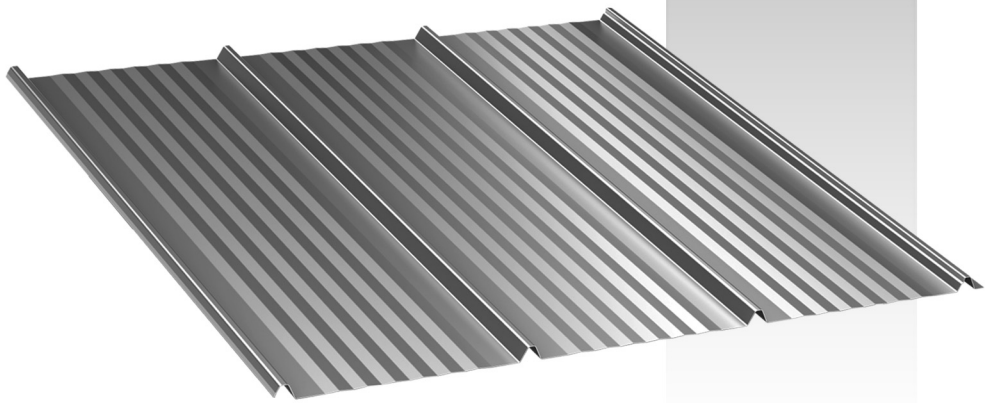


# MODERN-RIB



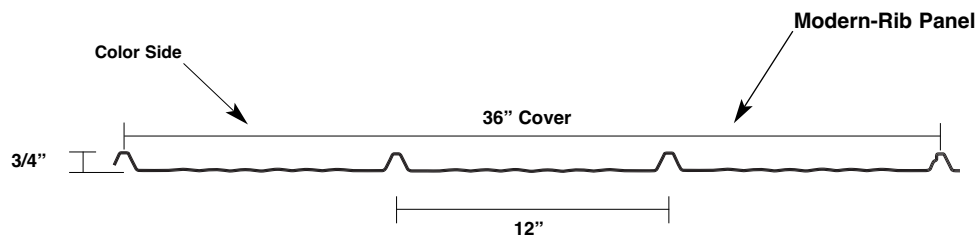
Panel/Trim/Accessories



# MODERN-RIB



## MODERN-RIB



## Modern-Rib Load Tables and Section Properties

For any available Testing Data, Section Properties, or Load Tables, please visit [www.mcelroymetal.com](http://www.mcelroymetal.com). For additional information, please contact the **McElroy Engineering Department at 1-800-950-9082**.

### Details:

- Minimum slope: 1:12
- Tape sealant is required in seams (side laps) on slopes 3:12 to 1:12
- Standard panel lengths up to 40' (Please inquire for longer lengths)
- Oil canning is a natural occurrence in metal panels and is not a cause for panel rejection

### Panel Options:

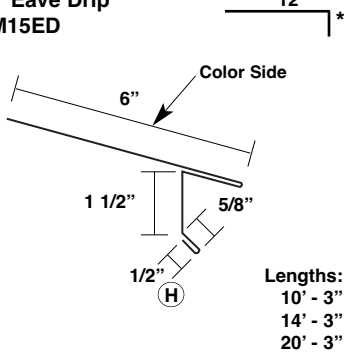
- Coating:
  - Kynar 500® (PVDF)
  - Silicone Modified Polyester (SMP)
  - Acrylic Coated Galvalume®
- Substrate:
  - Standard 29 GA Galvalume®
  - Optional 26 GA Galvalume
  - 24 GA Galvalume

# MODERN-RIB

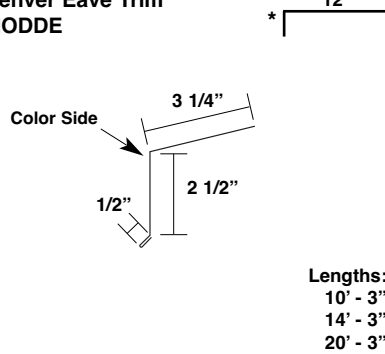
## TRIM

26 Ga.

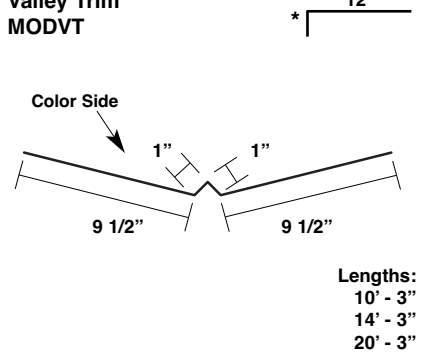
**M 1.5" Eave Drip**  
MODM15ED



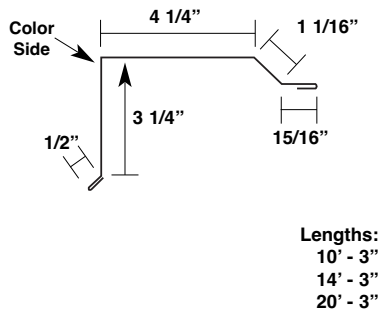
**Denver Eave Trim\***  
MODDE



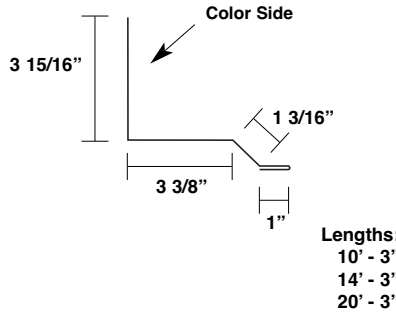
**Valley Trim\***  
MODVT



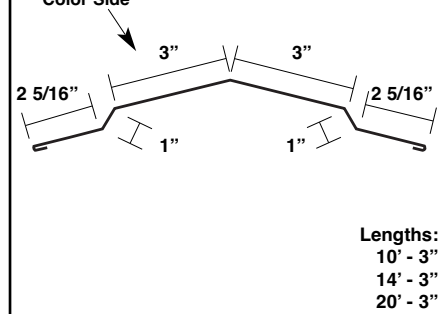
**Denver Rake Trim**  
MODDR



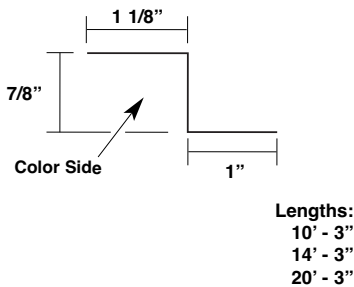
**Step Rake Tie-In**  
MODSEW



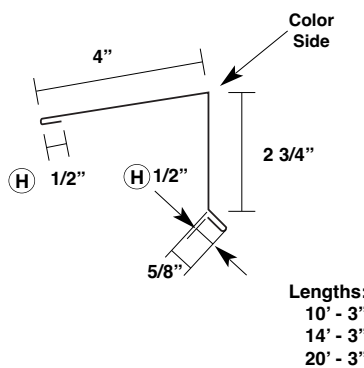
**Ridge Cap\***  
MODRC13



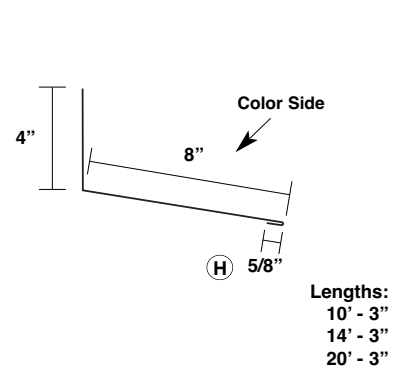
**Zee Closure**  
MODZC



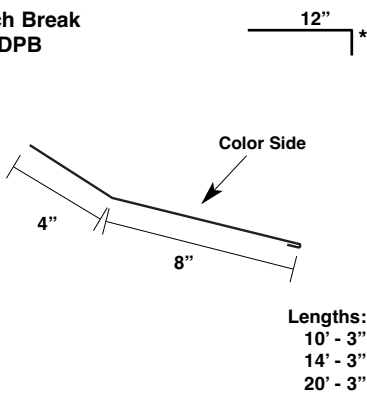
**M 2.75" Peak Trim**  
MODM275P



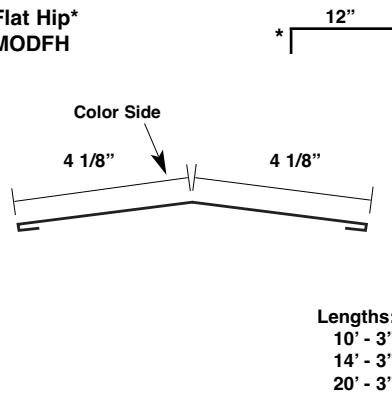
**High Side Tie-In Trim**  
MODSW



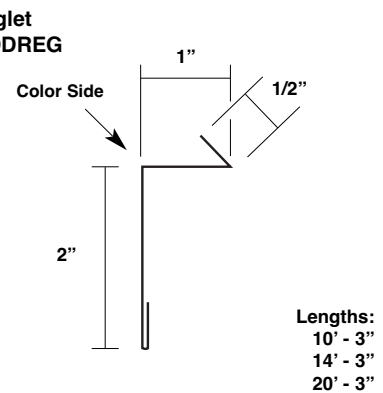
**Pitch Break**  
MODPB



**Flat Hip\***  
MODFH



**Reglet**  
MODREG



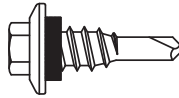
\*specify roof pitch

(H) Indicates an open hem - All other hems are closed.

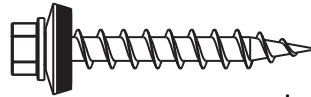
# MODERN-RIB

## ACCESSORIES

1/4 - 14 x 7/8" LAPTEK Self Driller  
(Part # varies by color)

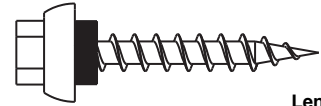


#12-8 Woodgrip XG  
(Part # varies by color)



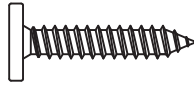
Lengths:  
1"  
1 1/2"  
2"  
2 1/2"

#12-8 WoodZAC XG  
(Part # varies by color)

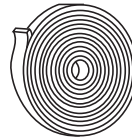


Lengths:  
1"  
1 1/2"  
2"  
2 1/2"

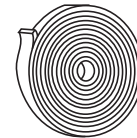
#10 - 12 x 1" Type A Pancake Head  
Woodgrip  
Item #: 36116001



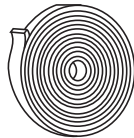
Roll Tape Sealant 3/32" x 1" x 45'  
Item #: 95335



Roll Tape Sealant 3/32" x 3/8" x 45'  
Item #: 95340



Roll Tape Sealant 1/8" x 1" x 30'  
Item #: 95345



Sikalastomer 511 Butyl Tube Sealant  
Item #: 95342



Titebond Caulk Sealant  
(Part # varies by color)



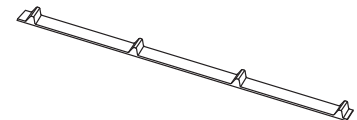
White Urethane Sealant  
Item #: 95320



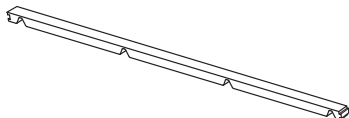
Touch-Up Paint Pen  
(Part # varies by color)



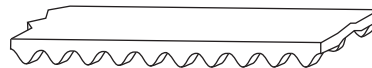
Inside Closure  
With Adhesive: 256895  
Without Adhesive: 256892



Outside Closure  
With Adhesive: 256894  
Without Adhesive: 256893



Versa Vent  
3" X 1"  
Item #: 98105



Lengths:  
10 pcs @ 10' = 100LF  
Per Box  
Not Inventoried at all Locations



---

# *MODERN-RIB*

---

## **NOTES**



☆ MANUFACTURING LOCATIONS ● SERVICE CENTERS ★ MANUFACTURING AND SERVICE CENTER



**CORPORATE OFFICE**  
 1500 HAMILTON RD.  
 BOSSIER CITY, LA 71111

**MANUFACTURING LOCATIONS**

- |              |                    |                  |                |             |
|--------------|--------------------|------------------|----------------|-------------|
| ADELANTO, CA | ASHBURN, GA        | BOSSIER CITY, LA | CLINTON, IL    | DIAMOND, MO |
| HOUSTON, TX  | LEWISPORT, KY      | MARSHALL, MI     | MAUSTON, WI    | MERKEL, TX  |
|              | PEACHTREE CITY, GA | SUNNYVALE, TX    | WINCHESTER, VA |             |

**McELROY METAL**  
**SERVICE**  
 CENTER

- |  |  |   |  |
|--|--|---|--|
| 17031 Koala Road<br>Adelanto, CA 92301               | 5215 Leo St.<br>Alexandria, LA 71301           | 1007 Wilso Dr,<br>Baltimore, MD 21223             | 1500 Hamilton Rd.<br>Bossier City, LA 71111    |
| 3052 Yadkin Road<br>Chesapeake, VA 23323             | 9476 Meadowbrook Rd.<br>Clinton, IL 61727      | 3215 Highway 59<br>Diamond, MO 64840              | 390 N. Valley Dell Dr.<br>Fenton, MO 63026     |
| 409 Lovejoy Road<br>Ft. Walton Beach, FL 32548       | 3014 Lincoln Court<br>Garland, TX 75041        | 1440 Aldine Bender Road<br>Houston, TX 77032      | 10504 E. 59th Street<br>Indianapolis, IN 46236 |
| 32 Industrial Circle<br>Lancaster, PA 17601          | 9435 US Hwy. 60 W.<br>Lewisport, KY 42351      | 1020 Veterans Street<br>Mauston, WI 53948         | 5123 Terminal Dr.<br>McFarland, WI 53558       |
| 514 Cave Road<br>Nashville, TN 37210                 | 8304 Hwy. 70 E.<br>North Little Rock, AR 72117 | 613 North Bierdeman Rd.<br>Pearl, MS 39208        | 8511 Industrial Drive<br>Pearland, TX 77584    |
| 2755 Hwy 60<br>Pendergrass, GA 30567                 | 7450 Tower Street<br>Richland Hills, TX 76118  | 8200 Berry Ave. Suite 100<br>Sacramento, CA 95828 | 1365 Dean Forest Rd.<br>Savannah, GA 31405     |
| 7355 Oakley Industrial Blvd.<br>Union City, GA 30291 | 1144 Silstar Rd.<br>West Columbia, SC 29170    | 325 McGhee Rd.<br>Winchester, VA 22603            |  |

Website: [www.mcelroymetal.com](http://www.mcelroymetal.com) • E-mail: [info@mcelroymetal.com](mailto:info@mcelroymetal.com)