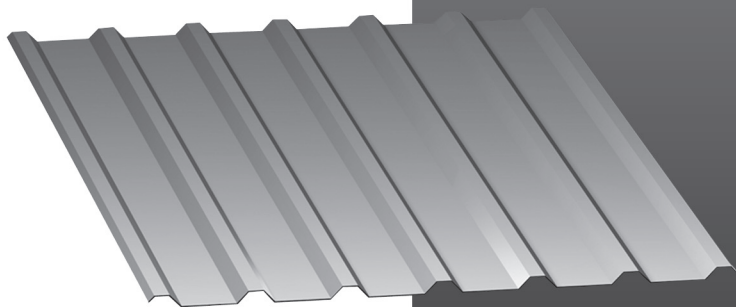


U-PANEL

INSTALLATION



GENERAL NOTES

The details shown on the following pages are suggestions or guidelines for installing the U-Panel wall and roof panel system. The installation details shown here are proven methods of construction, but they are not intended to cover all building requirements, designs or codes. The details may require changes or revisions due to individual project conditions.

Installation procedures shall be in accordance with the manufacturer's printed instructions, details or approved shop drawings. Installers should thoroughly familiarized themselves with all instructions prior to beginning the installation process.

The designer/installer is responsible to ensure the following:

That the details here meet the particular building requirements.

That adequate water tightness is maintained.

That a proper uniform substructure is used to avoid panel distortion and that the substructure meets necessary code requirements.

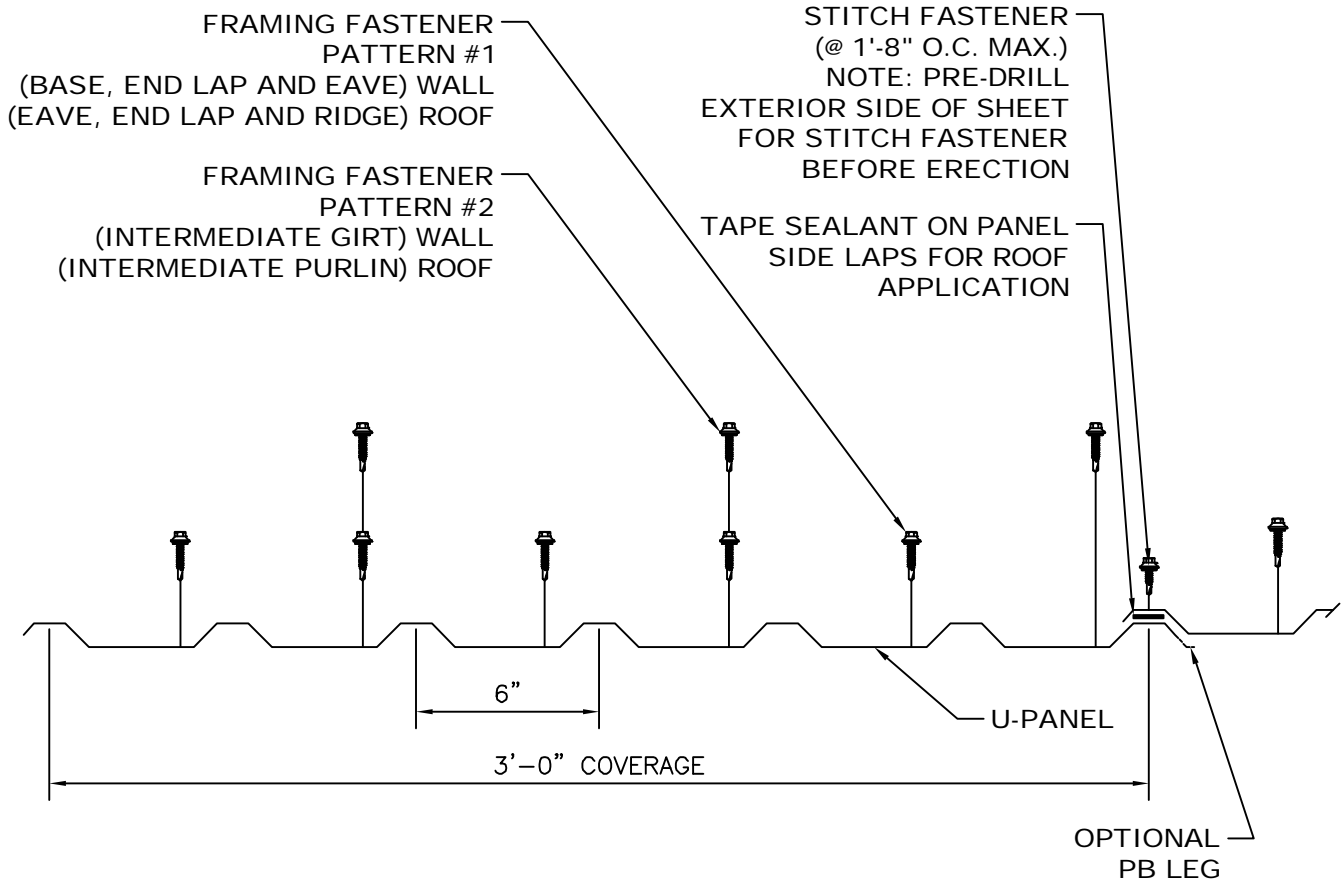
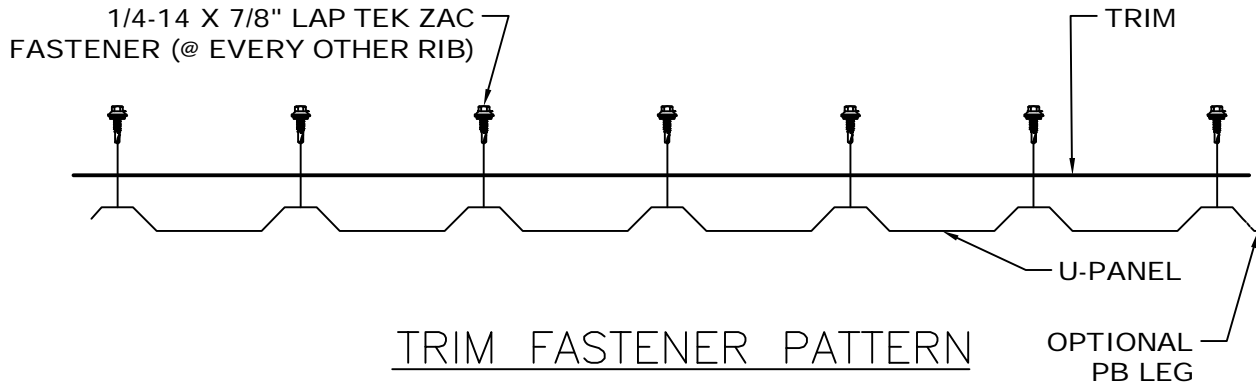
That all supporting members have been examined and are straight, level and plumb.

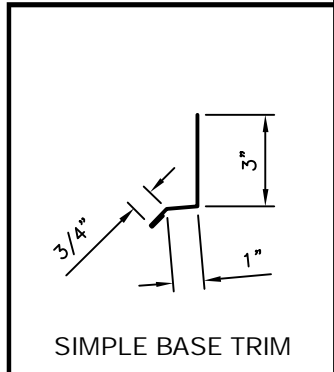
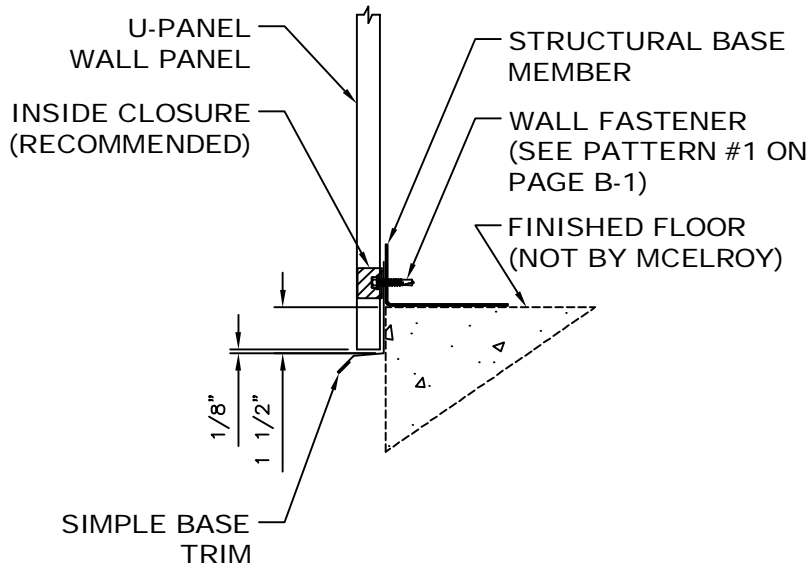
McElroy Metal can provide all flashings and accessories shown in the installation drawings unless noted otherwise. Panels, flashing and trim shall be installed true and in proper alignment with any exposed fasteners equally spaced for the best appearance. Sealant shall be field applied on a clean, dry surface.

Some field cutting and fitting of panels and flashings is to be expected and to be considered a part of normal installation work. Workmanship shall be of the best industry standards and with installation performed by experienced metal craftsmen.

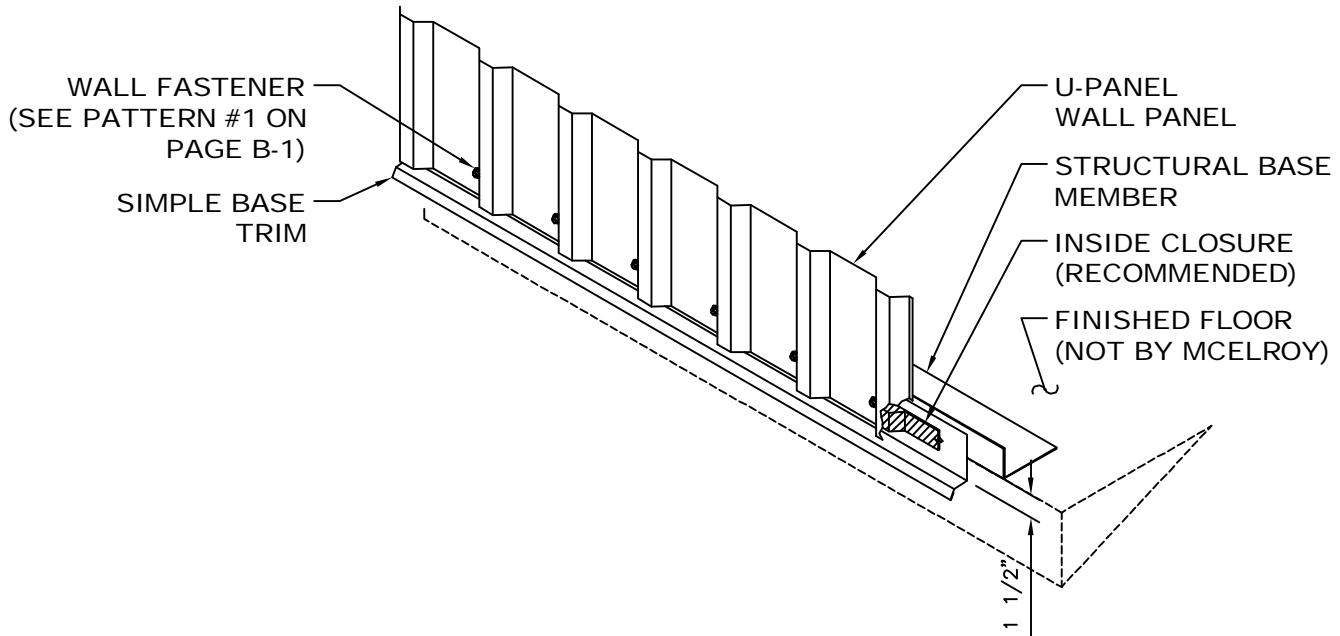
Oil canning of metal panels is inherent in the product and is not a cause for rejection.

Contents of this manual are subject to change without notice. To confirm this book is the most current copy, please visit McElroy Metal's website at www.mcelroymetal.com.

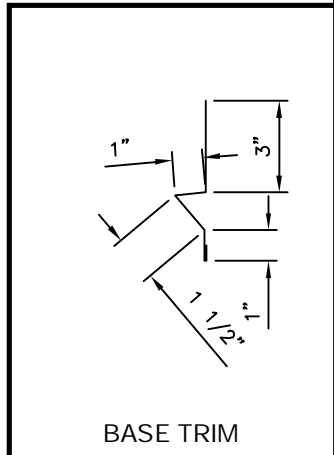
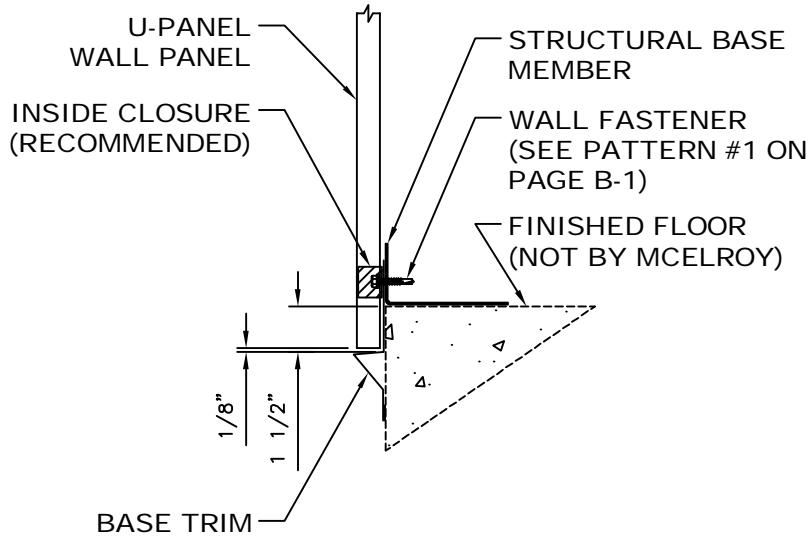




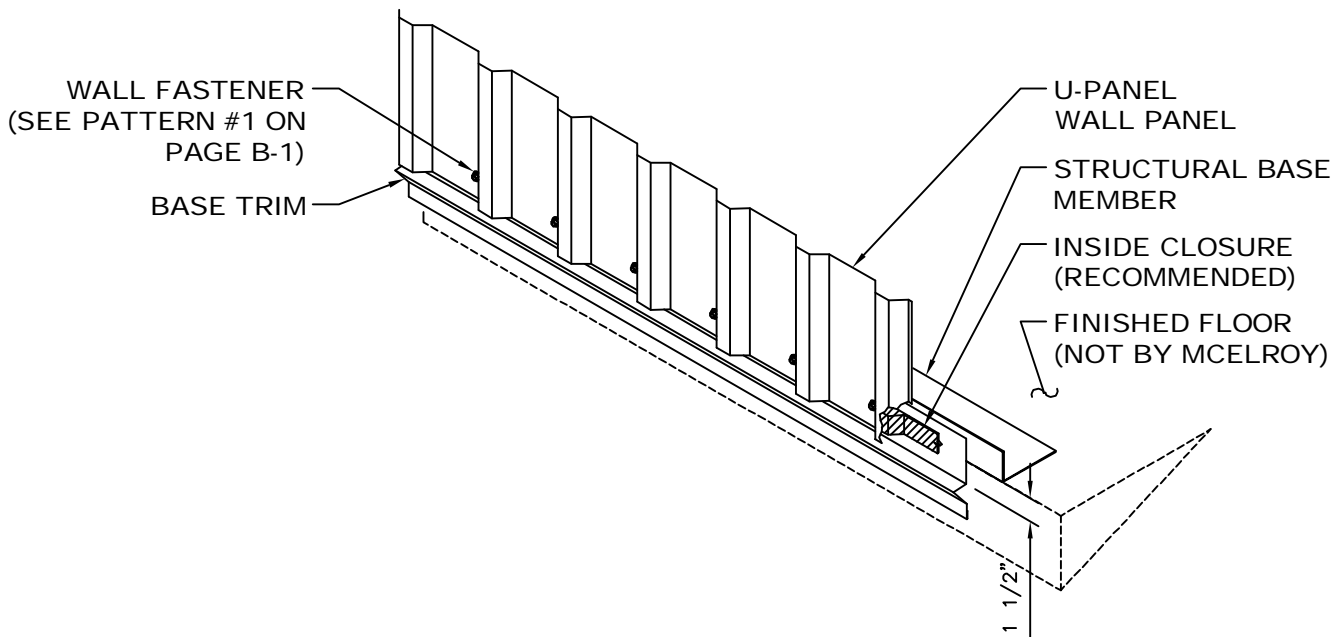
- NOTES:
1. Structural Base Member set flush with edge of Finished Floor.
 2. Set Simple Base Trim 1 1/2" down face of finished floor.
 3. Set Closure in position on Simple Base Trim.
 4. Set U-Panel Wall Panel into place. Make sure to leave a 1/8" gap between trim and panel.
 5. Attach panel with Framing Fasteners per Fastening Pattern #1 shown on page B-1.



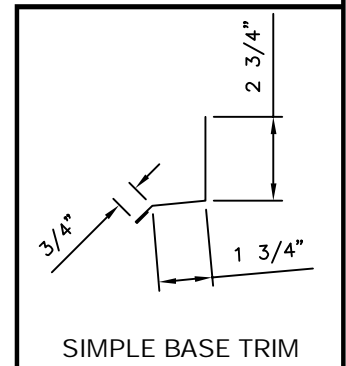
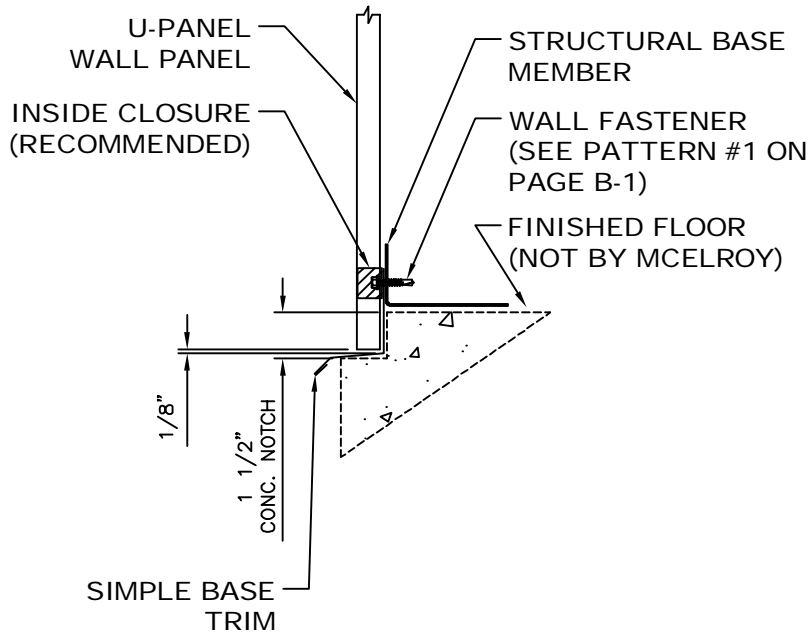
*NOTE: SOME TRIM ITEMS AND FASTENERS HAVE BEEN REMOVED FOR CLARITY OF ISOMETRIC DETAIL.



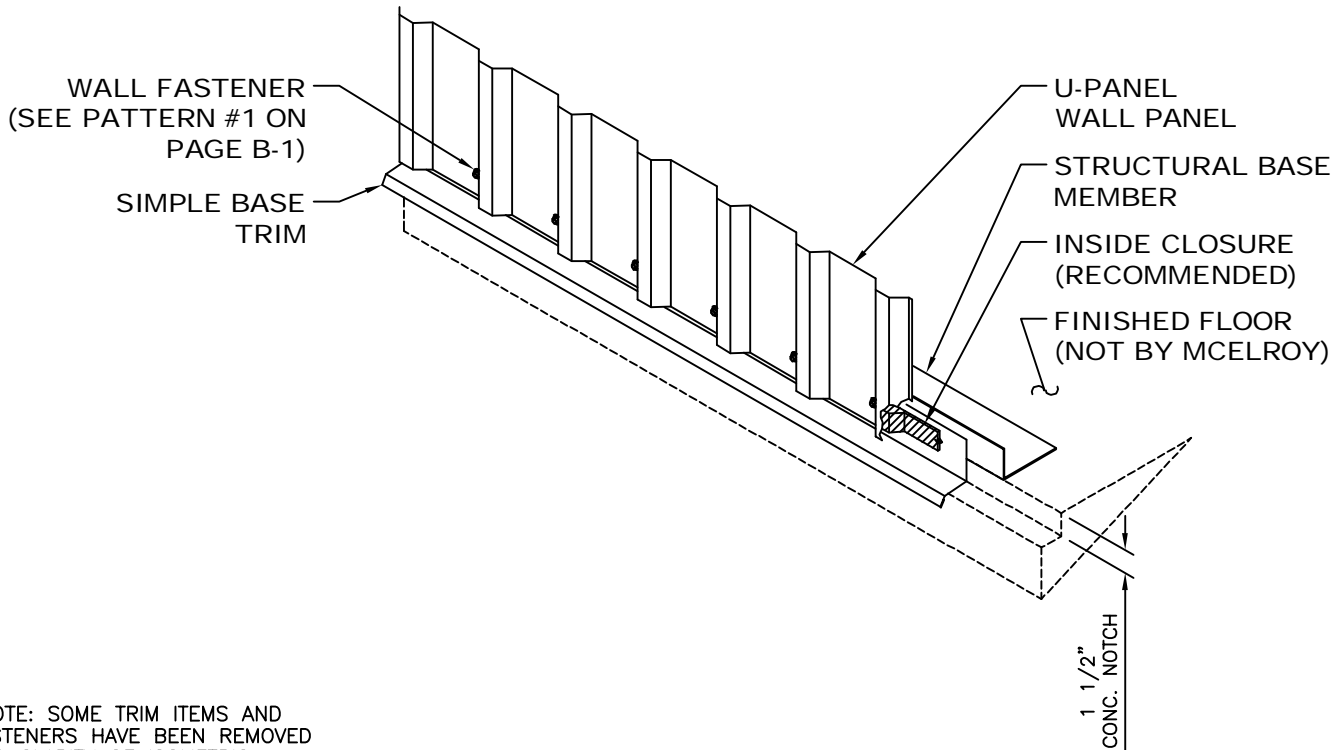
- NOTES:
1. Structural Base Member set flush with edge of Finished Floor.
 2. Set Base Trim 1 1/2" down face of finished floor.
 3. Set Closure in position on Base Trim.
 4. U-Panel Wall Panel into place. Make sure to leave a 1/8" gap between trim and panel.
 5. Attach panel with Framing Fasteners per Fastening Pattern #1 shown on page B-1.



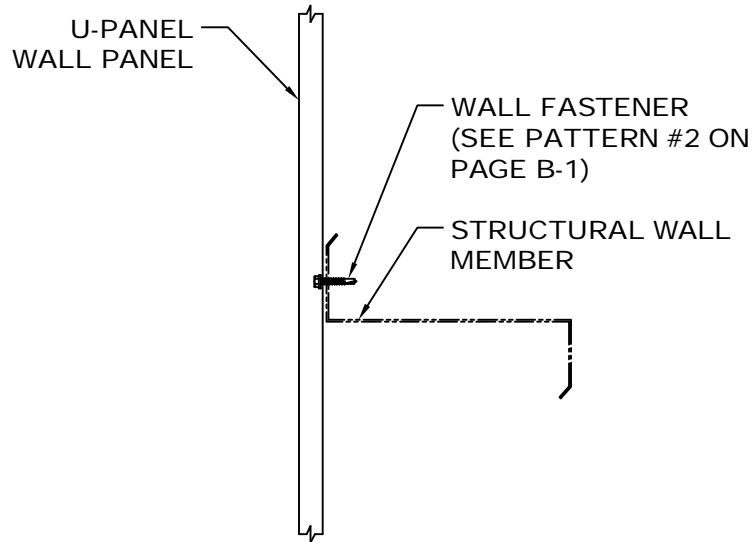
*NOTE: SOME TRIM ITEMS AND FASTENERS HAVE BEEN REMOVED FOR CLARITY OF ISOMETRIC DETAIL.



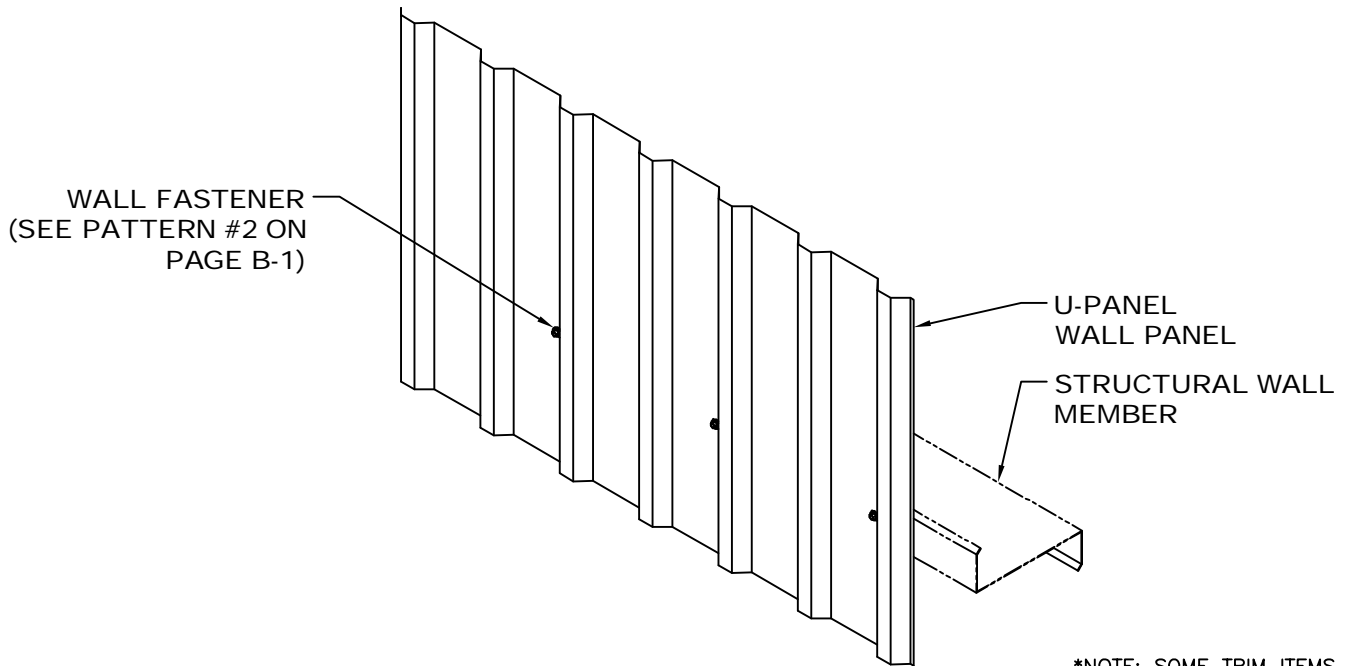
- NOTES: 1. Structural Base Member set flush with edge of Finished Floor.
 2. Set Simple Base Trim into concrete notch of slab.
 3. Set Closure in position on Simple Base Trim.
 4. Set U-Panel Wall Panel into place. Make sure to leave a 1/8" gap between trim and panel.
 5. Attach panel with Framing Fasteners per Fastening Pattern #1 shown on page B-1.



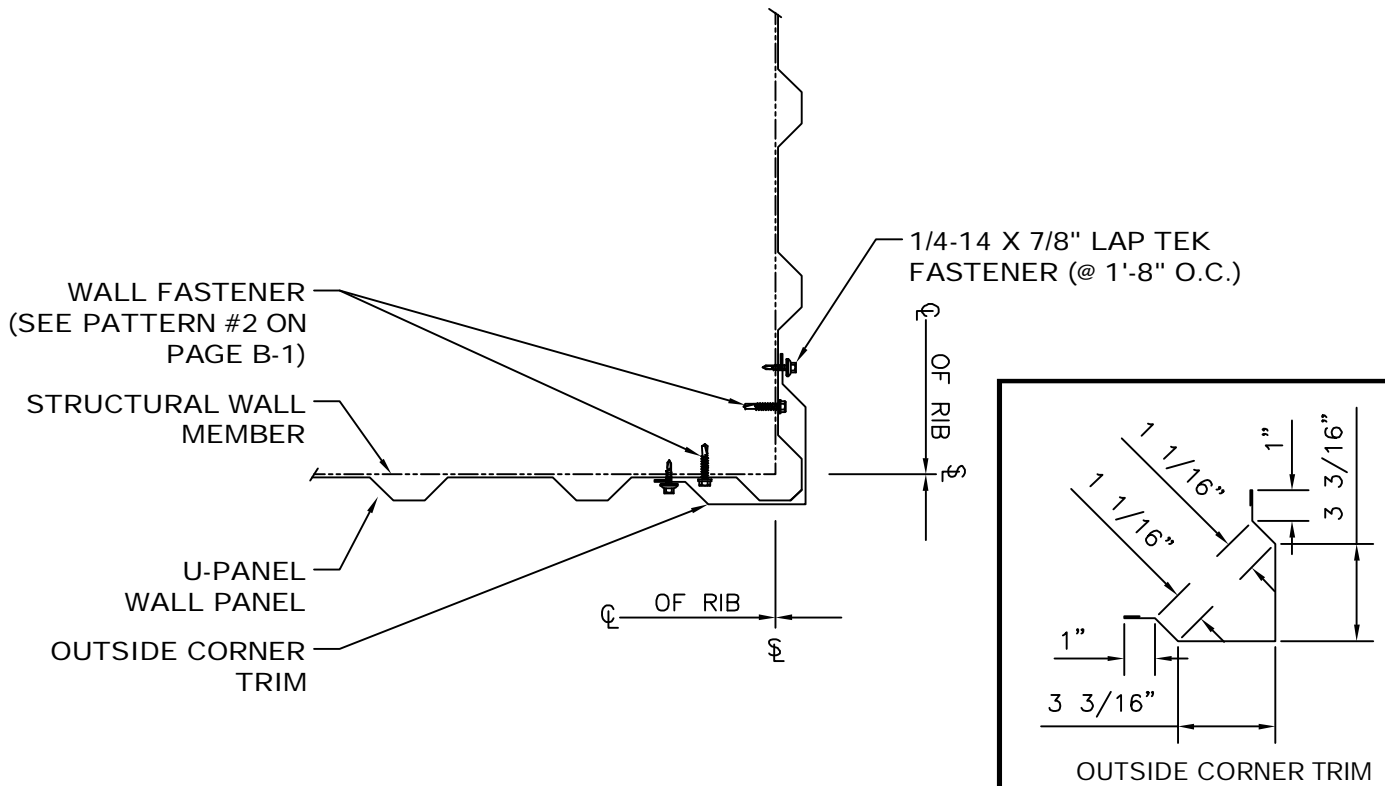
*NOTE: SOME TRIM ITEMS AND FASTENERS HAVE BEEN REMOVED FOR CLARITY OF ISOMETRIC DETAIL.



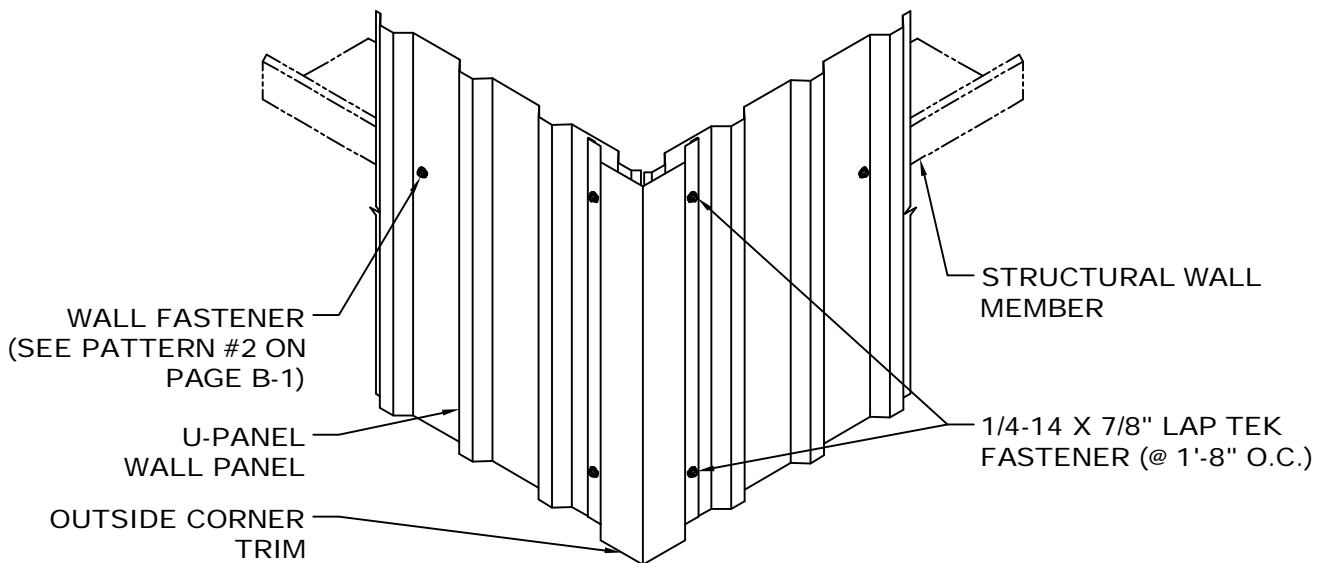
NOTES: 1. Attach U-Panel Wall panel to Structural Wall Member with Framing Fasteners using Fastener Pattern #2 as shown on page B-1.



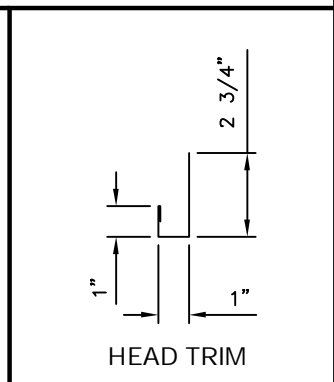
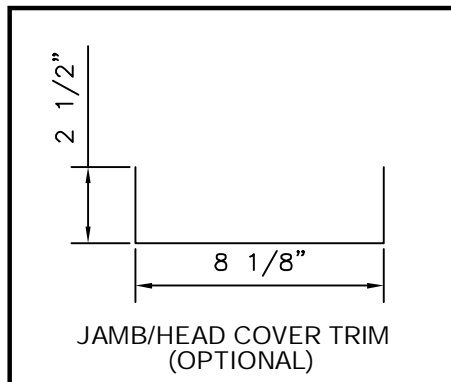
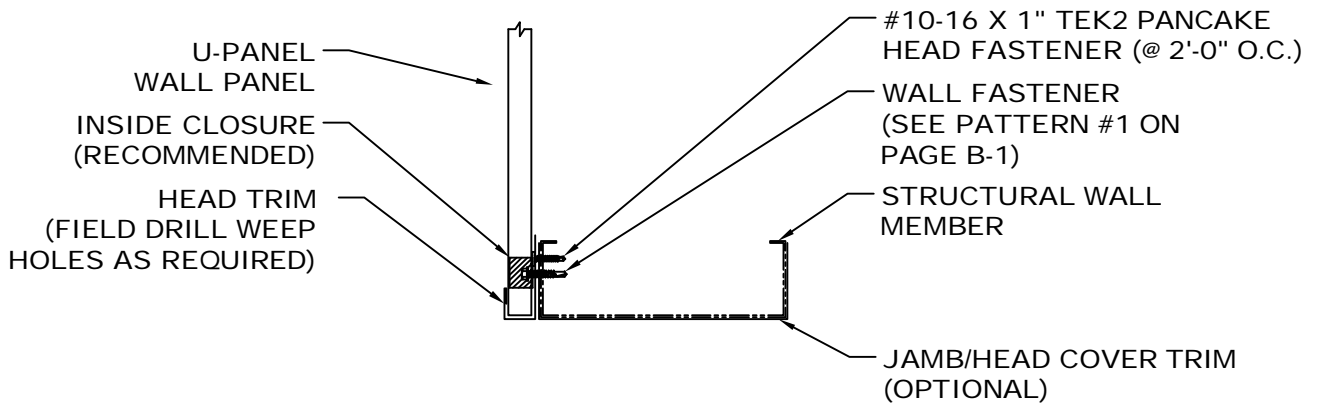
*NOTE: SOME TRIM ITEMS AND FASTENERS HAVE BEEN REMOVED FOR CLARITY OF ISOMETRIC DETAIL.



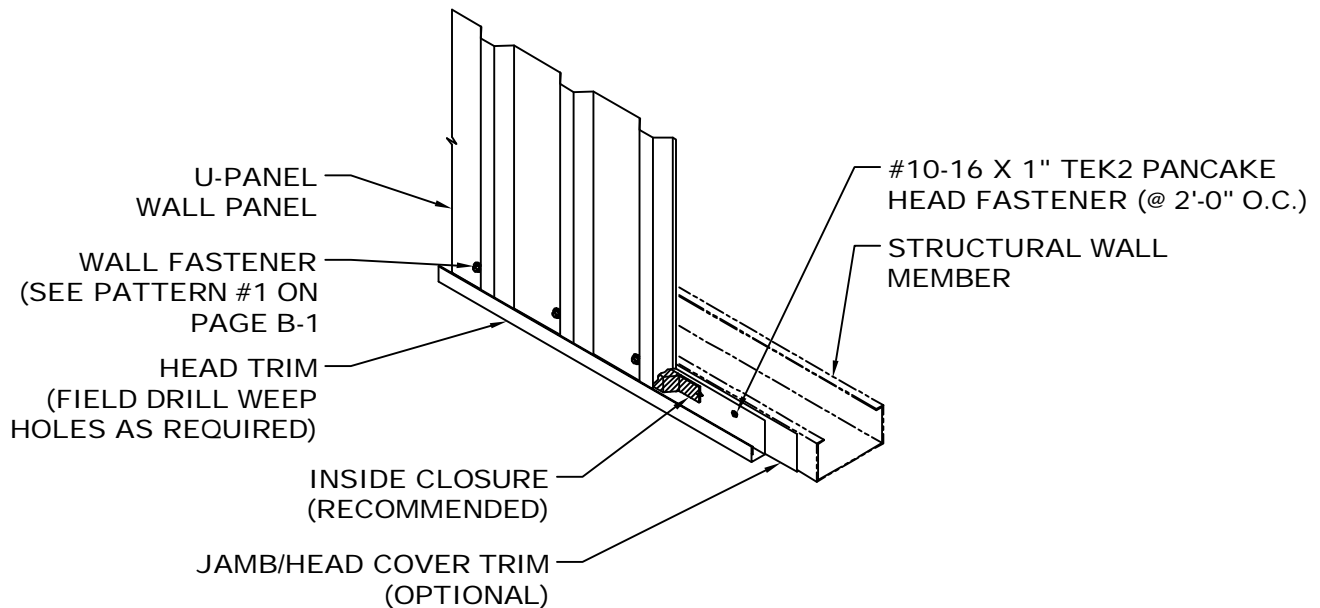
NOTES: 1. Attach U-Panel Wall panel to Wall Structural Member with Framing Fasteners using Fastener Pattern #2 as shown on page B-1.



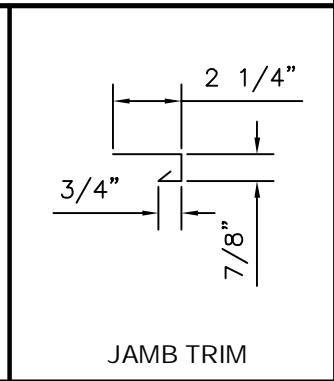
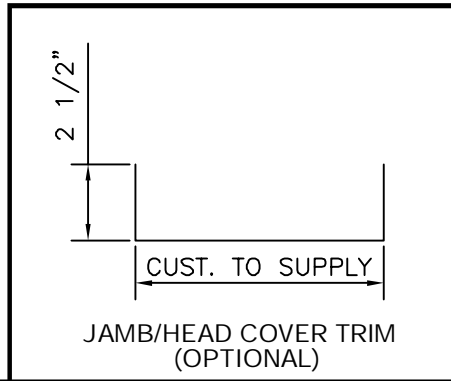
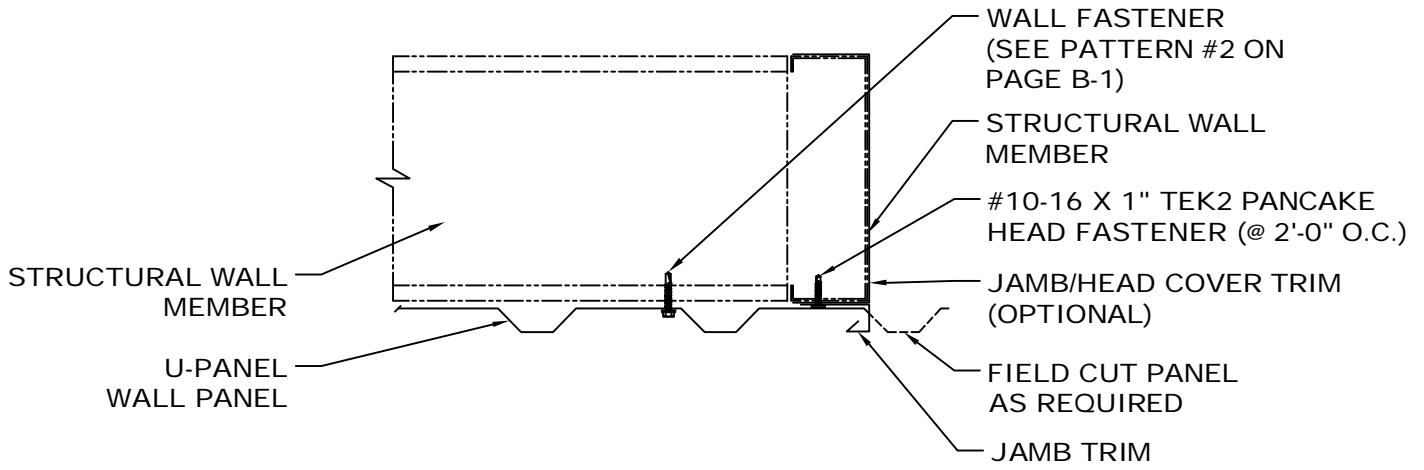
*NOTE: SOME TRIM ITEMS AND FASTENERS HAVE BEEN REMOVED FOR CLARITY OF ISOMETRIC DETAIL.



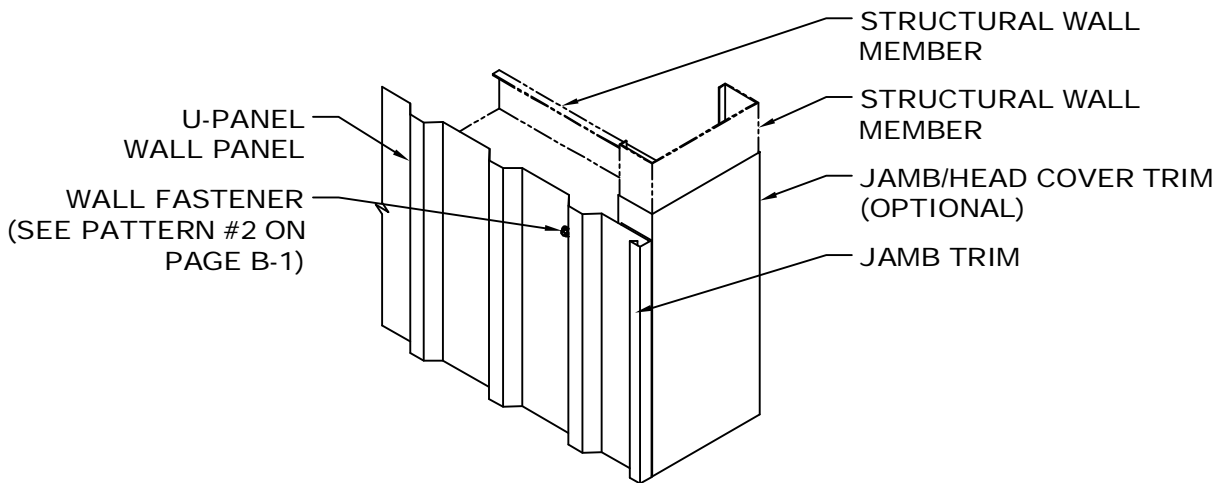
- NOTES: 1. Attach Head Trim to Header using #10-16 x 1" TEK2 Pancake Head Fasteners every 2'-0" O.C.
 2. Set Inside Closure in position on Head Trim.
 3. Install U-Panel to Structural Wall Member with framing fasteners using Fastener. Pattern #1 on page B-1.



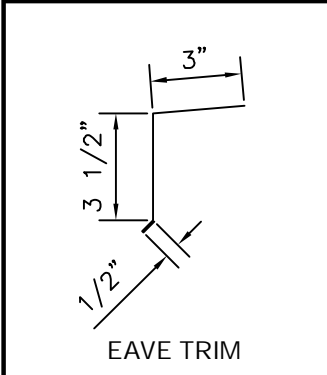
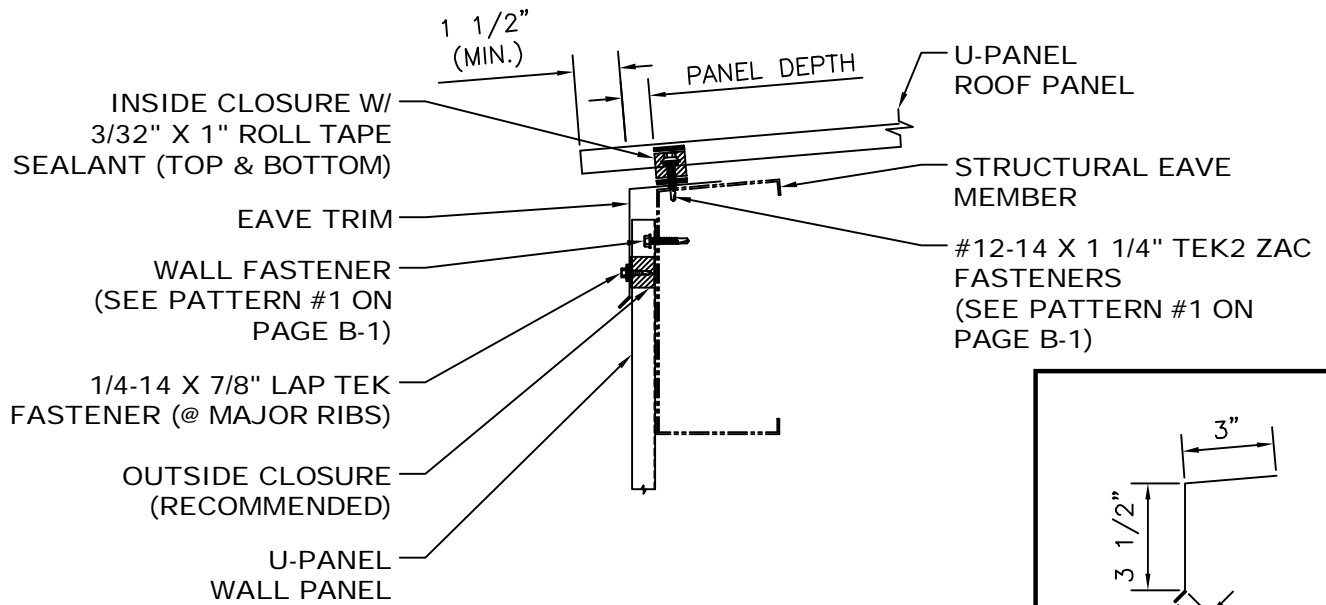
*NOTE: SOME TRIM ITEMS AND FASTENERS HAVE BEEN REMOVED FOR CLARITY OF ISOMETRIC DETAIL.



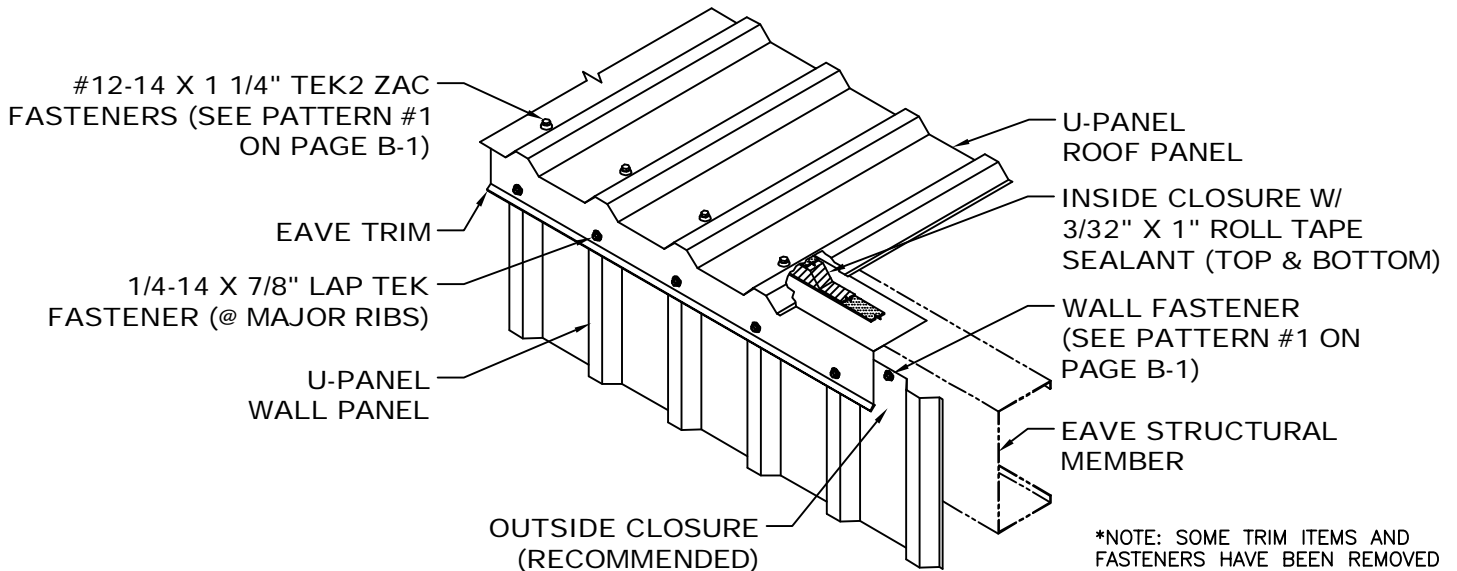
- NOTES: 1. Attach Jamb Trim to Structural Wall Member using #10-16 x 1" TEK2 Pancake Head Fasteners every 2'-0" O.C.
 2. Install U-Panel to Structural Wall Member with framing fasteners using Fastener Pattern #2 on page B-1.



*NOTE: SOME TRIM ITEMS AND FASTENERS HAVE BEEN REMOVED FOR CLARITY OF ISOMETRIC DETAIL.



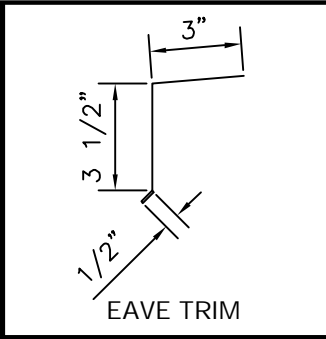
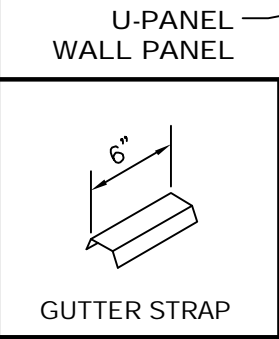
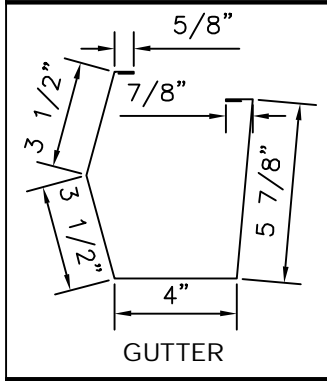
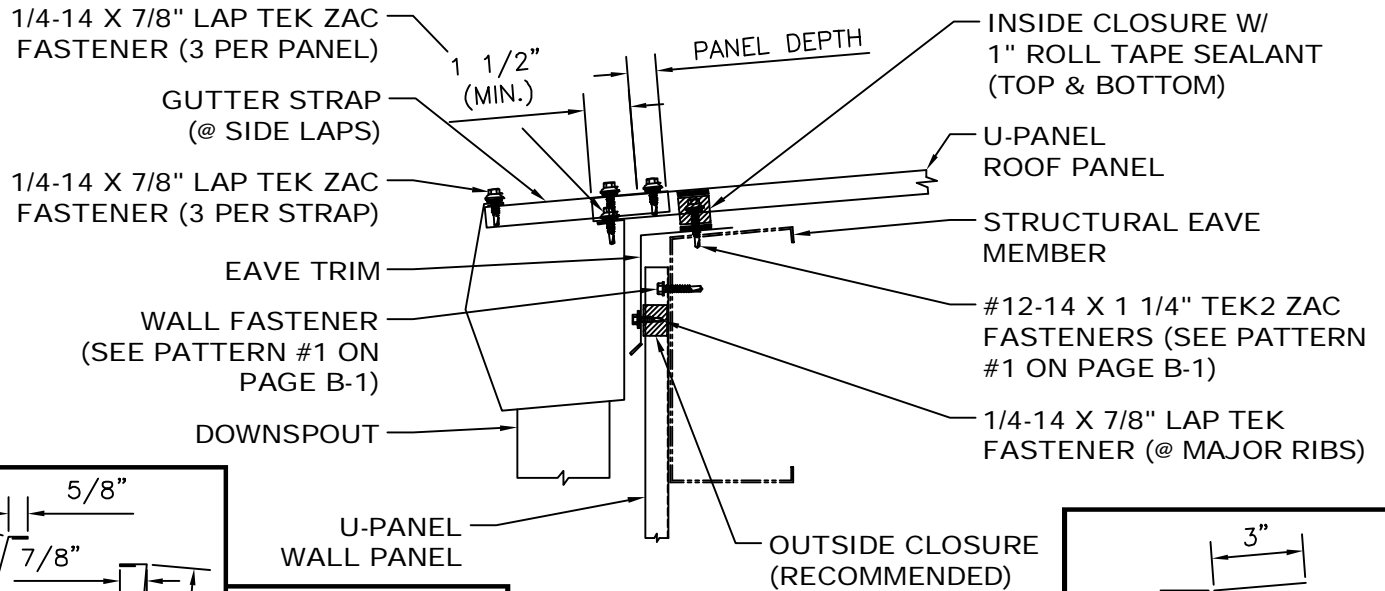
- NOTES: 1. Attach Wall Panel to Structural Eave Member with Framing Fasteners using Fastener Pattern #1 on page B-1.
 2. Eave Trim to run from out of wall to out of wall.
 3. Trim pieces lap 2". Apply 3/32" x 3/8" Butyl Tape Sealant in trim laps and Pop Rivet trims as shown on page C-18.
 4. Attach Eave Trim to Wall Panel at major ribs with 1/4-14 x 7/8" Lap Tek Fasteners.
 5. Apply continuous run of 1" Butyl Tape Sealant on top of Eave Trim.
 6. Set Closures in tape and apply another continuous run of 1" Butyl Tape Sealant on top of closures.
 7. Attach U-Panel Roof Panels in place with #12-14 x 1 1/4" Tek2 ZAC Fasteners. See fastener pattern on page B-1.



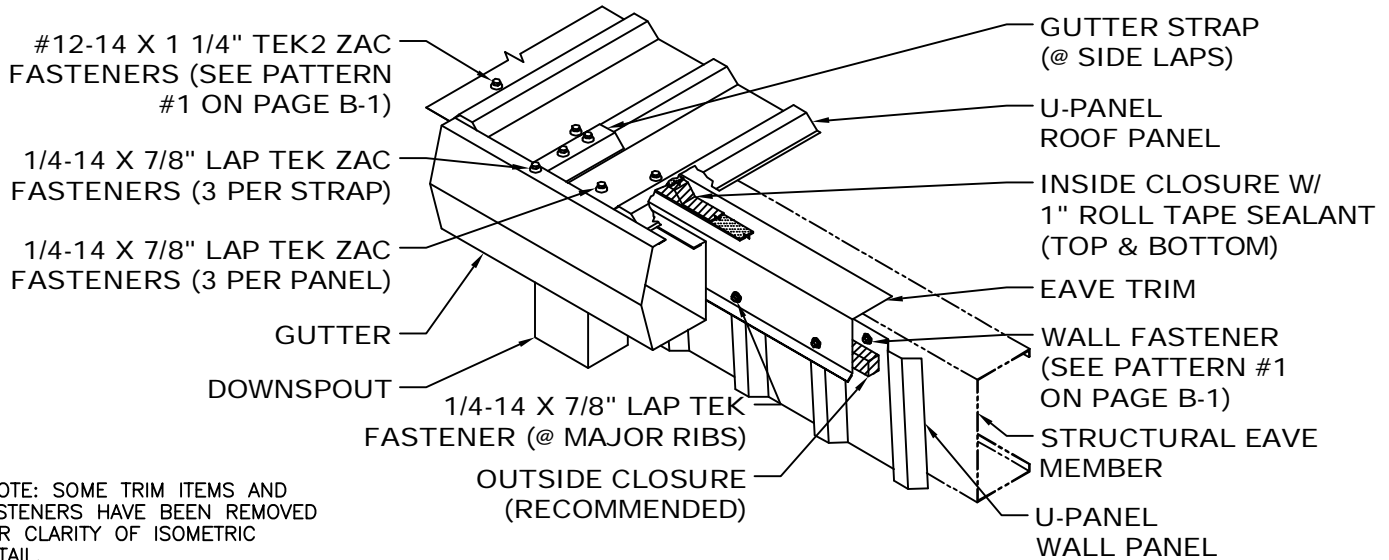
*NOTE: SOME TRIM ITEMS AND FASTENERS HAVE BEEN REMOVED FOR CLARITY OF ISOMETRIC DETAIL.

U-PANEL

EAVE w/ GUTTER DETAIL

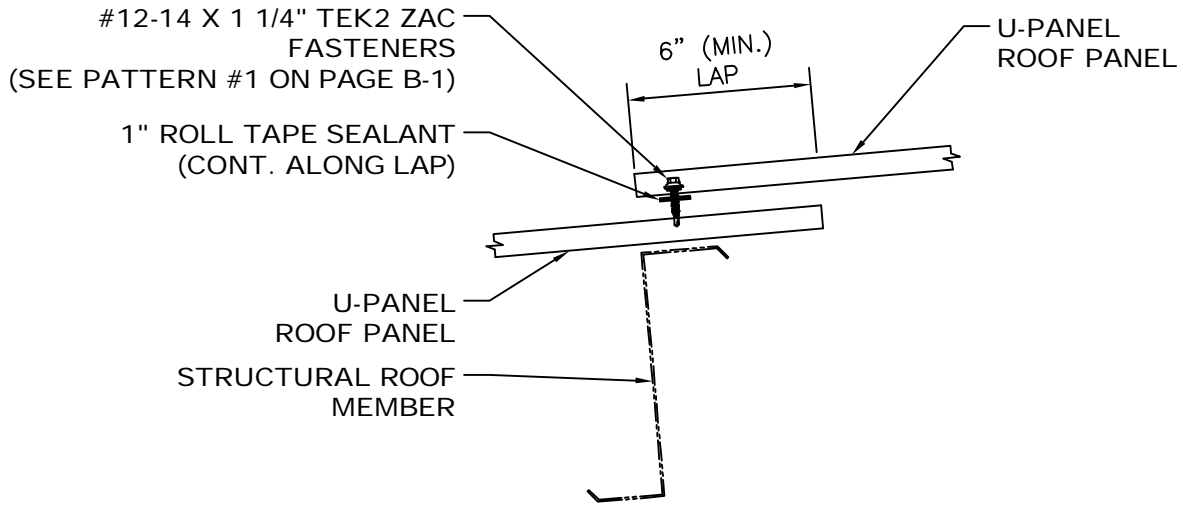


- NOTES:
1. Attach U-Panel Wall Panel to Structural Eave Member with Framing Fasteners using Fastener Pattern #1 shown on page B-1.
 2. Eave Trim and Gutter to run from out of wall to out of wall.
 3. Trim pieces lap 2". Apply 3/32" x 3/8" Butyl Tape or Butyl Tube Sealant at trim laps and Pop Rivet trims as shown on page C-18.
 4. Attach Eave Trim to wall panels at major ribs with 1/4-14 x 7/8" Lap Tek fasteners.
 5. Apply continuous run of 1" Roll Tape Sealant on top of Eave Trim.
 6. Set Inside Closures in tape and apply another continuous run of 1" Roll Tape Sealant on top of closures.
 7. Attach U-Panel Roof Panels with #12-14 x 1 1/4" Tek2 ZAC Fasteners. See Fastener Pattern on page B-1.
 8. Attach Gutter to roof panels with 1/4-14 x 7/8" Lap Tek ZAC Fasteners. (3 per panel) Attach Gutter Straps to panel ribs with (2) 1/4-14 x 7/8" Lap Tek ZAC Fastener. Then attach Gutter to Gutter Strap with (1) 1/4-14 x 7/8" Lap Tek ZAC Fasteners.

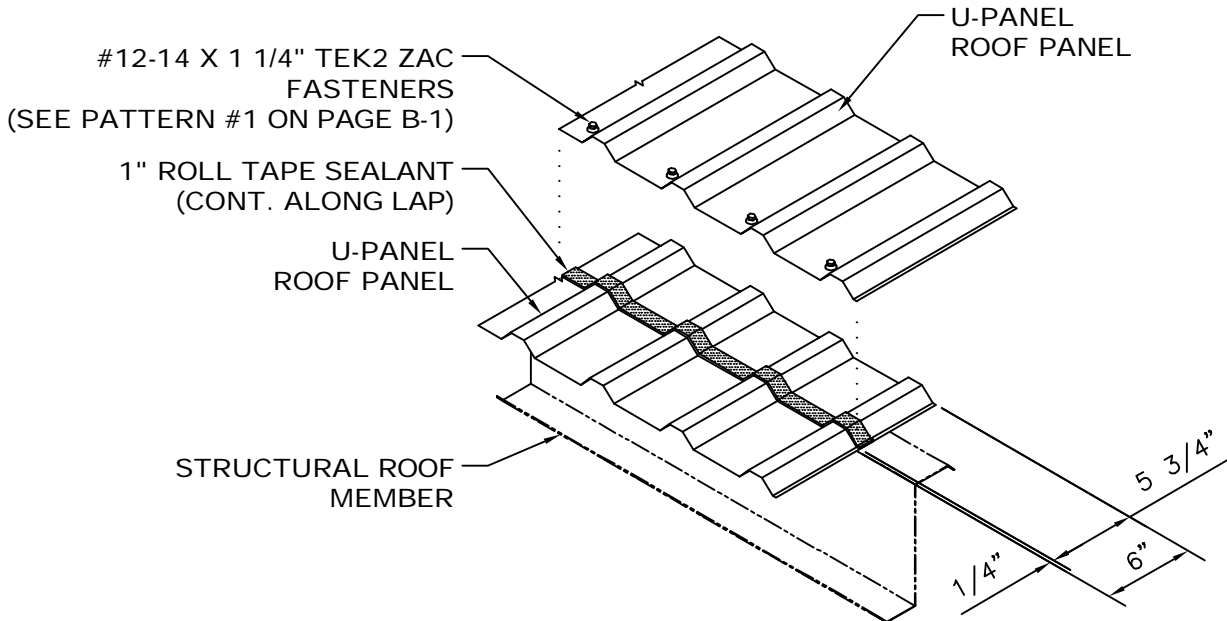


*NOTE: SOME TRIM ITEMS AND FASTENERS HAVE BEEN REMOVED FOR CLARITY OF ISOMETRIC DETAIL.

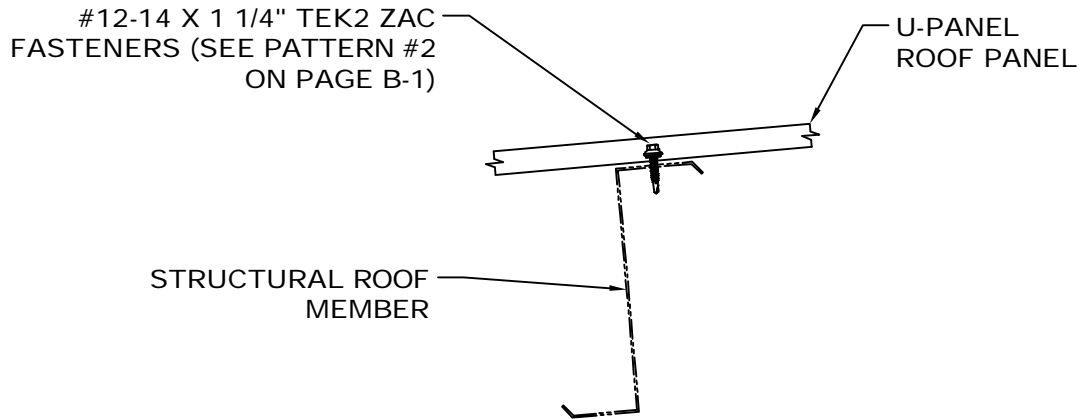




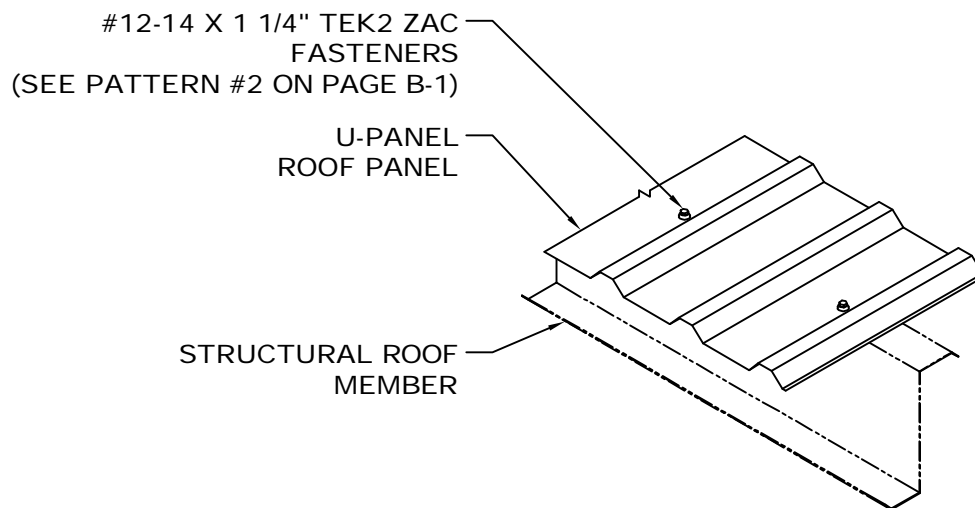
- NOTES: 1. Extend lower U-Panel Roof Panel 6" past web of Roof Structural Member.
2. Apply continuous run of 1" Roll Tape Sealant on top of lower U-Panel panel 5 3/4" down from end of panel.
3. Install upper U-Panel panel and fasten with #12-14 x 1 1/4" Tek2 ZAC Fasteners. See Fastener Pattern #1 on page B-1.



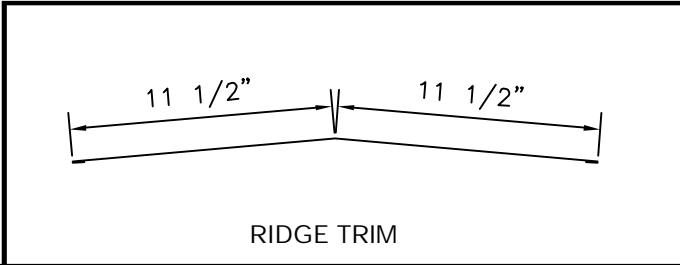
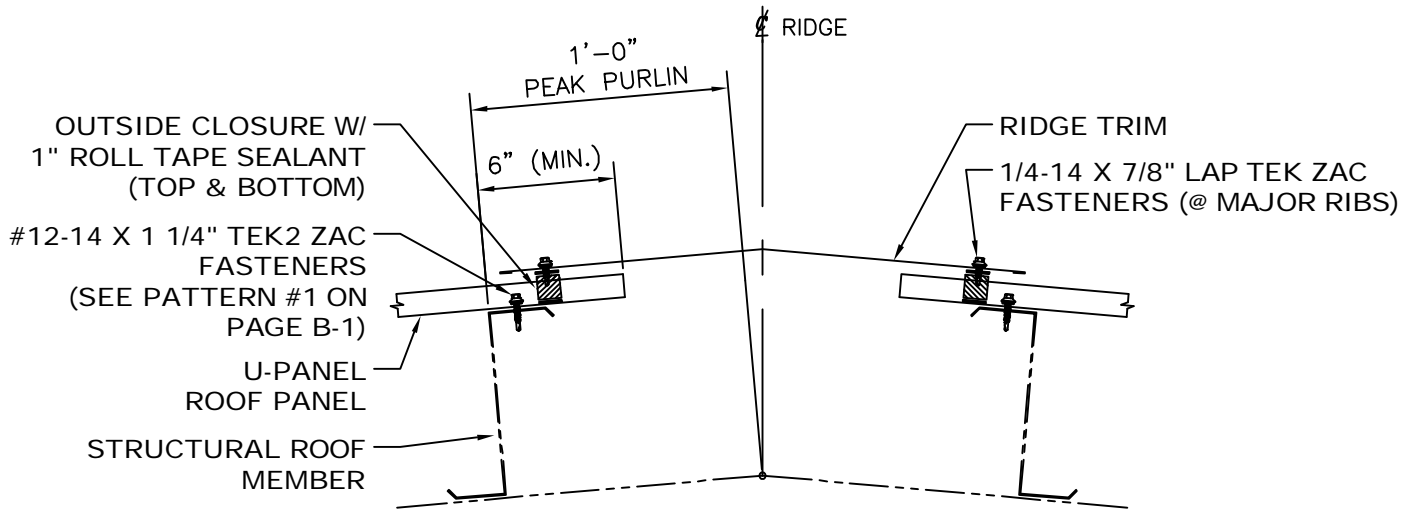
*NOTE: SOME TRIM ITEMS AND FASTENERS HAVE BEEN REMOVED FOR CLARITY OF ISOMETRIC DETAIL.



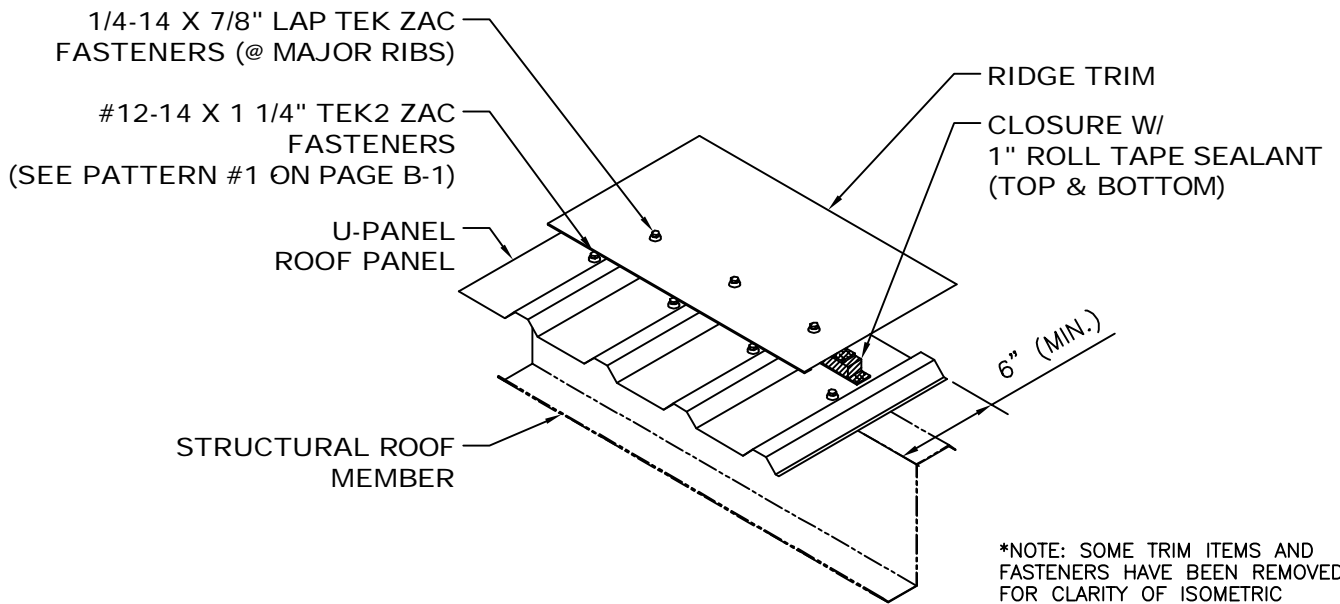
NOTES: 1. Attach U-Panel Roof Panels with #12-14 x 1 1/4" Tek2 ZAC Fasteners. See Fastener Pattern #2 on page B-1.



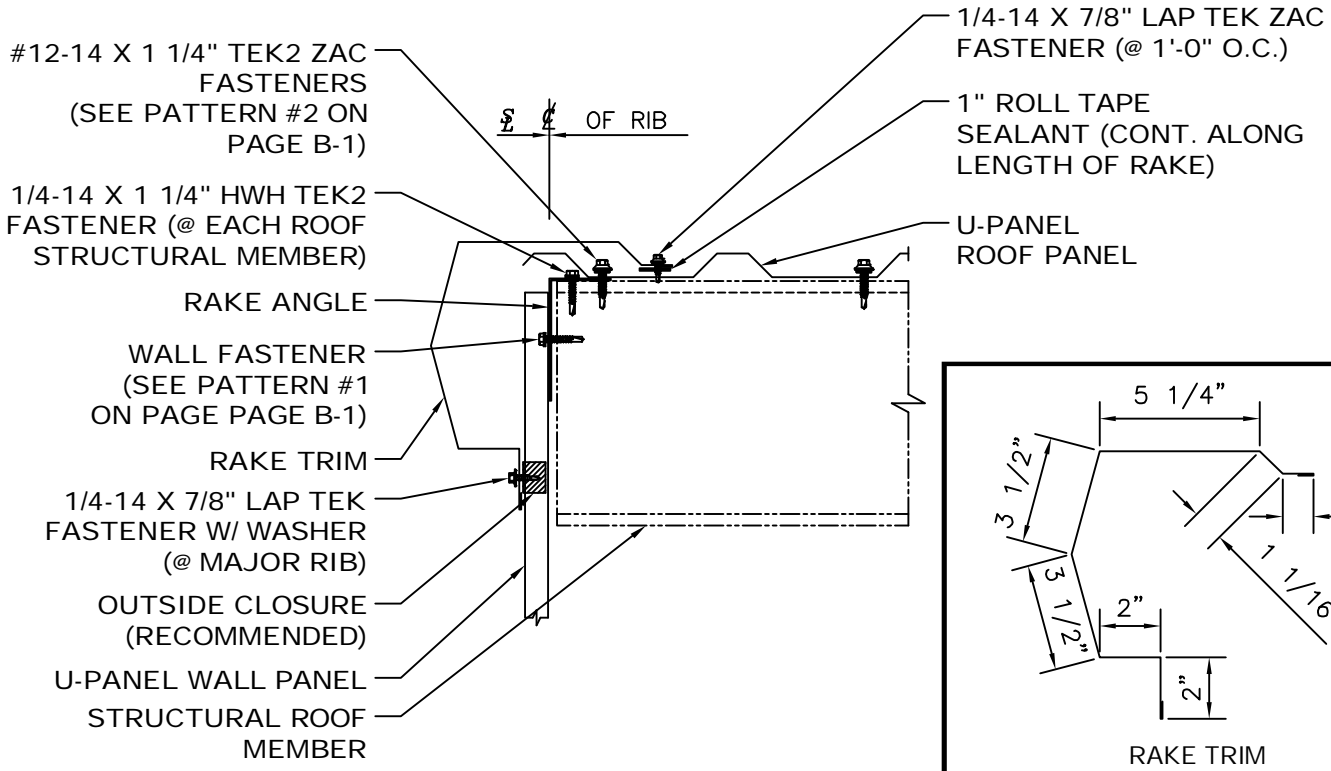
*NOTE: SOME TRIM ITEMS AND FASTENERS HAVE BEEN REMOVED FOR CLARITY OF ISOMETRIC DETAIL.



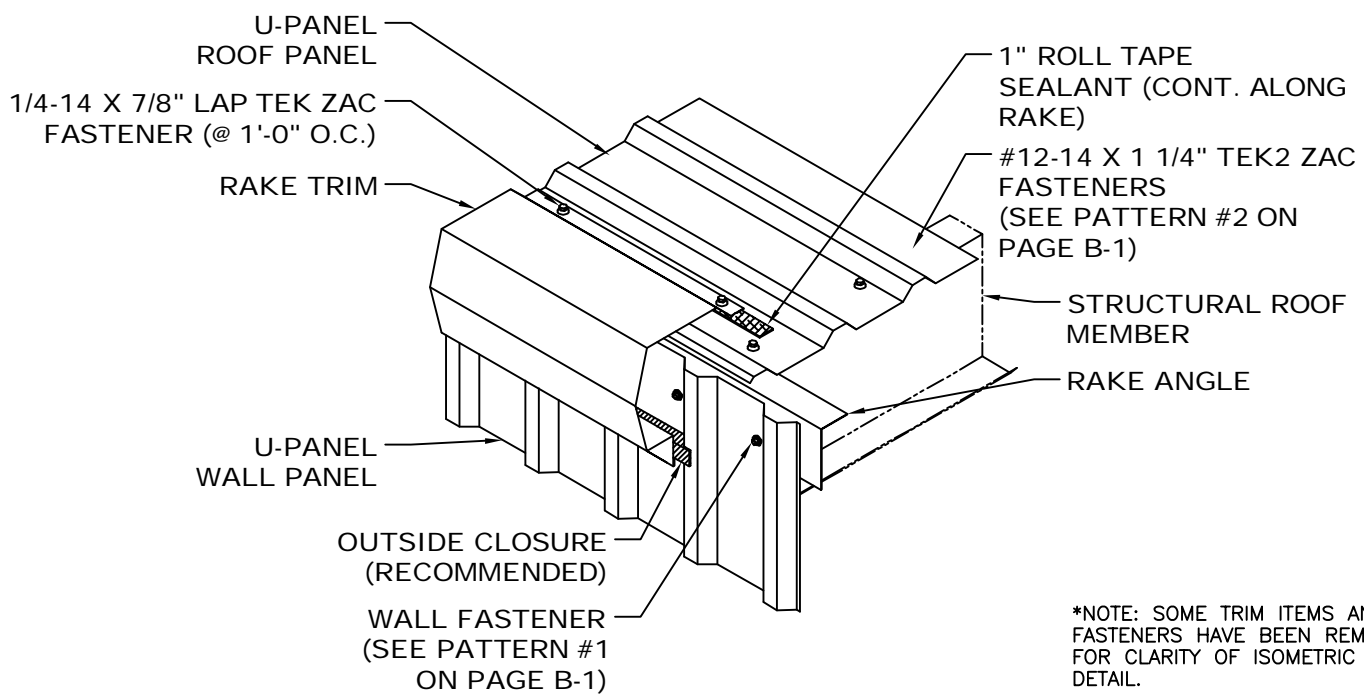
- NOTES: 1. Attach U-Panel Roof Panels with #12-14 x 1 1/4" Tek2 ZAC Fasteners. See Fastener Pattern #1 on page B-1.
2. Install a continuous line of 1" Butyl Tape Sealant above fasteners. Seat Outside Closures in tape sealant. Install another continuous line of 1" Tape Sealant on top of closures.
3. Attach Ridge Trim to roof panels with 1/4-14 x 7/8" Lap Tek ZAC Fasteners at major ribs. Make sure fastener penetrates sealant.
4. Trim pieces lap 2". Apply 3/32" x 3/8" Butyl Tape or Butyl Tube Sealant at trim laps and secure trim joint with 1/4-14 x 7/8" Lap Tek ZAC Fasteners at 4" O.C.

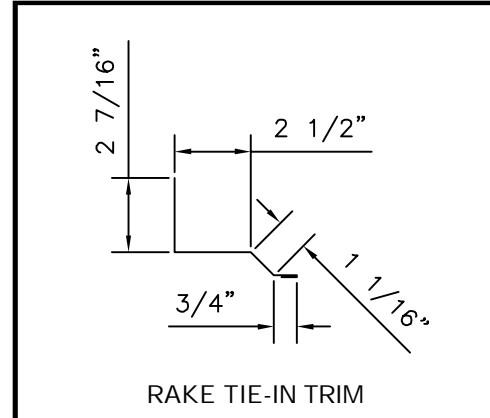
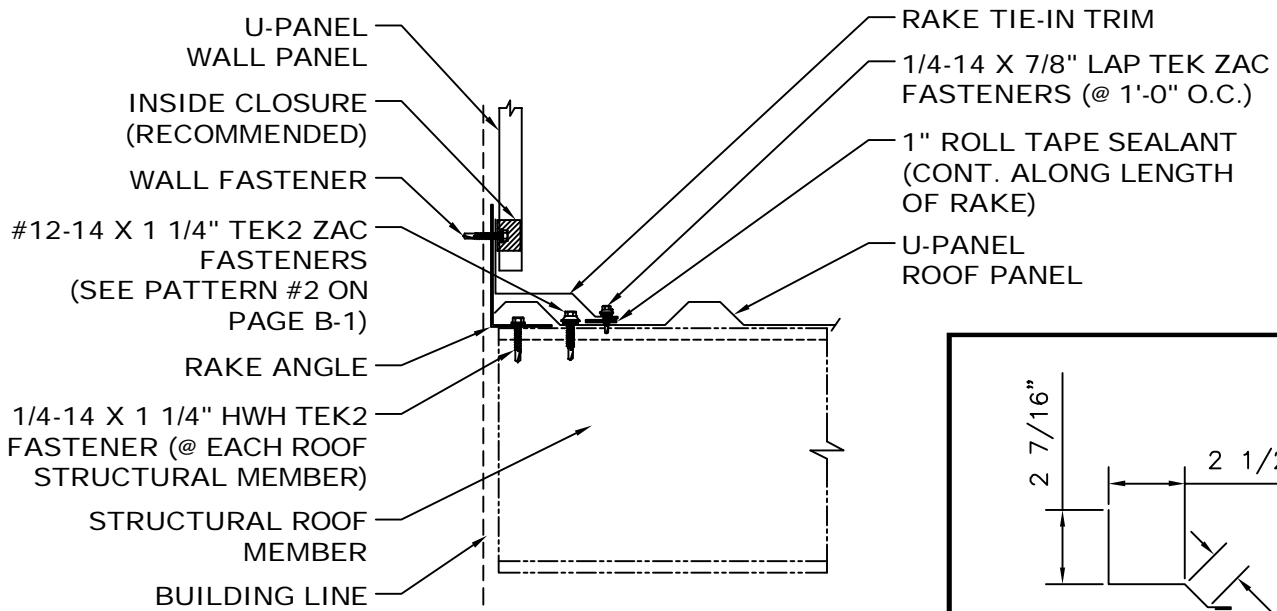


*NOTE: SOME TRIM ITEMS AND FASTENERS HAVE BEEN REMOVED FOR CLARITY OF ISOMETRIC DETAIL.

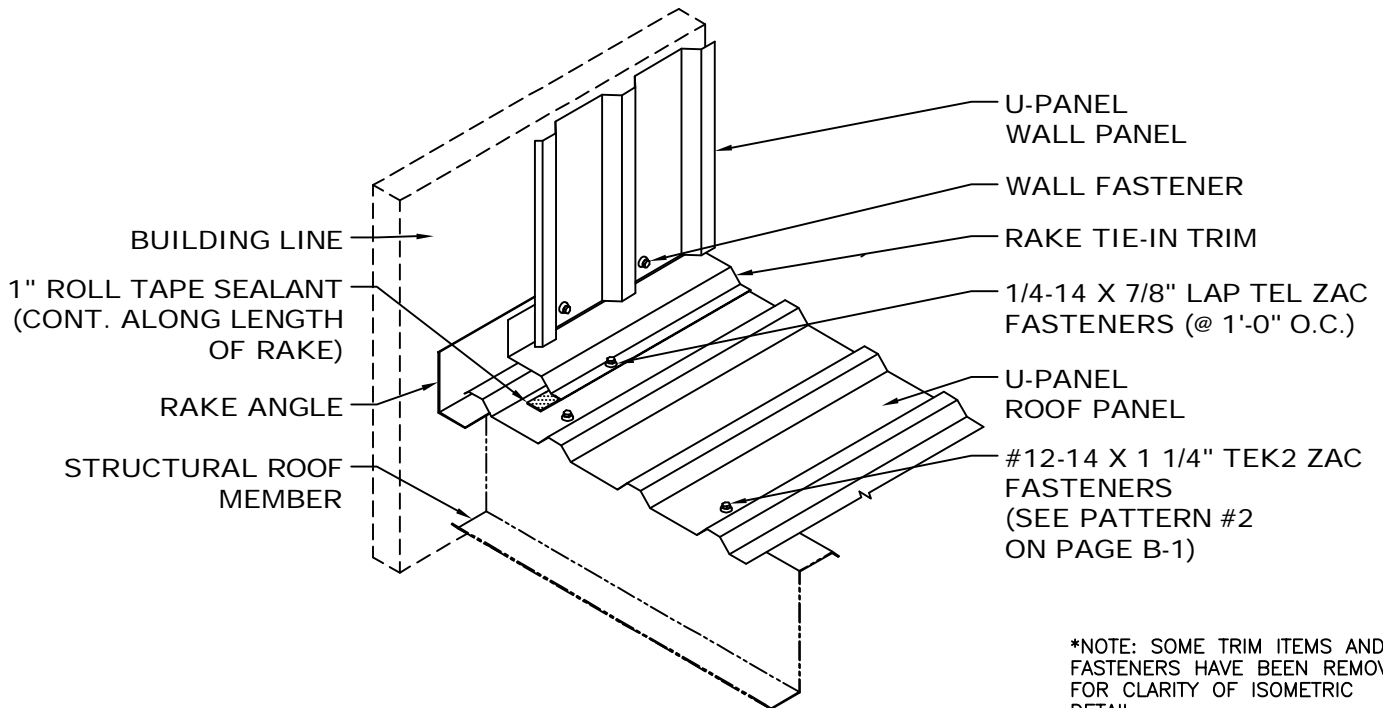


- NOTES: 1. Attach U-Panel Wall Panel to Rake Angle with Framing Fasteners using Fastener Pattern #1 on page B-1.
 2. Attach U-Panel Roof Panels in place with #12-14 x 1 1/4" Tek2 ZAC Fasteners. See Fastener Pattern #2 on page B-1.
 3. Install a continuous line of 1" Butyl Tape Sealant where Rake Trim rest on roof panel.
 4. Attach Rake Trim to roof panels with 1/4-14 x 7/8" Lap Tek ZAC Fasteners at 1'-0" O.C. Make sure fastener penetrates sealant.
 5. Attach Rake Trim to Wall Panels with 1/4-14 x 7/8" Lap Tek Fasteners with Washer at major ribs.
 6. Trim pieces lap 2". Apply 3/32" x 3/8" Butyl Tape or Butyl Tube Sealant at trim laps and secure trim joint with 1/4-14 x 7/8" Lap Tek ZAC Fasteners at 4" O.C.





- NOTES: 1. Attach U-Panel Roof Panels with #12-14 x 1 1/4" Tek2 ZAC Fasteners. See Fastener Pattern #2 on page B-1.
2. Install a continuous line of 1" Butyl Tape Sealant where Rake Tie-In Trim rest on roof panel.
3. Attach Rake Trim to roof panels with 1/4-14 x 7/8" Lap Tek ZAC Fasteners at 1'-0" O.C. Make sure fastener penetrates sealant.
4. Trim pieces lap 2". Apply 3/32" x 3/8" Butyl Tape or Butyl Tube Sealant at trim laps and secure trim joint with 1/4-14 x 7/8" Lap Tek ZAC Fasteners at 4" O.C.



*NOTE: SOME TRIM ITEMS AND FASTENERS HAVE BEEN REMOVED FOR CLARITY OF ISOMETRIC DETAIL.

OUTSIDE CLOSURE W/
1" ROLL TAPE SEALANT
(TOP & BOTTOM)

U-PANEL
ROOF PANEL

STRUCTURAL EAVE
MEMBER

1/4-14 X 7/8" LAP TEK ZAC
FASTENERS (@ MAJOR RIBS)

#12-14 X 1 1/4" TEK2 ZAC
FASTENERS
(SEE PATTERN #1 ON PAGE B-1)

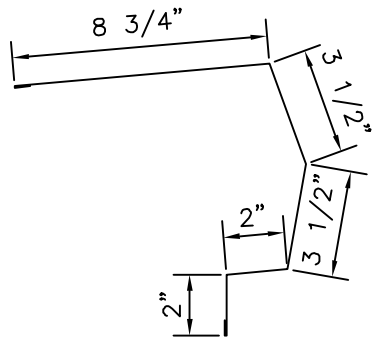
HIGH SIDE
EAVE TRIM

WALL FASTENER
(SEE PATTERN #1
ON PAGE B-1)

1/4-14 X 7/8" LAP TEK
FASTENERS (@ MAJOR RIBS)

OUTSIDE CLOSURE
(RECOMMENDED)

U-PANEL
WALL PANEL



HIGH SIDE EAVE TRIM

- NOTES: 1. Attach Wall Panels to Eave Structural Member with Framing Fasteners using Fastener Pattern #1 on page B-1.
2. Attach U-Panel Roof Panels with #12-14 x 1 1/4" Tek2 ZAC Fasteners. See Fastener Pattern #1 on page B-1.
3. Install a continuous line of 1" Butyl Tape Sealant below fasteners. Seat Outside Closures in tape sealant. Install another continuous line of 1" Tape Sealant on top of closures.
4. Attach High Side Eave Trim to roof panels with 1/4-14 x 7/8" Lap Tek ZAC Fasteners at major ribs. Make sure fastener penetrates sealant.
5. Trim pieces lap 2". Apply 3/32" x 3/8" Butyl Tape or Butyl Tube Sealant at trim laps and secure trim joint with 1/4-14 x 7/8" Lap Tek ZAC Fasteners at 4" O.C.

1/4-14 X 7/8" LAP TEK ZAC
FASTENERS (@ MAJOR RIBS)

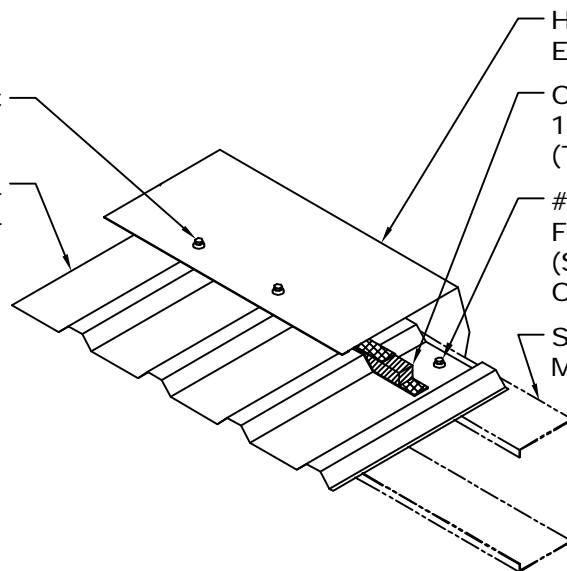
U-PANEL
ROOF PANEL

HIGH SIDE
EAVE TRIM

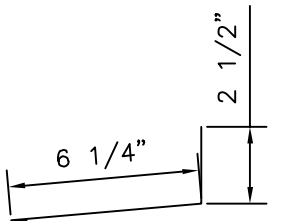
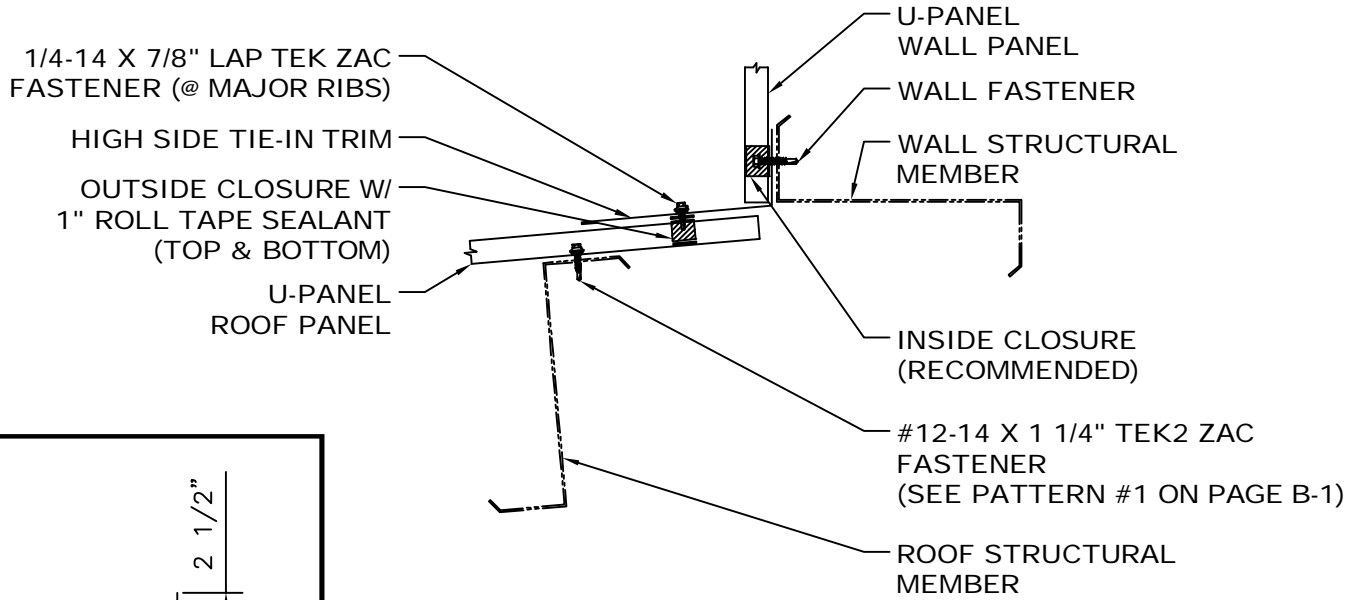
OUTSIDE CLOSURE W/
1" ROLL TAPE SEALANT
(TOP & BOTTOM)

#12-14 X 1 1/4" TEK2 ZAC
FASTENERS
(SEE PATTERN #1
ON PAGE B-1)

STRUCTURAL EAVE
MEMBER

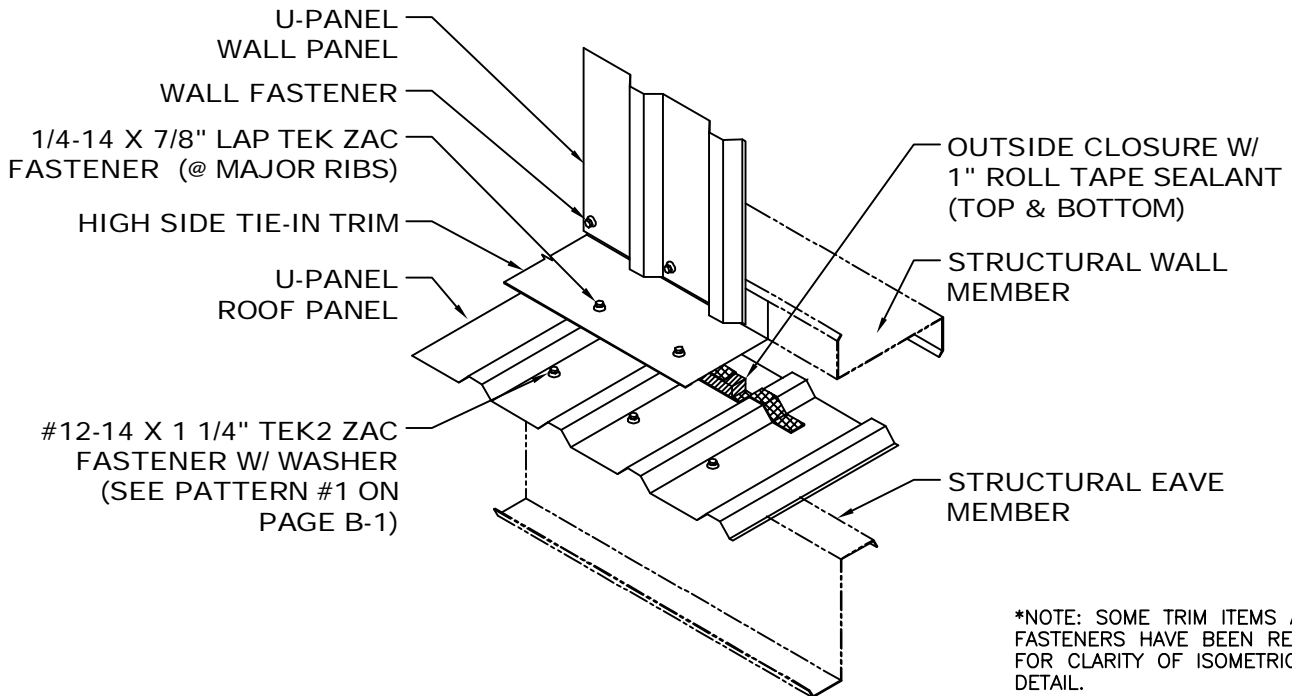


*NOTE: SOME TRIM ITEMS AND
FASTENERS HAVE BEEN REMOVED
FOR CLARITY OF ISOMETRIC
DETAIL.

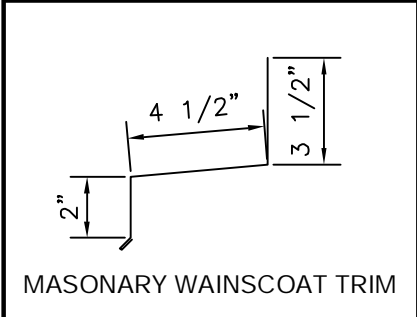
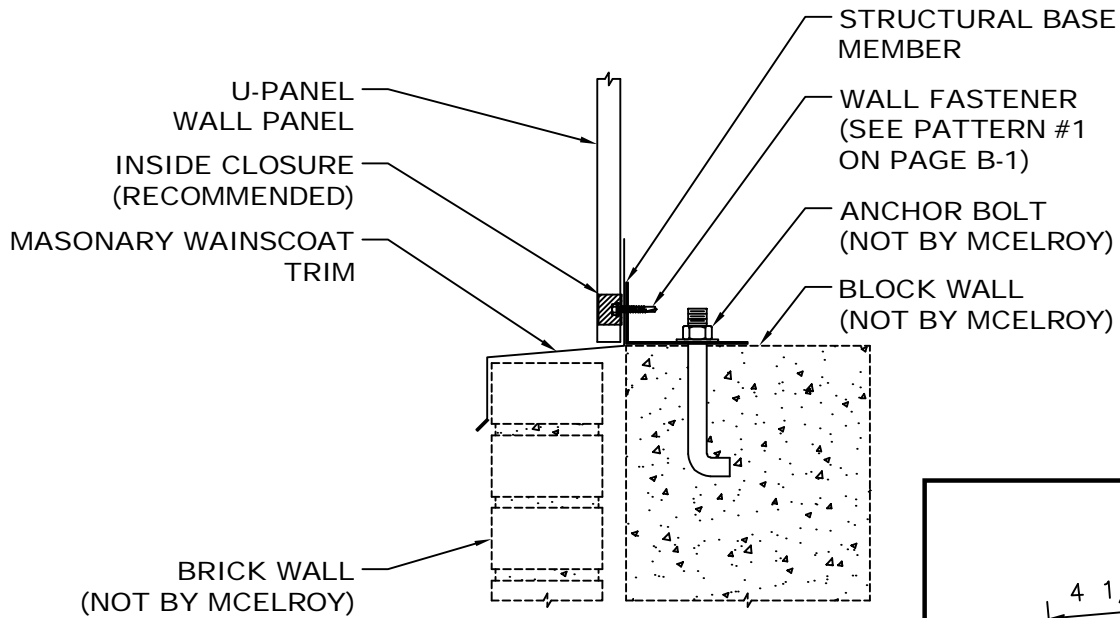


HIGH SIDE TIE-IN TRIM

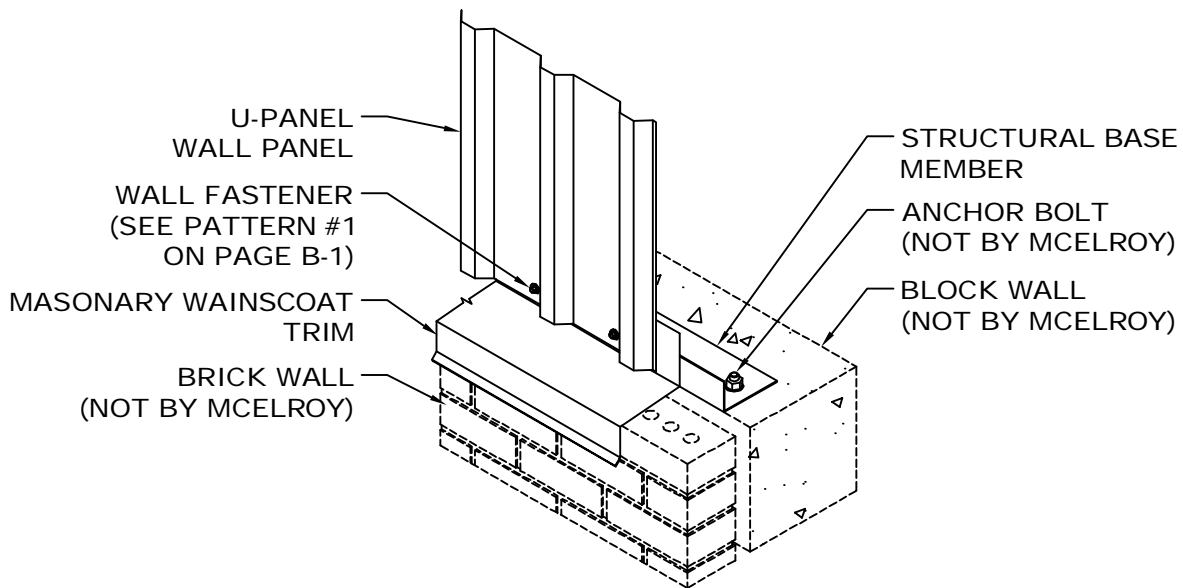
- NOTES: 1. Attach U-Panel Roof Panels with #12-14 x 1 1/4" Tek2 ZAC Fasteners. See Fastener Pattern #1 on page B-1.
2. Install a continuous line of 1" Butyl Tape Sealant. Seat Outside Closures in tape sealant. Install another continuous line of 1" Tape Sealant on top of closures.
3. Attach High Side Tie-In Trim to roof panels with 1/4-14 x 7/8" Lap Tek Fasteners at major ribs. Make sure fastener penetrates sealant.
4. Trim pieces lap 2". Apply 3/32" x 3/8" Butyl Tape or Butyl Tube Sealant at trim laps and secure trim joint with 1/4-14 x 7/8" Lap Tek Fasteners at 4" O.C.



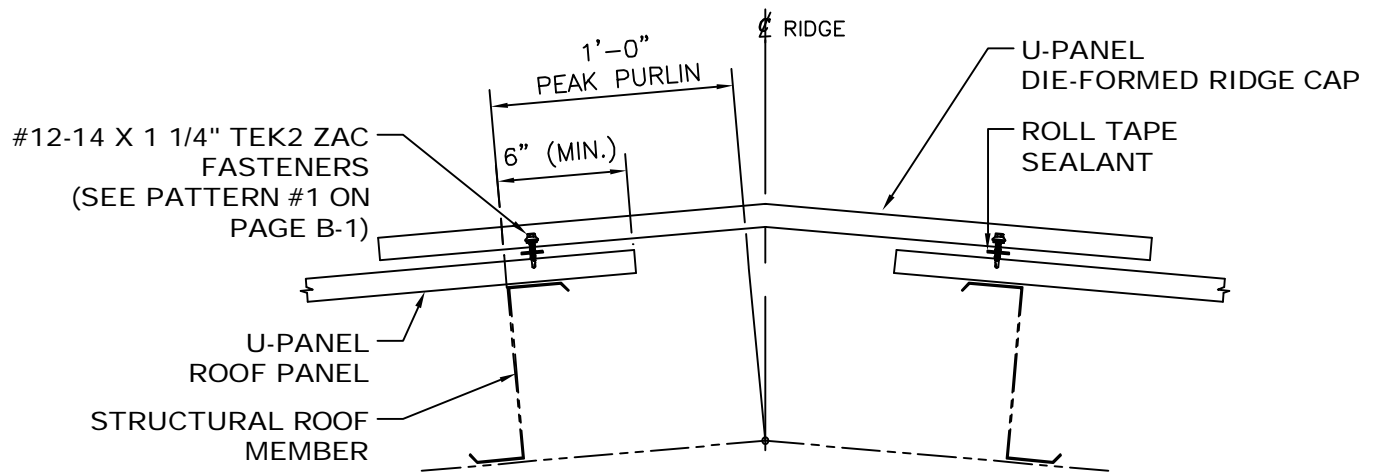
*NOTE: SOME TRIM ITEMS AND FASTENERS HAVE BEEN REMOVED FOR CLARITY OF ISOMETRIC DETAIL.



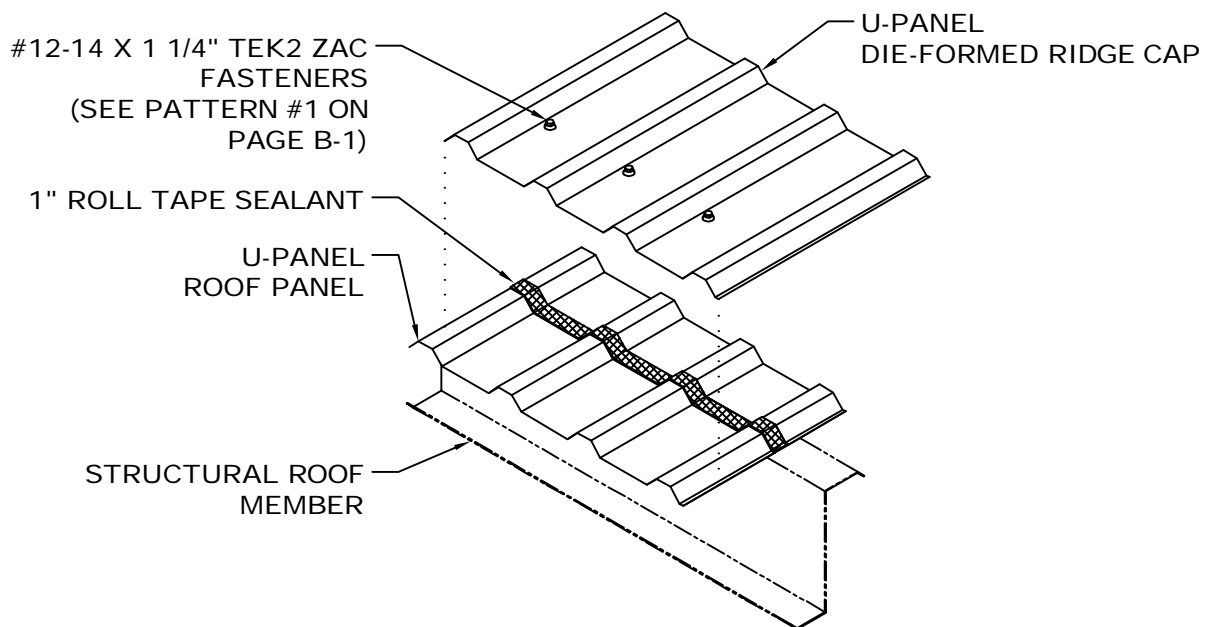
- NOTES: 1. Attach Masonry Waincoat Trim to Base Structural Member with Temporary Framing Fasteners.
 2. Set Inside Closure in place.
 3. Attach U-Panel Wall Panels with Framing Fasteners. See Fastener Pattern #1 on page B-1.



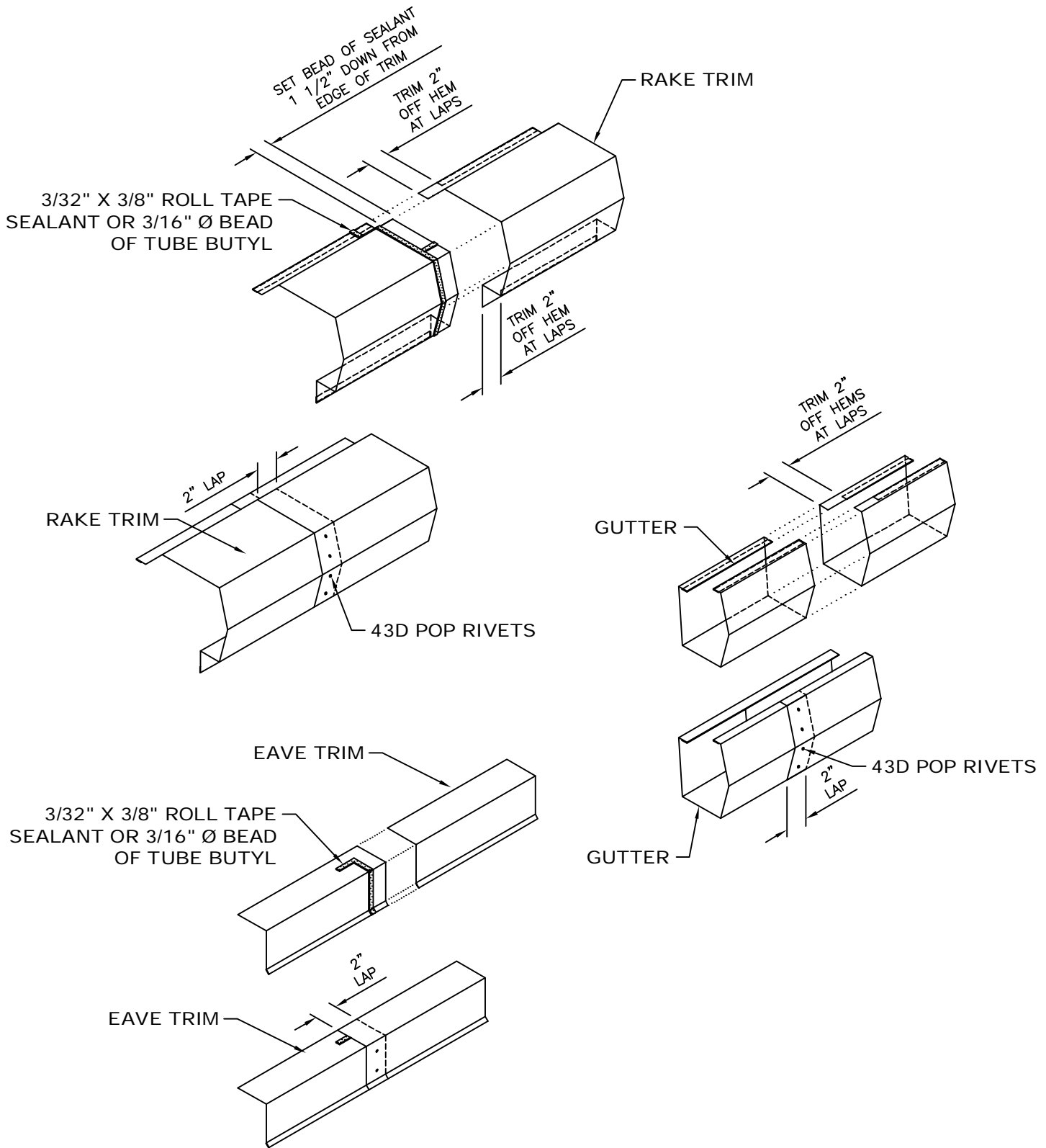
*NOTE: SOME TRIM ITEMS AND FASTENERS HAVE BEEN REMOVED FOR CLARITY OF ISOMETRIC DETAIL.



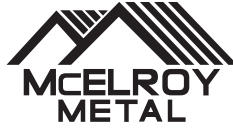
- NOTES: 1. Install a continuous line of 1" Butyl Tape Sealant along Ridge.
 2. Attach U-Panel Die-Formed Ridge Cap using #12-14 x 1 1/4" Tek2 ZAC Fasteners. See Fastener Pattern #1 on page B-1. (Make sure fasteners penetrate Butyl Tape Sealant.)



*NOTE: SOME TRIM ITEMS AND FASTENERS HAVE BEEN REMOVED FOR CLARITY OF ISOMETRIC DETAIL.



NOTE: 1. Apply 3/32" x 3/8" Roll Tape Sealant or a 3/16" Ø bead of Tube Butyl 1 1/2" back from the edge of the trim. Also, apply a piece of tape sealant or bead of Tube Butyl as a Pigtail to completely seal joint.
 2. Notch the hems on the upper trim piece 2" so that the trim will fit flat in the lap joint.
 3. Secure trim laps with Pop Rivets as shown above.



☆ MANUFACTURING LOCATIONS ● SERVICE CENTERS ★ MANUFACTURING AND SERVICE CENTER



CORPORATE OFFICE
1500 HAMILTON RD.
BOSSIER CITY, LA 71111

MANUFACTURING LOCATIONS

ADELANTO, CA	ASHBURN, GA	BOSSIER CITY, LA	CLINTON, IL	DIAMOND, MO
HOUSTON, TX	LEWISPORT, KY	MARSHALL, MI	MAUSTON, WI	MERKEL, TX
	PEACHTREE CITY, GA	SUNNYVALE, TX	WINCHESTER, VA	

McELROY METAL
SERVICE
C E N T E R

17031 Koala Road Adelanto, CA 92301	5215 Leo St. Alexandria, LA 71301	1007 Wilso Dr, Baltimore, MD 21223	1500 Hamilton Rd. Bossier City, LA 71111
3052 Yadkin Road Chesapeake, VA 23323	9476 Meadowbrook Rd. Clinton, IL 61727	3215 Highway 59 Diamond, MO 64840	390 N. Valley Dell Dr. Fenton, MO 63026
409 Lovejoy Road Ft. Walton Beach, FL 32548	3014 Lincoln Court Garland, TX 75041	1440 Aldine Bender Road Houston, TX 77032	10504 E. 59th Street Indianapolis, IN 46236
32 Industrial Circle Lancaster, PA 17601	9435 US Hwy. 60 W. Lewisport, KY 42351	1020 Veterans Street Mauston, WI 53948	5123 Terminal Dr. McFarland, WI 53558
514 Cave Road Nashville, TN 37210	8304 Hwy. 70 E. North Little Rock, AR 72117	613 North Bierdeman Rd. Pearl, MS 39208	8511 Industrial Drive Pearland, TX 77584
2755 Hwy 60 Pendergrass, GA 30567	7450 Tower Street Richland Hills, TX 76118	8200 Berry Ave. Suite 100 Sacramento, CA 95828	1365 Dean Forest Rd. Savannah, GA 31405
7355 Oakley Industrial Blvd. Union City, GA 30291	1144 Silstar Rd. West Columbia, SC 29170	325 McGhee Rd. Winchester, VA 22603	

Website: www.mcelroymetal.com • E-mail: info@mcelroymetal.com