



MONARCH STANDARD BUILDINGS AVAILABLE IN 3 VARIABLE LOADS

CHOOSE WHAT'S RIGHT FOR YOU

| | | | |
|---------------|---------|---------|----------|
| STANDARD IBC | LIVE 20 | SNOW 20 | WIND 115 |
| SNOW IBC | LIVE 20 | SNOW 30 | WIND 130 |
| HIGH WIND IBC | LIVE 20 | SNOW 10 | WIND 150 |

BUILDING FEATURES:

- 1:12 Roof Pitch
- Bolt together frame
- 8" Rigid frame straight columns combined with flush cee girts allow for flush walls ready to finish out
- Welded clips on endwall connections
- No loose connection plates (except @door header)
- R-panel-pb 26 ga galvalume plus roof w/20 year warranty
- R-Panel 26 ga sil-poly painted walls w/30 year warranty
- STD Trim package (header, jamb, eave, base, o.c., gable and ridge cap)
- 1 framed opening centered on endwall (door not included)
- 40' x 60' x 16' has two framed openings (one in each endwall)
- Includes anchor bolt plans and full erection drawings

DOES NOT INCLUDE:

- Delivery to job site
- Anchor bolts
- Gutter and downspouts
- Roll-up doors, walk door, windows
- Insulation
- Engineering seal on drawings
- Items listed above can be added for an additional charge
- Erection

CODE AND LOAD

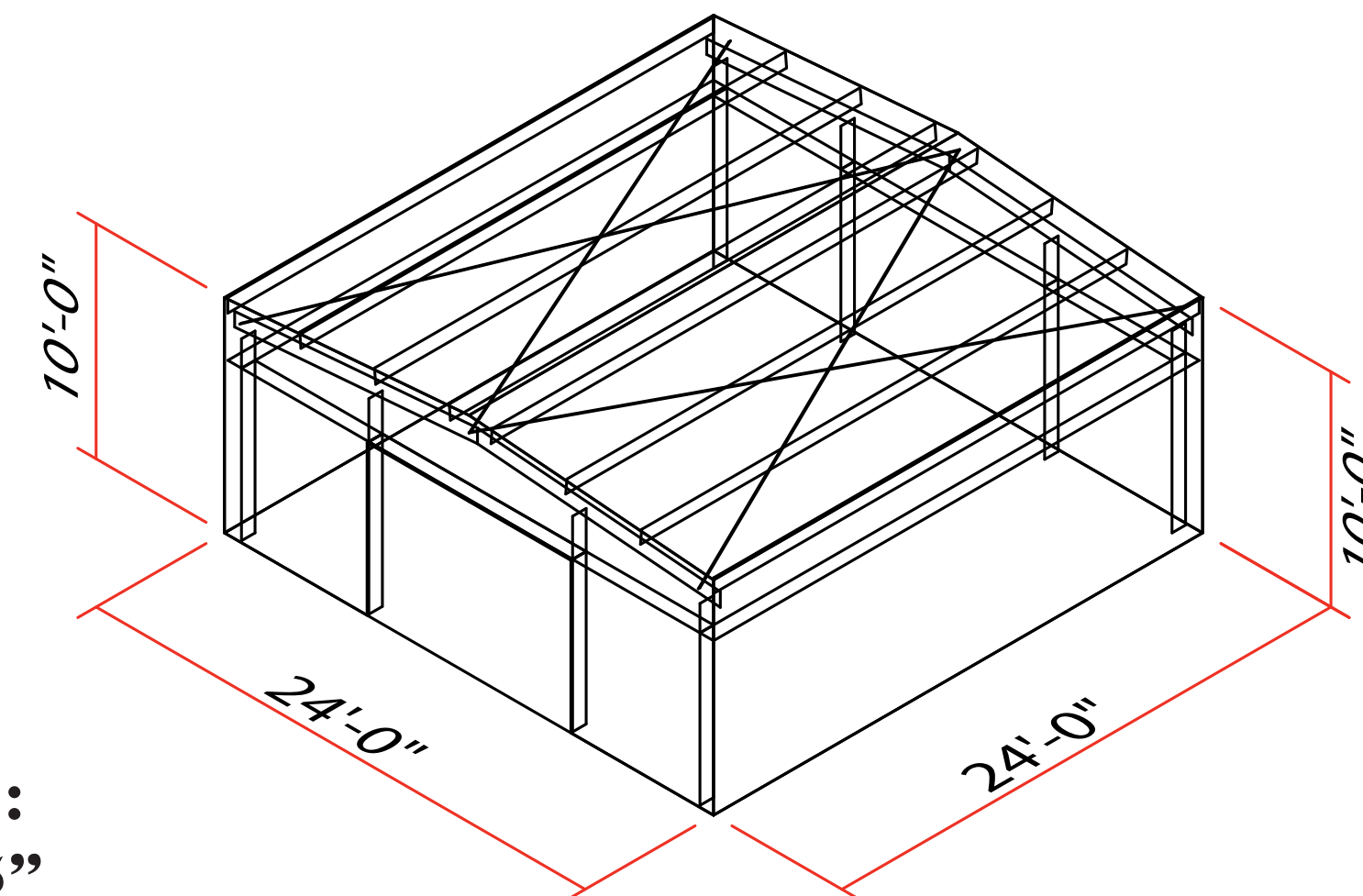
Buildings are designed to the building codes and loads listed. It is the responsibility of the customer to determine if the products supplied are in accordance with the building codes and loads required. Please contact your local permitting office for specific requirements.

BUILDING OCCUPANCY

This building is designed as risk Category II

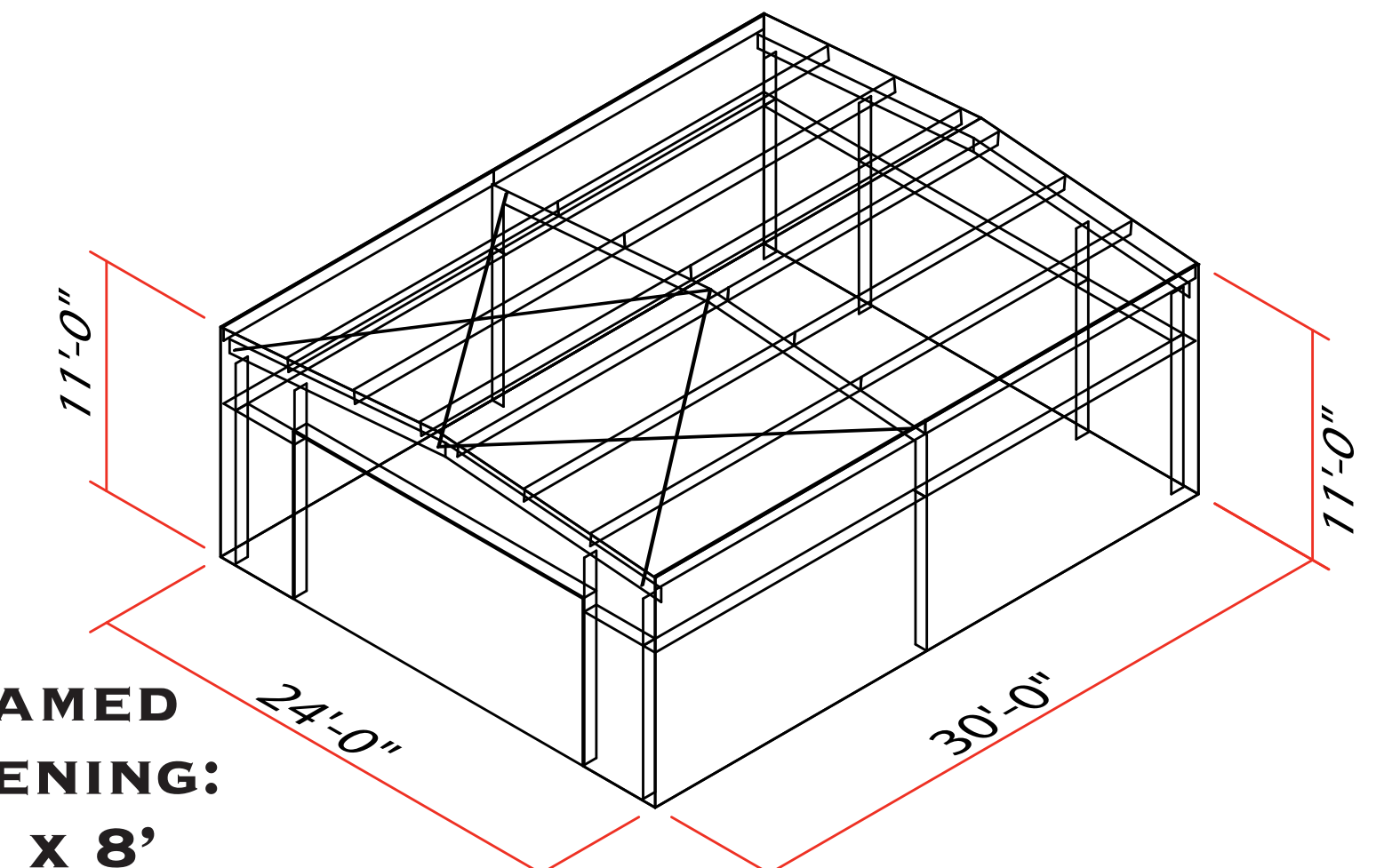
NOTE: These are "KITS" intended to satisfy the fastest lead time requirements and to offer our most competitive price. Many other sizes and options are available. An Engineer's seal is also available on any building for an additional fee.

24' x 24' x 10'



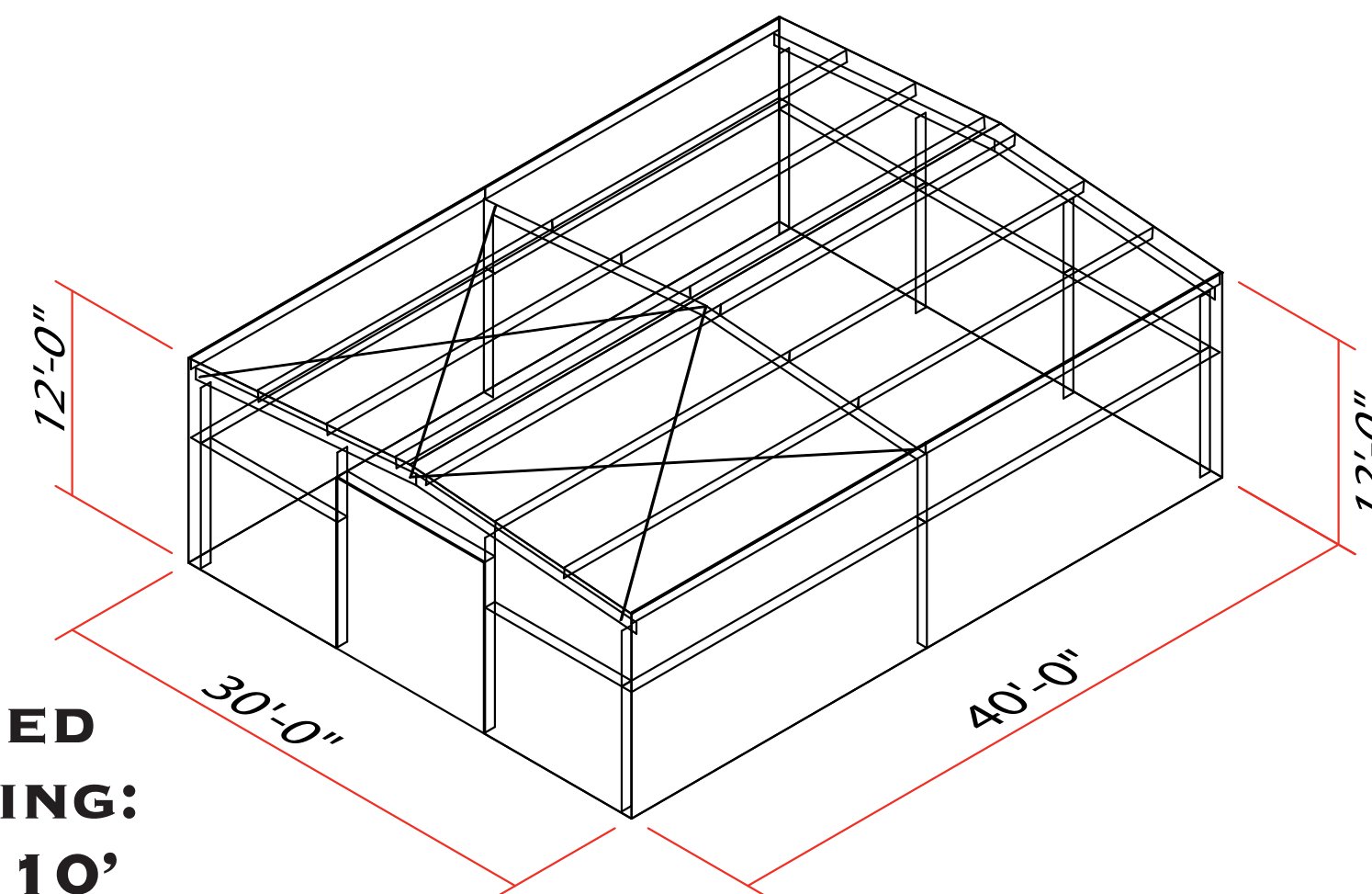
FRAMED
OPENING:
10' x 7'6"

24' x 30' x 11'



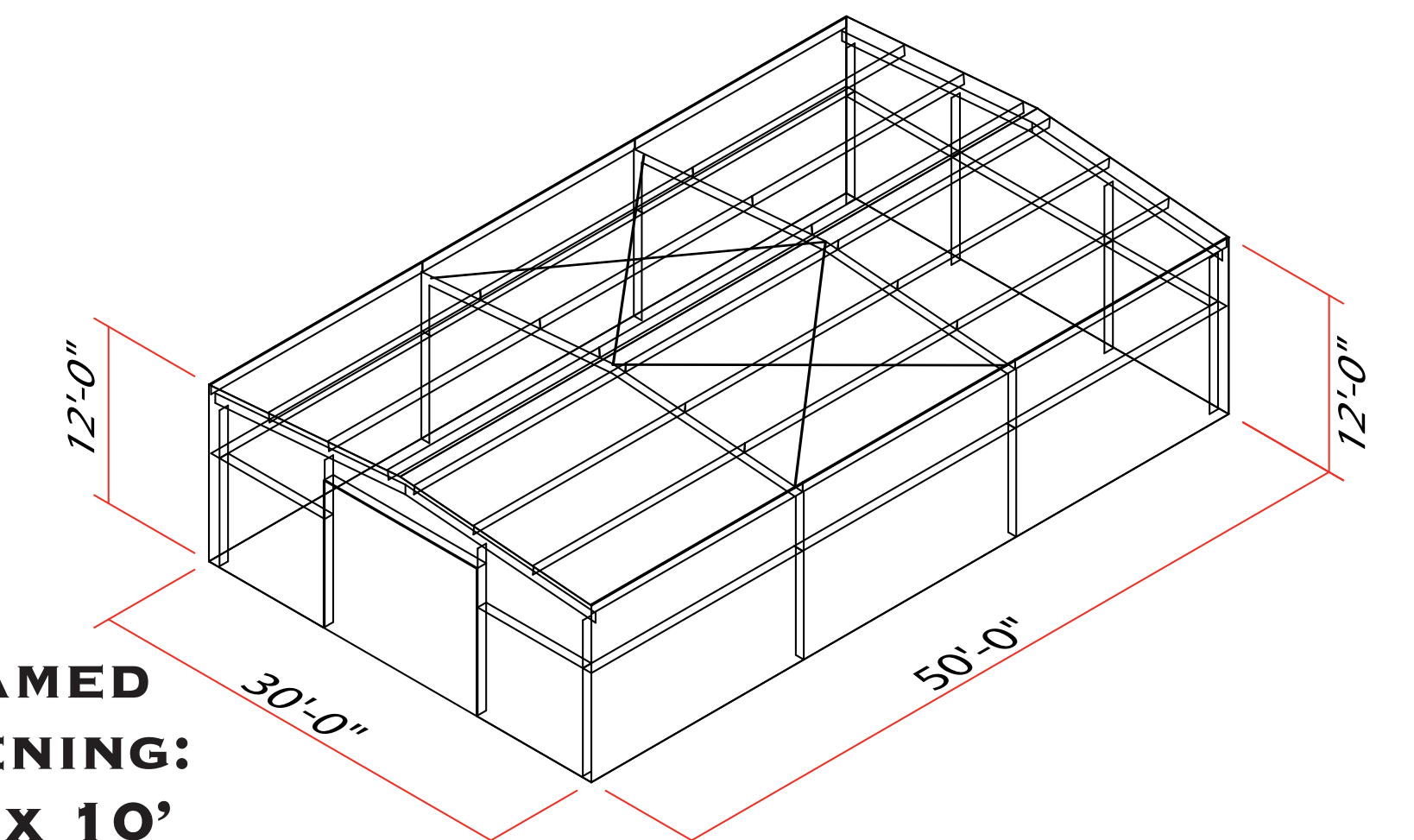
FRAMED
OPENING:
16' x 8'

30' x 40' x 12'



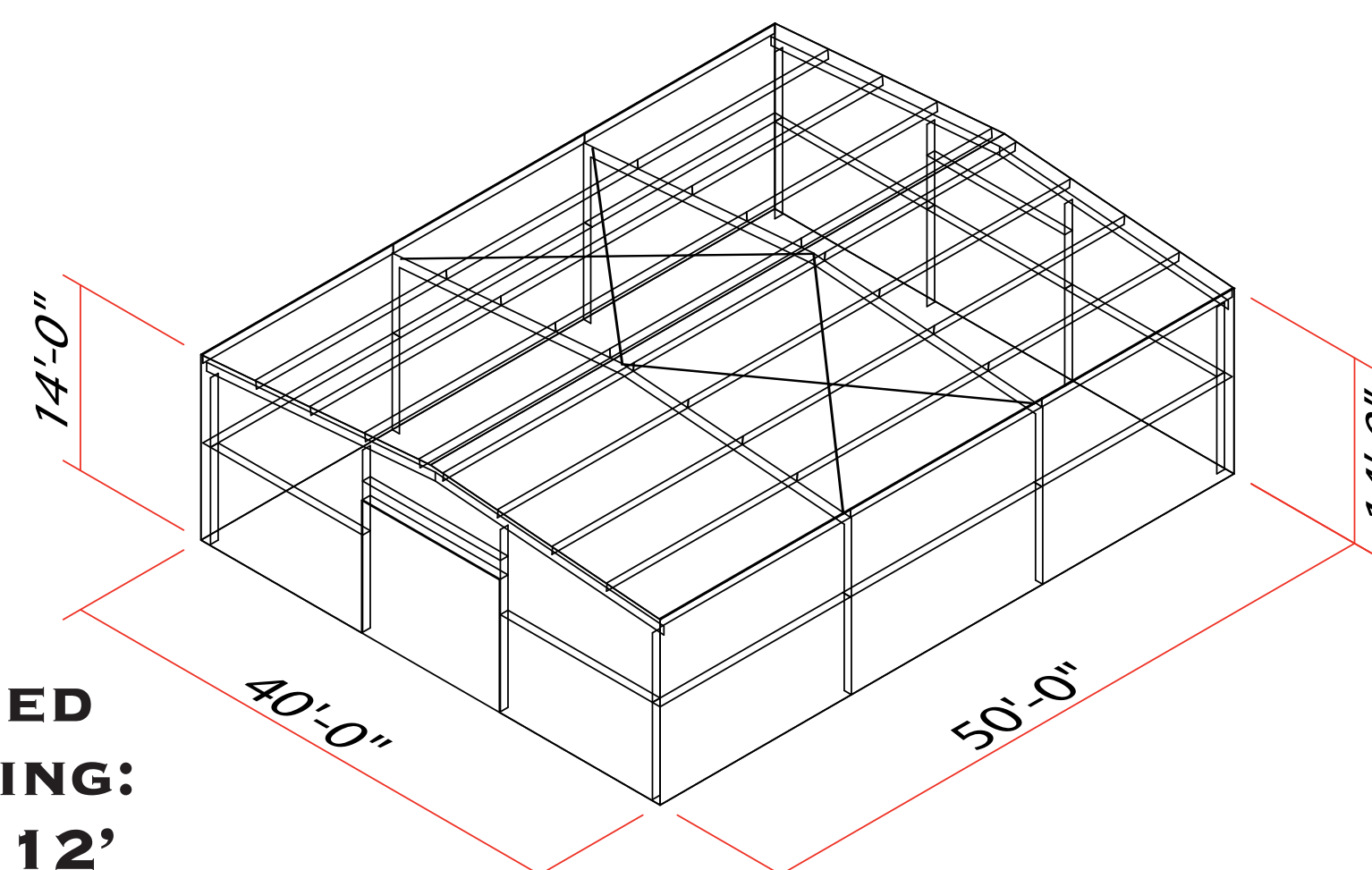
FRAMED
OPENING:
10' x 10'

30' x 50' x 12'



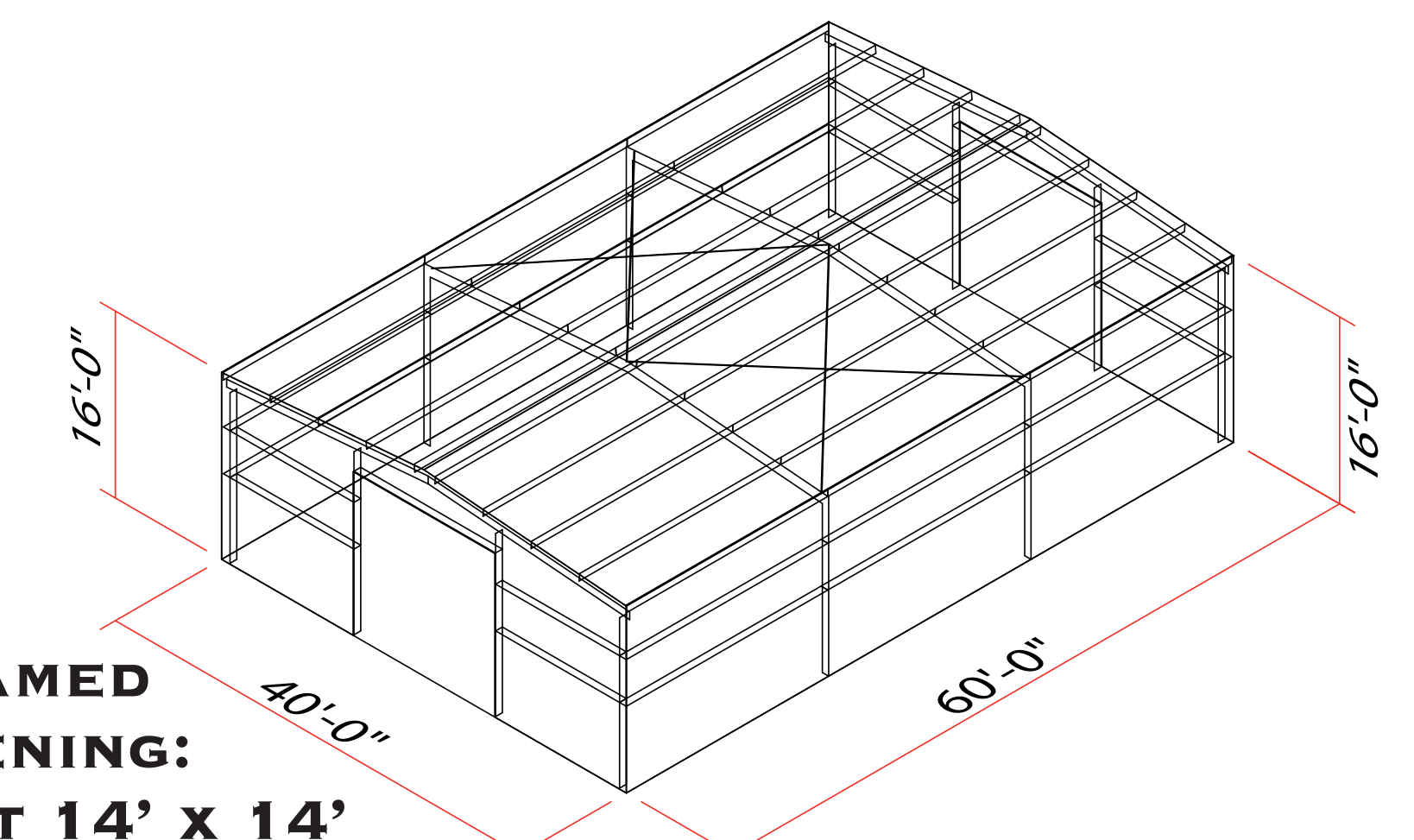
FRAMED
OPENING:
12' x 10'

40' x 50' x 14'



FRAMED
OPENING:
12' x 12'

40' x 60' x 16'



FRAMED
OPENING:
2 AT 14' x 14'