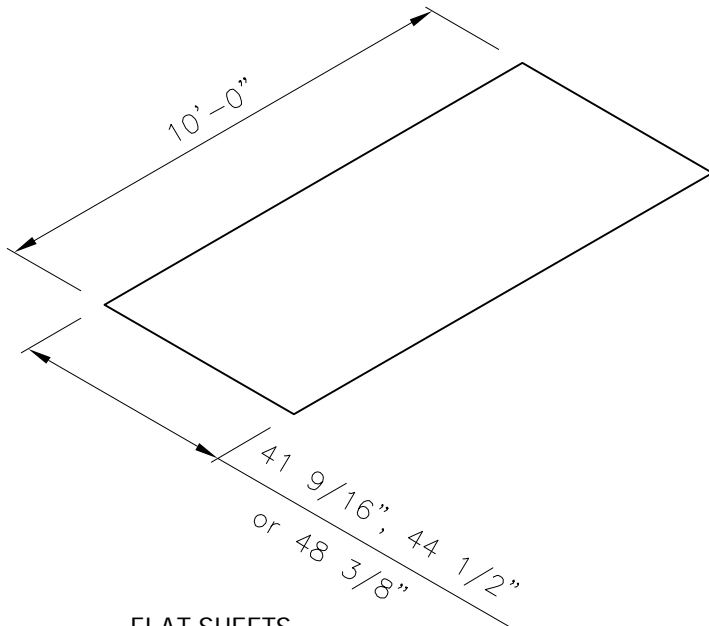
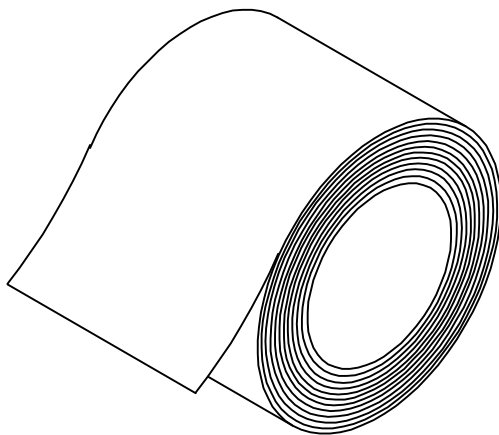


## Flat Sheet / Slit Coil

## Product Data



FLAT SHEETS



COIL STOCK

### Applications

Flat Sheets come in standard lengths of 10'-0" and standard widths of: 41 9/16", 44 1/2" and 48 3/8". Please contact your McElroy Metal representative for availability per producing plant.

### Material

Availability - \*22 GA. ASTM A792 (50 ksi steel) AZ55 - Bare  
AZ50 - Painted  
- 24 GA. ASTM A792 (50 ksi steel) AZ55 - Bare  
AZ50 - Painted  
- 26 GA. ASTM A792 (50 ksi steel) AZ55 - Bare  
AZ50 - Painted  
- \*\*29 GA. ASTM A792 (37 ksi steel) AZ55 - Bare  
AZ50 - Painted

\*Note: Check Availability with your McElroy Metal Representative.

\*\*Note: Available in 48 3/8" wide coil only.

### Slit Coil

Master Coil Slitting in the following plants:

Adelanto, CA  
Clinton, IL  
Houston, TX  
Peachtree City, GA  
Sunnyvale, TX  
Winchester, VA

### Finishes

Acrylic Coated Galvalume®  
Fluoropolymer (Kynar 500® PVDF resin-based)  
Siliconized Polyester and Polyester

\*\*Oil canning is inherent in all metal and is not cause for rejection.\*\*

### NOTE:

All data represented on this sheet may not be applicable to all widths and gauges. Please contact McElroy Metal for more information.