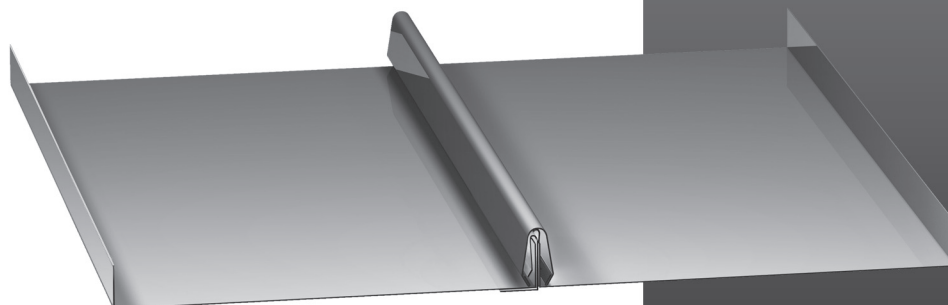


MEDALLION I

INSTALLATION




MCELROY
METAL

TABLE OF CONTENTS

PAGE NUMBER:	DETAIL DESCRIPTION
A-1.....	TABLE OF CONTENTS
A-2.....	GENERAL NOTES
B-1.....	EAVE NOTCHING and FOLDING
C-1.....	EAVE w/ OFFSET CLEAT DETAIL
C-2.....	EAVE w/ DRIP TRIM DETAIL
C-3.....	EAVE w/ GUTTER DETAIL
C-4.....	EAVE w/ FASCIA PANEL DETAIL
C-5.....	EAVE DRIP w/ FASCIA PANEL DETAIL
C-6.....	EAVE TO WALL PANEL TRANSITION DETAIL
C-7.....	RAKE DETAIL
C-8.....	RAKE DETAIL (OFF MODULE)
C-9.....	RAKE TO WALL PANEL DETAIL
C-10.....	RAKE TO WALL PANEL DETAIL (OFF MODULE)
C-11.....	RAKE FOLD DETAIL
C-12.....	RAKE DETAIL (ALTERNATE)
C-13.....	RAKE TIE-IN DETAIL
C-14.....	RAKE TIE-IN DETAIL (OFF MODULE)
C-15.....	RIDGE / HIP DETAIL
C-16.....	HIGH EAVE DETAIL
C-17.....	HIGH EAVE TO WALL PANEL DETAIL
C-18.....	HI-SIDE TIE-IN DETAIL
C-19.....	VALLEY DETAIL
C-20.....	PANEL END LAP DETAIL
C-21.....	DEKTITE (PIPE PENETRATION) DETAIL
C-22 & C-23.....	TYPICAL TRIM LAP DETAILS

GENERAL NOTES

The details shown on the following pages are suggestions or guidelines for installing the Medallion I roof panel system over plywood. The installation details shown here are proven methods of construction, but they are not intended to cover all building requirements, designs or codes. The details may require changes or revisions due to individual project conditions.

Installation procedures shall be in accordance with the manufacturer's printed instructions, details or approved shop drawings. Installers should thoroughly familiarized themselves with all instructions prior to beginning the installation process.

The designer/installer is responsible to ensure the following:

That the details here meet the particular building requirements.

Awareness of and allowance for expansion/contraction of the roof panels.

That adequate water-tightness is maintained.

That a proper uniform substructure is used to avoid panel distortion and that the substructure meets necessary code requirements.

That all supporting members have been examined and are straight, level and plumb.

McElroy Metal can provide all flashings and accessories shown in the installation drawings unless noted otherwise. Panels, flashing and trim shall be installed true and in proper alignment with any exposed fasteners equally spaced for the best appearance. Sealant shall be field applied on a clean, dry surface.

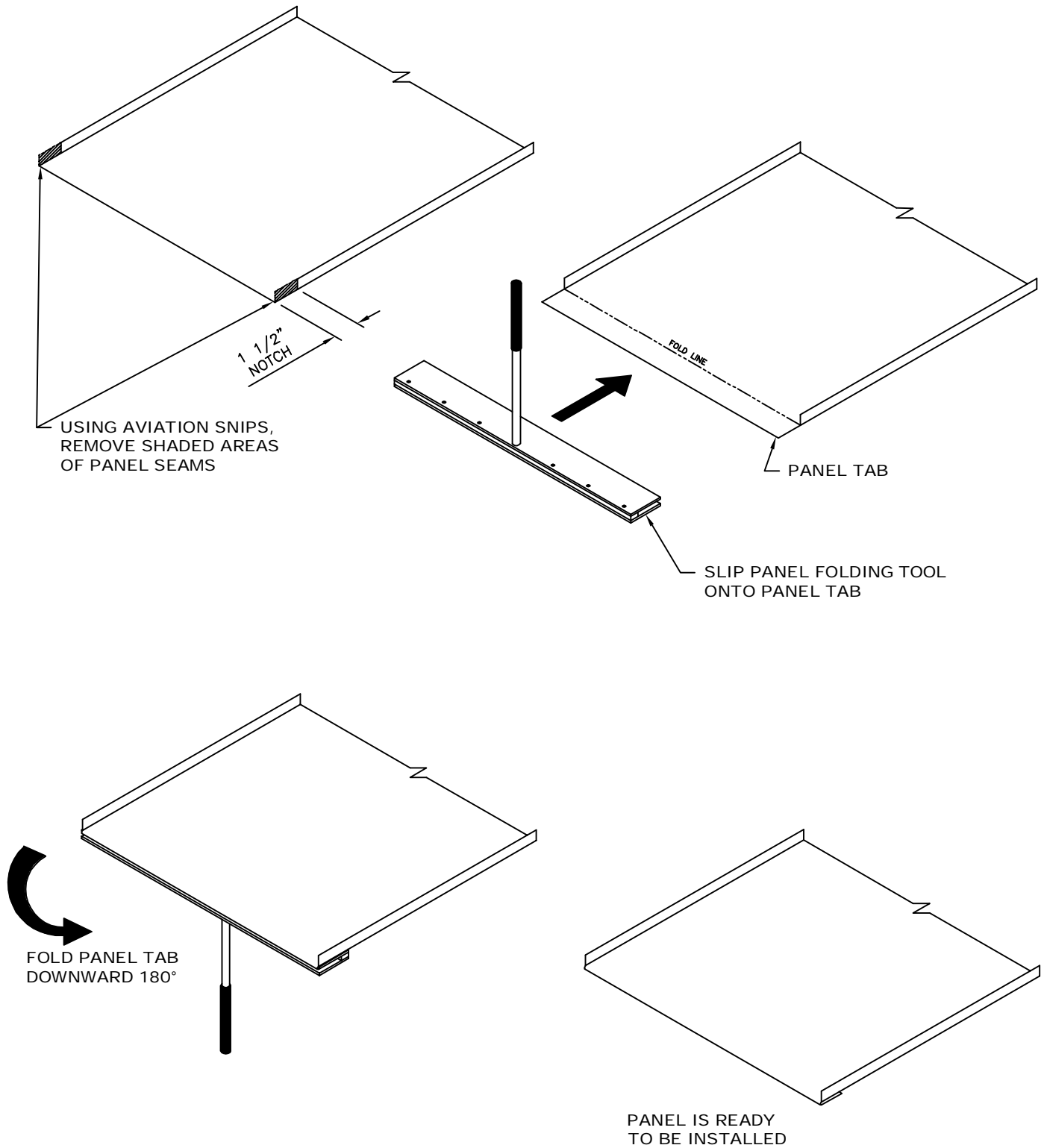
Some field cutting and fitting of panels and flashings is to be expected and to be considered a part of normal installation work. Workmanship shall be of the best industry standards and with installation performed by experienced metal craftsmen.

Oil canning of metal panels is in the product and is not a cause for rejection. Striated panels are recommended as the reduce the appearance of oil canning.

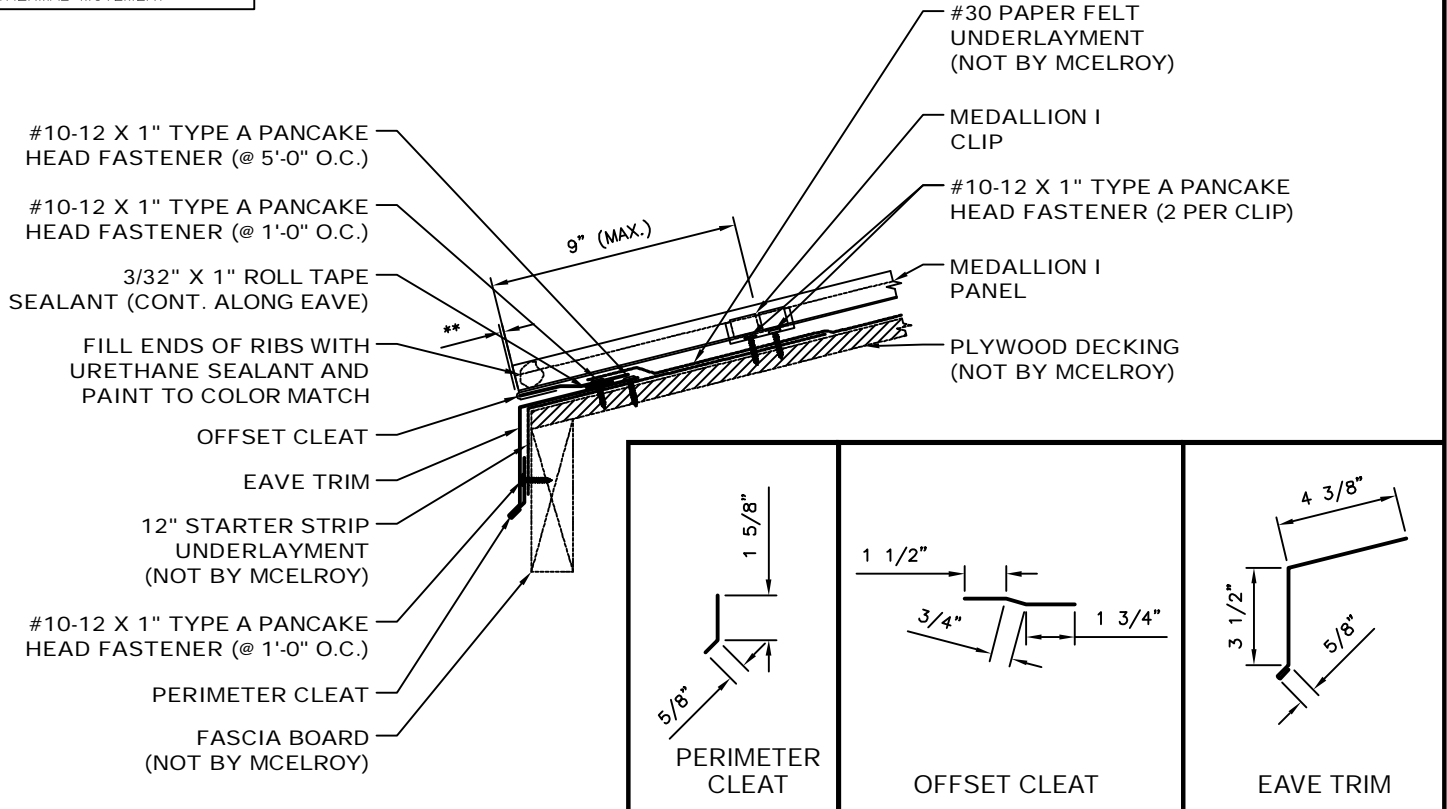
Contents of this manual are subject to change without notice. To confirm this book is the most current copy, please visit McElroy Metal's website at www.mcelroymetal.com.

PANEL EAVE NOTCHING/FOLDING

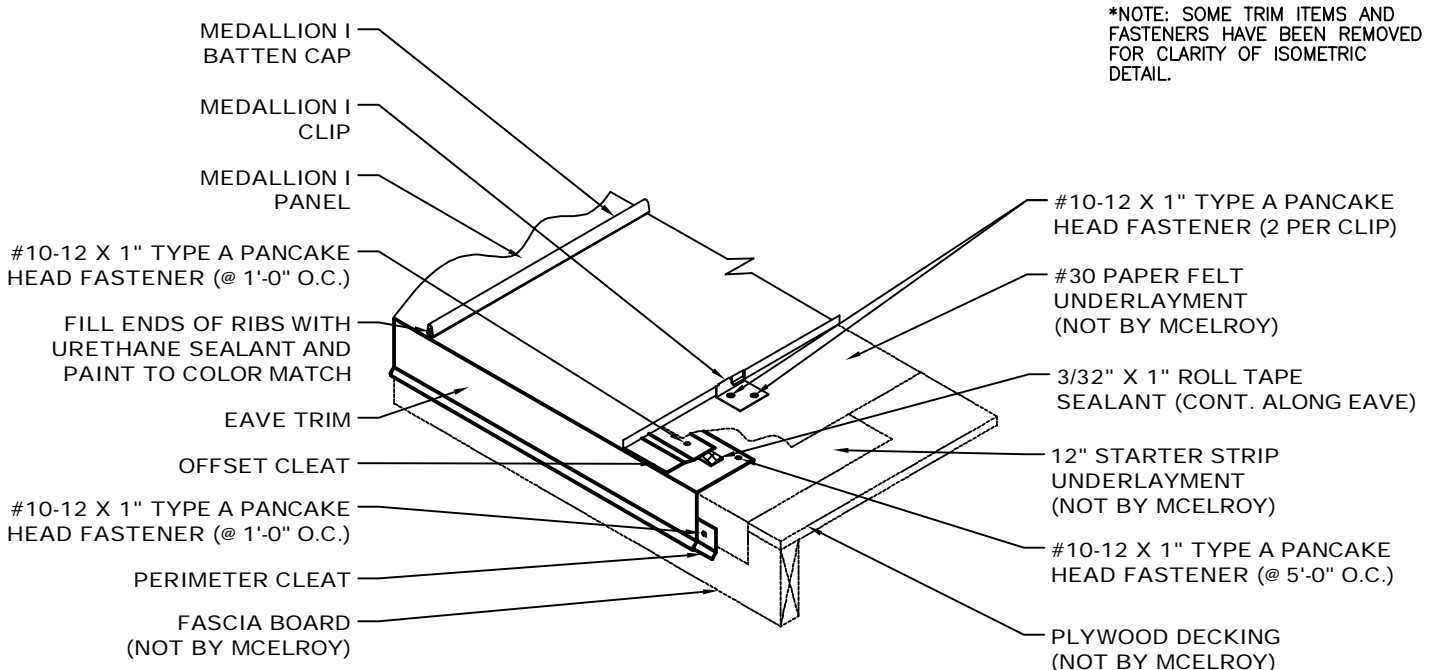
MEDALLION I EAVE NOTCHING & FOLDING



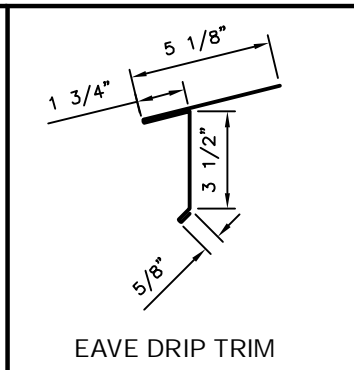
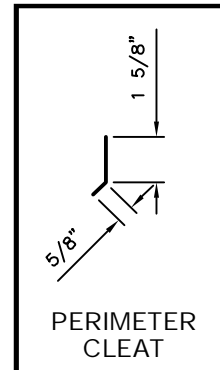
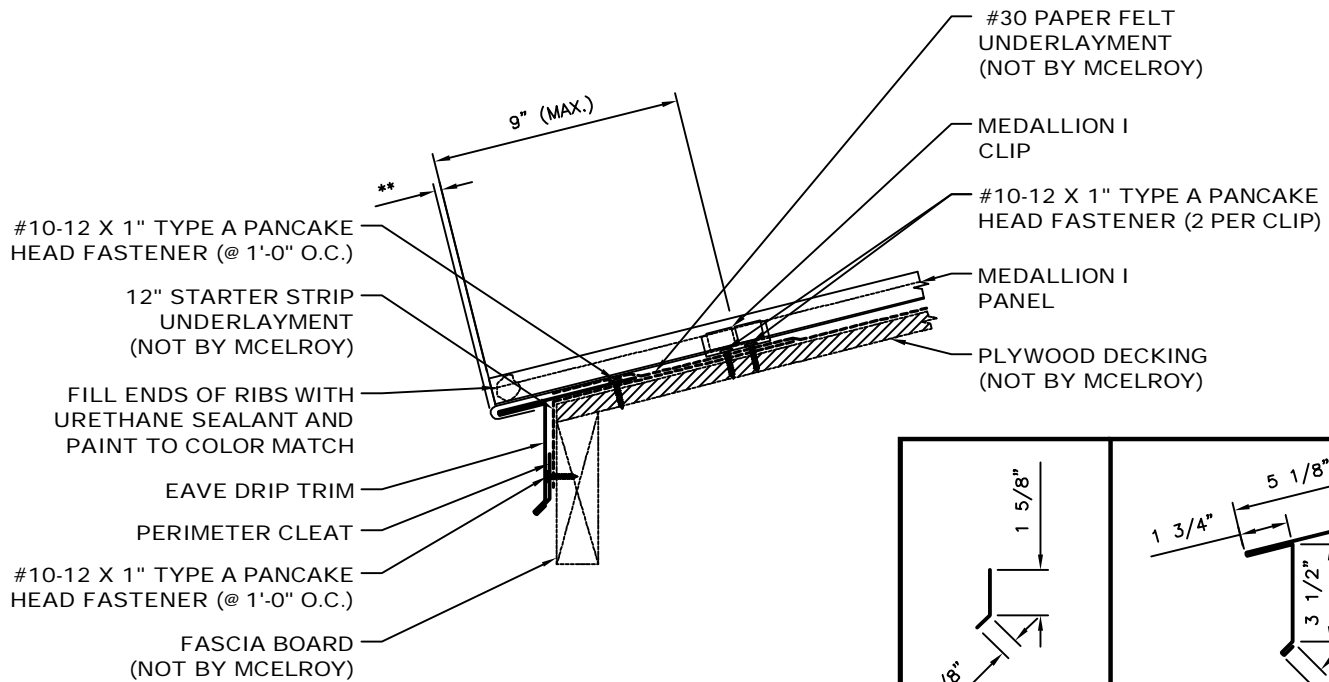
**** CLEARANCE REQUIRED FOR THERMAL MOVEMENT**



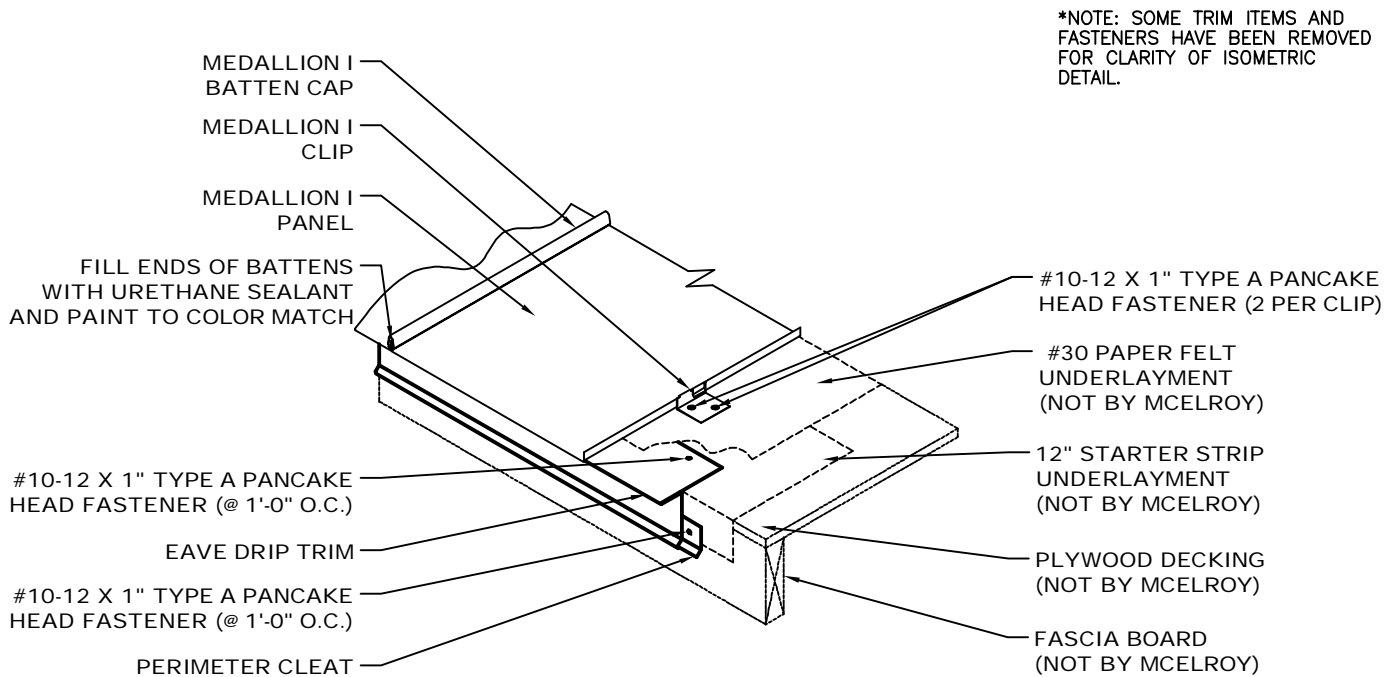
- NOTES:**
1. Attach Perimeter Cleat to fascia with #10-12 x 1" Type A Pancake Head Fasteners at 1'-0" O.C.
 2. Hook Eave Trim onto Perimeter Cleat and attach to substrate with #10-12 x 1" Type A Pancake Head Fasteners at 5'-0" O.C. making sure to fasten in upper area of flange.
 3. Apply 3/32" x 1" Roll Tape Sealant to flange of Eave Trim in a continuous line along the length of the eave
 4. Attach Offset Cleat as shown and fasten to substrate with #10-12 x 1" Type A Fasteners at 1'-0" O.C. making sure to fasten through or just above sealant line.
 5. After notching and folding panel as shown on page B-2, install panel and secure in place with clips.



**** CLEARANCE REQUIRED FOR THERMAL MOVEMENT**

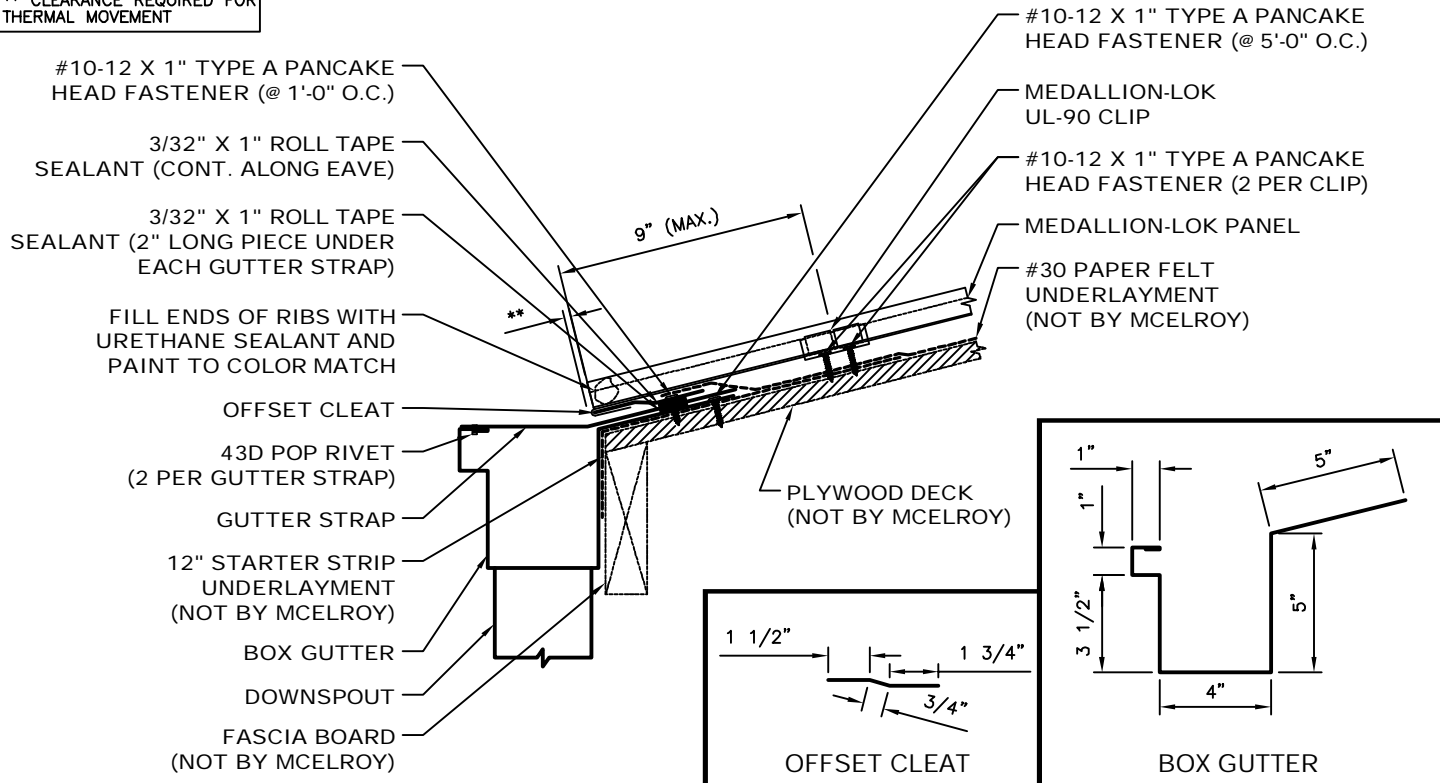


- NOTES: 1. Attach Perimeter Cleat to fascia with #10-12 x 1" Type A Pancake Head Fasteners at 1'-0" O.C.
 2. Hook Eave Drip Trim onto Perimeter Cleat and attach to substrate with #10-12 x 1" Type A Pancake Head Fasteners at 1'-0" O.C.
 3. After notching and folding panel as shown on page B-2, install panel and secure in place with clips.



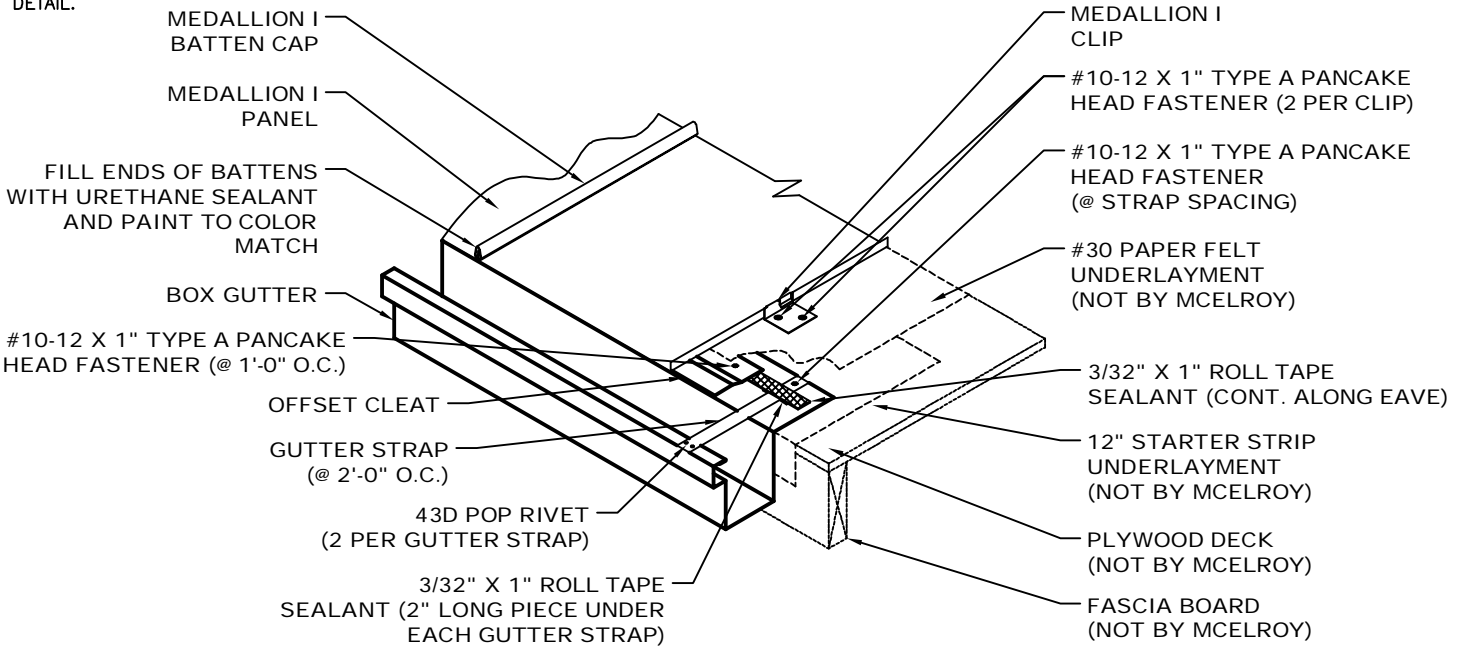
*NOTE: SOME TRIM ITEMS AND FASTENERS HAVE BEEN REMOVED FOR CLARITY OF ISOMETRIC DETAIL.

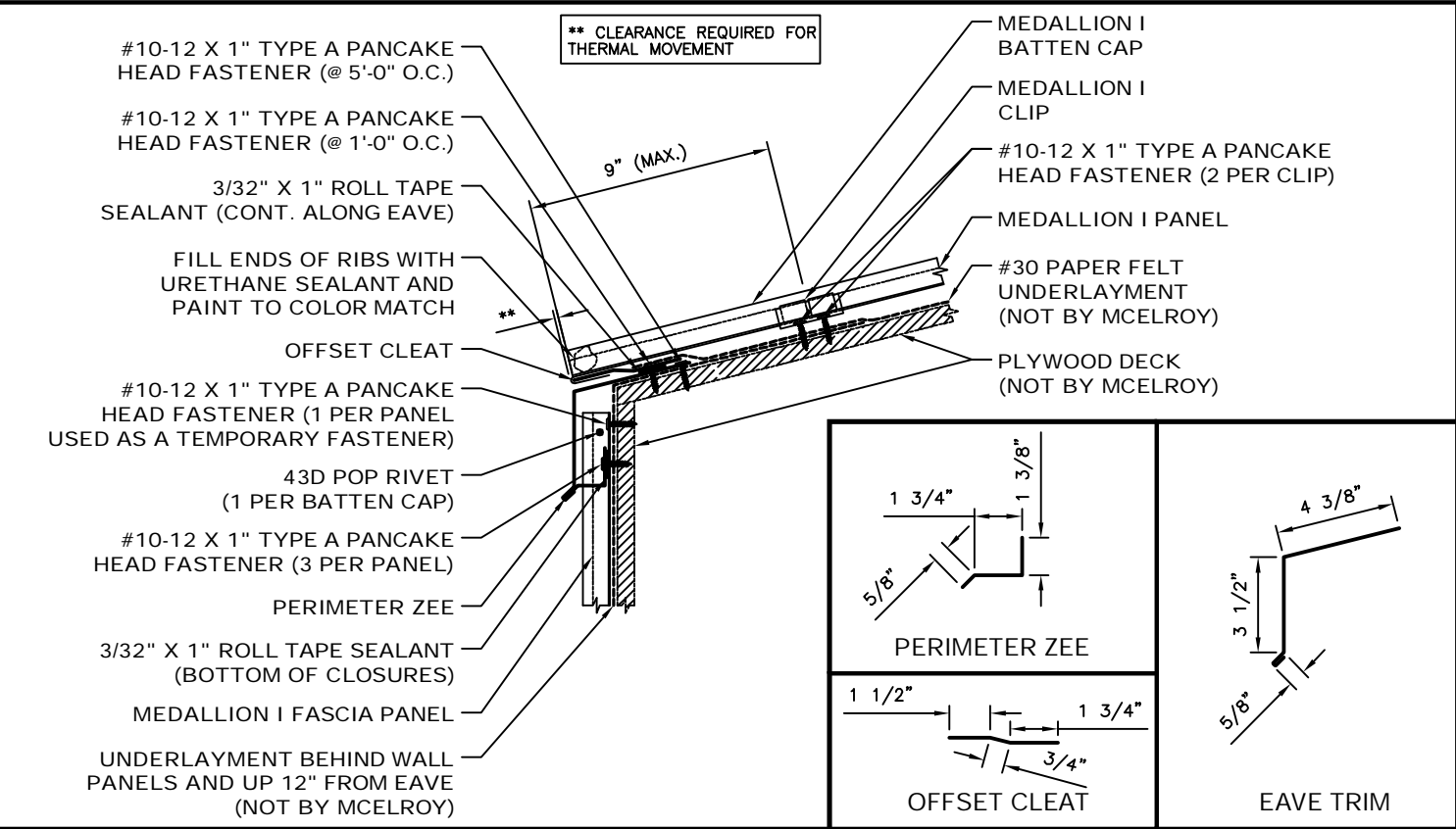
**** CLEARANCE REQUIRED FOR THERMAL MOVEMENT**



- NOTES:**
1. Install Gutter using #10-12 x 1" Type A Pancake Head Fasteners at 5'-0" O.C.
 2. Place Gutter Straps at 2'-0" O.C. along the eave, setting them on a 2" long piece of 3/32" x 1" Roll Tape Sealant on top of Gutter flange, making sure to center the strap over the piece of tape. Attach Gutter Straps with #10-12 x 1" Type A Pancake Head Fasteners at strap spacing.
 3. Apply 3/32" x 1" Roll Tape Sealant to flange of Gutter in a continuous line along the length of the eave. Tape Sealant will go over Gutter Strap and 2" piece of tape.
 4. Attach Offset Cleat with #10-12 x 1" Type A Pancake Head Fasteners at 1'-0" O.C.
 5. After notching and folding panel as shown on page B-2, install panel and secure in place with clips.
 6. Field bend Gutter Strap and attach to Gutter with two (2) 43D Pop Rivets.

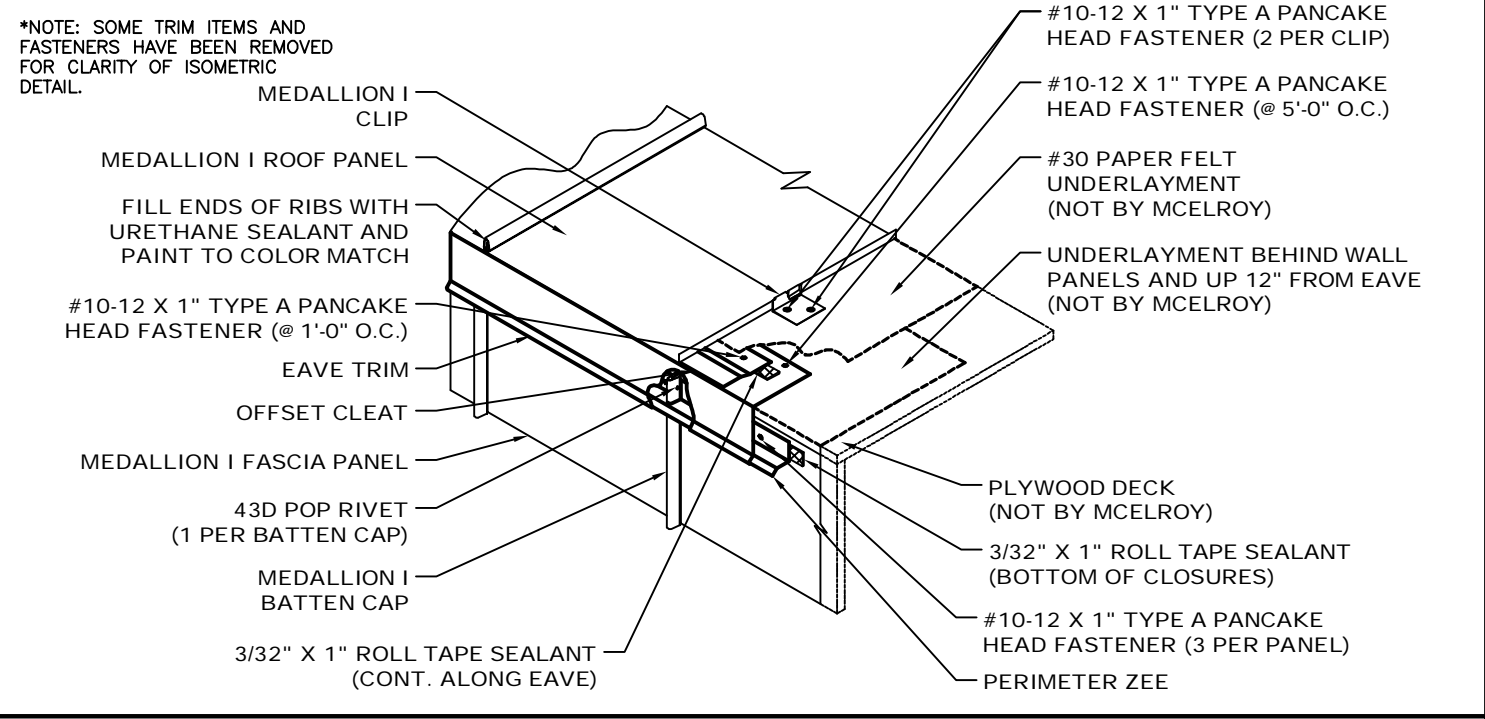
***NOTE: SOME TRIM ITEMS AND FASTENERS HAVE BEEN REMOVED FOR CLARITY OF ISOMETRIC DETAIL.**



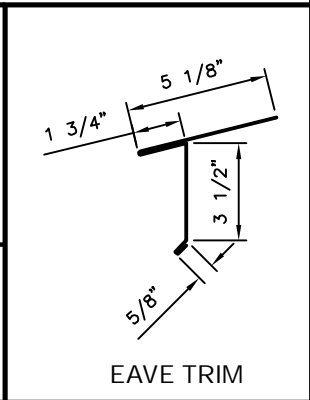
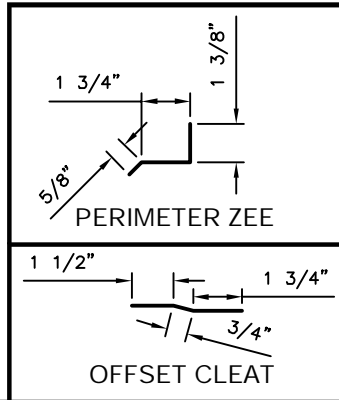
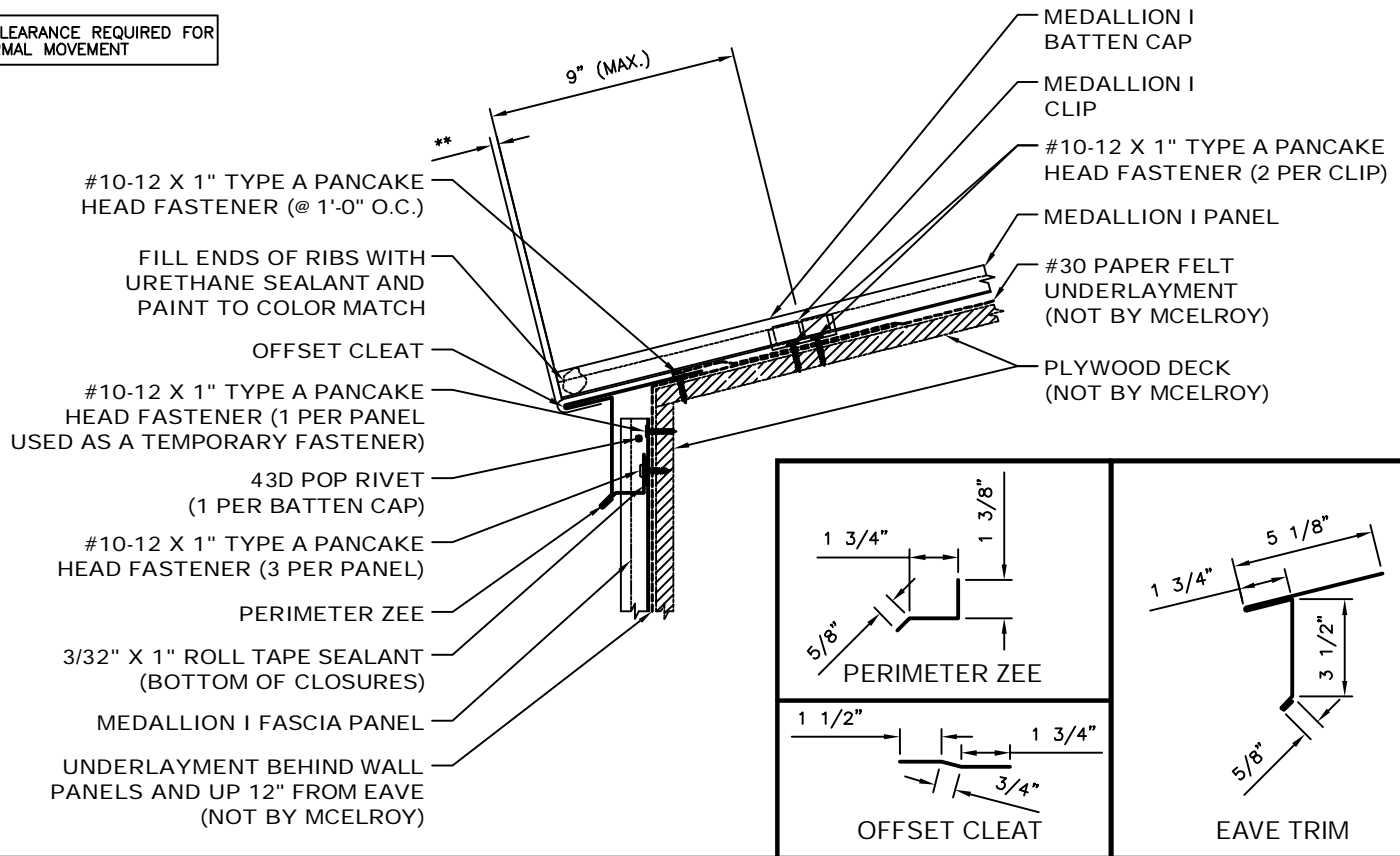


- NOTES:**
1. Attach Medallion I Fascia panels as directed.
 2. Install Perimeter Zee as shown.
 3. Hook Eave Trim onto Perimeter Cleat and attach to substrate with #10-12 x 1" Type A Pancake Head Fasteners at 5'-0" O.C. making sure to fasten in upper area of flange.
 4. Apply 3/32" x 1" Roll Tape Sealant to flange of Gutter in a continuous line along the length of the eave.
 5. Attach Offset Cleat as shown and fasten to substrate with #10-12 x 1" Type A Fasteners at 1'-0" O.C. making sure to fasten through or just above sealant line.
 6. After notching and folding panel as shown on page B-2, install panel and secure in place with clips.
 7. Install Batten Cap by placing them on top of panel clip and snapping them down onto the clips. Behind where the Outside Closure will sit, place a 43D Pop Rivet through Batten Cap into panel leg.

*NOTE: SOME TRIM ITEMS AND FASTENERS HAVE BEEN REMOVED FOR CLARITY OF ISOMETRIC DETAIL.

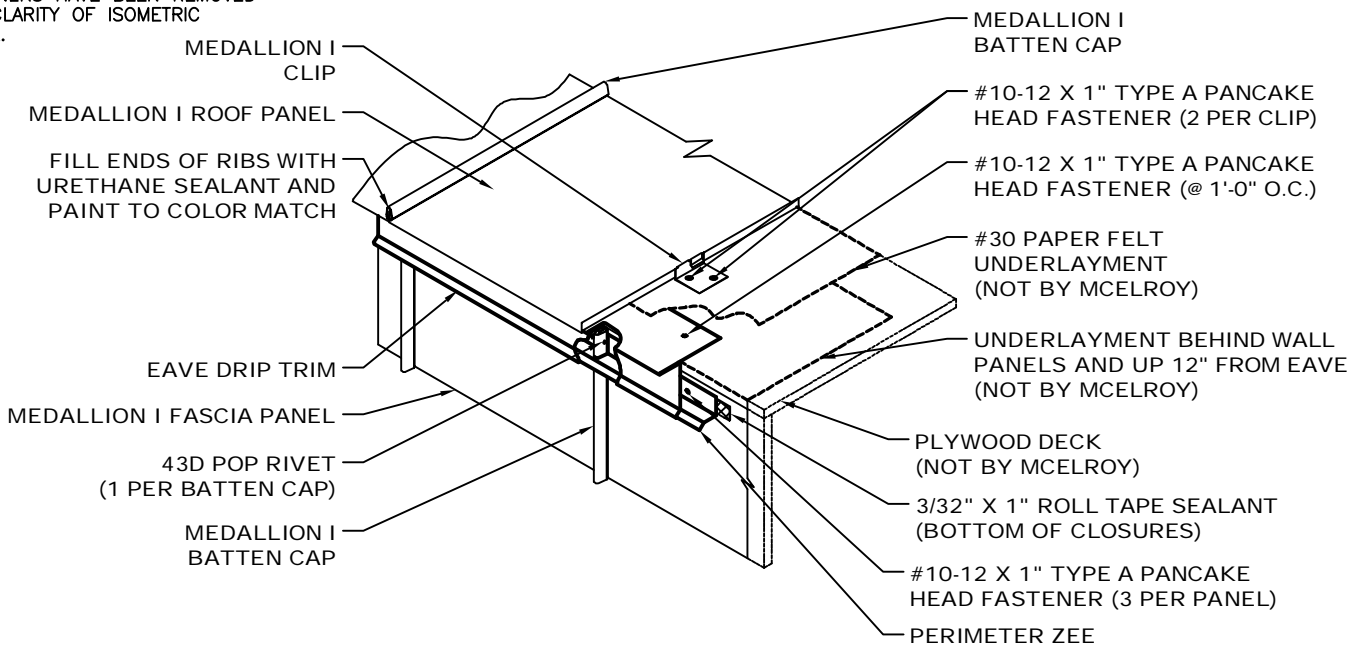


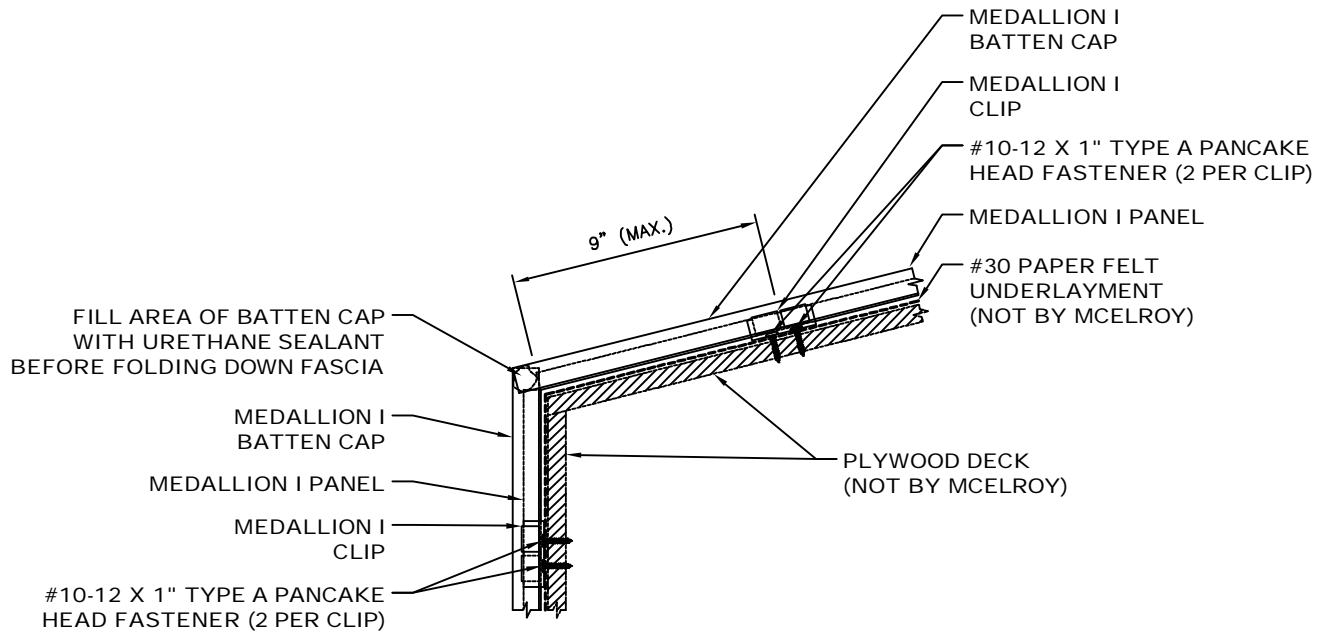
** CLEARANCE REQUIRED FOR THERMAL MOVEMENT



- NOTES:
1. Attach Medallion I fascia panels and Batten Caps as directed.
 2. Install Perimeter Zee as shown.
 3. Hook Eave Drip Trim onto Perimeter Cleat and attach to substrate with #10-12 x 1" Type A Pancake Head Fasteners at 1'-0" O.C. making sure to fasten in upper area of flange.
 4. After notching and folding panel as shown on page B-2, install panel and secure in place with clips.
 5. Install Batten Cap by placing them on top of panel clip and snapping them down onto the clips. Behind where the Outside Closure will sit, place a 43D Pop Rivet through Batten Cap into panel leg.

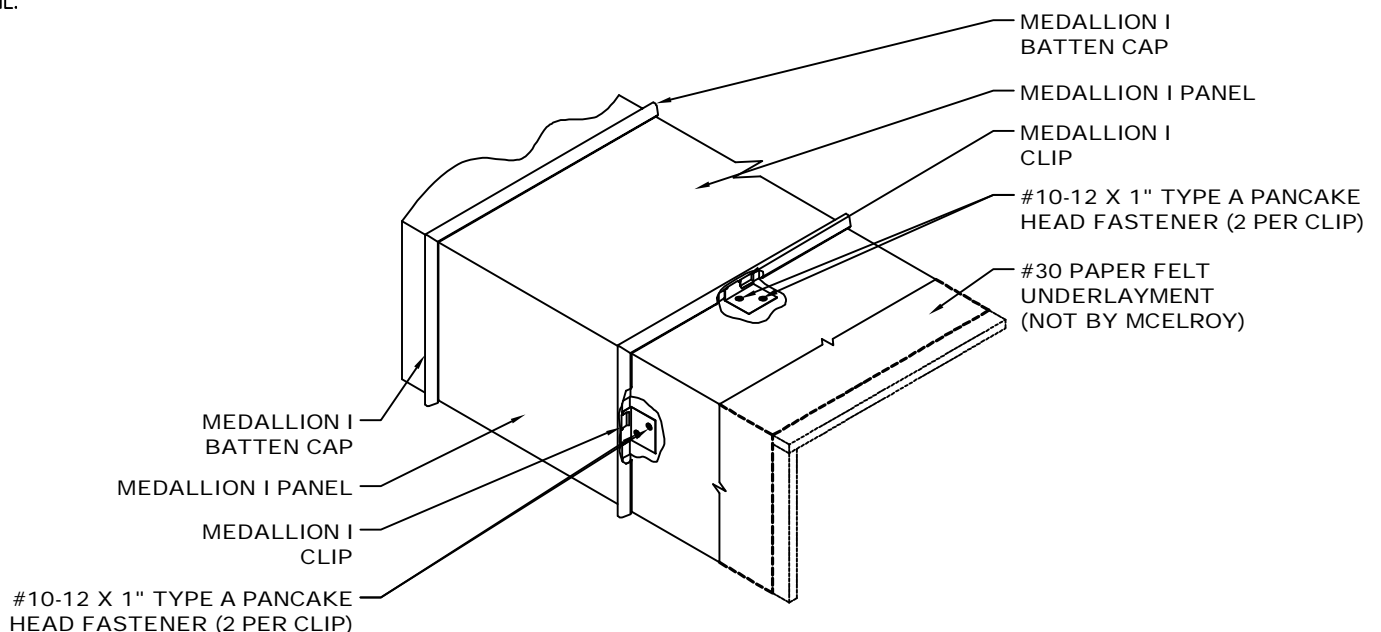
*NOTE: SOME TRIM ITEMS AND FASTENERS HAVE BEEN REMOVED FOR CLARITY OF ISOMETRIC DETAIL.

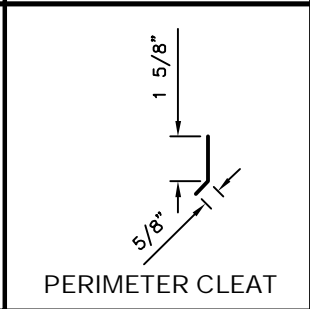
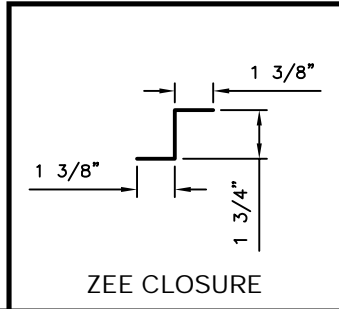
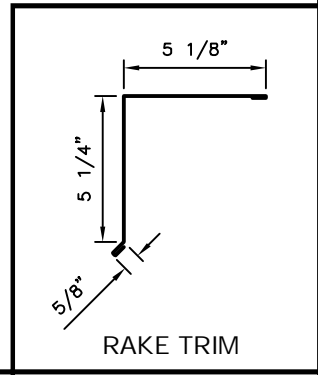
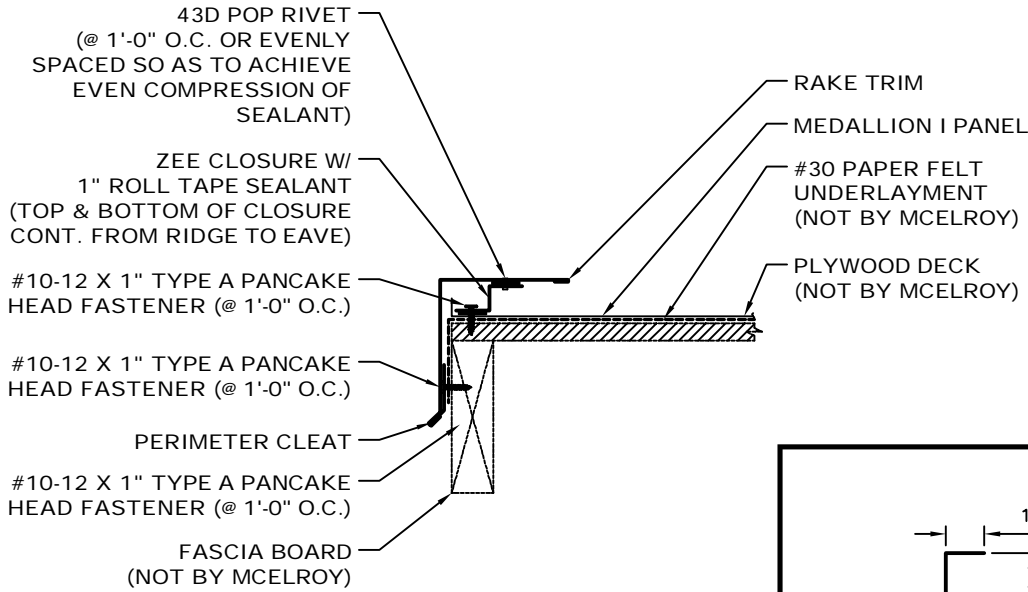




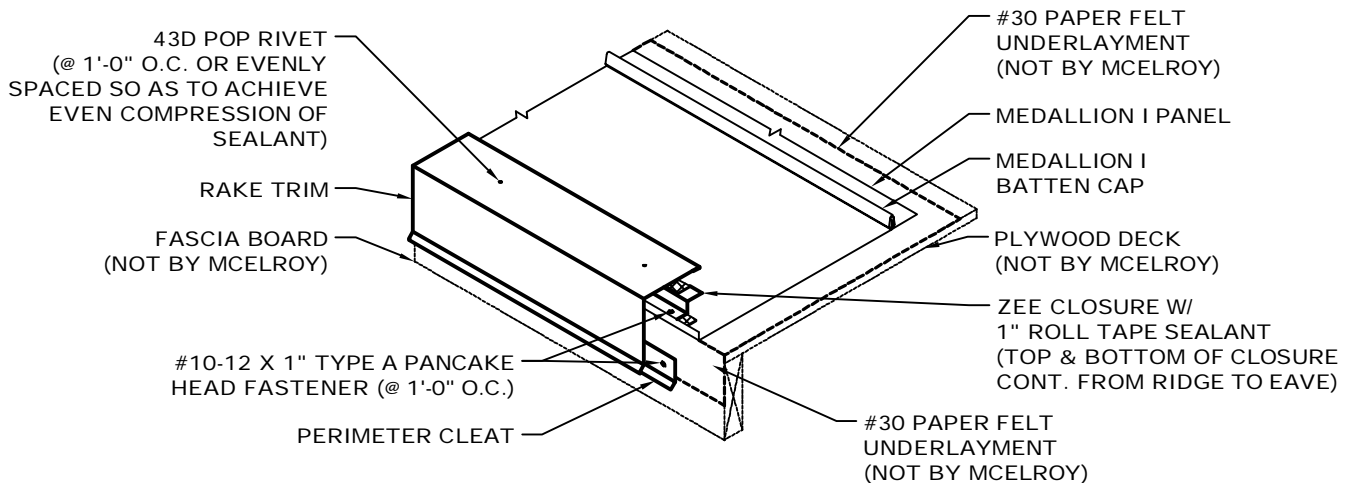
- NOTES:
1. Field cut Medallion I panels and field bend to required transition angle.
 2. Attach Medallion I panels with clip and secure clips with two (2) #10-12 x 1" Type A Pancake Head Fasteners.
 3. Apply Tube Sealant at the panel transition before installing the Batten Caps.
 4. Add 2" to Batten Caps length. Filed notch and field bend to fit panel. Add tube sealant and pop rivet if required.
 5. Snow guards should be used to prevent damage to this detail from sliding snow.

*NOTE: SOME TRIM ITEMS AND FASTENERS HAVE BEEN REMOVED FOR CLARITY OF ISOMETRIC DETAIL.

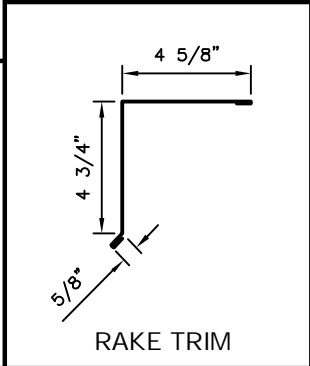
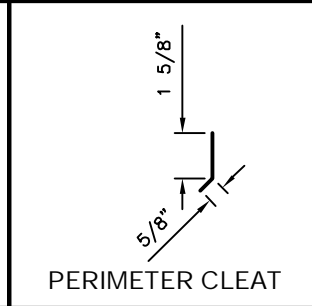
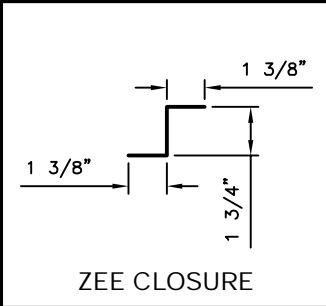
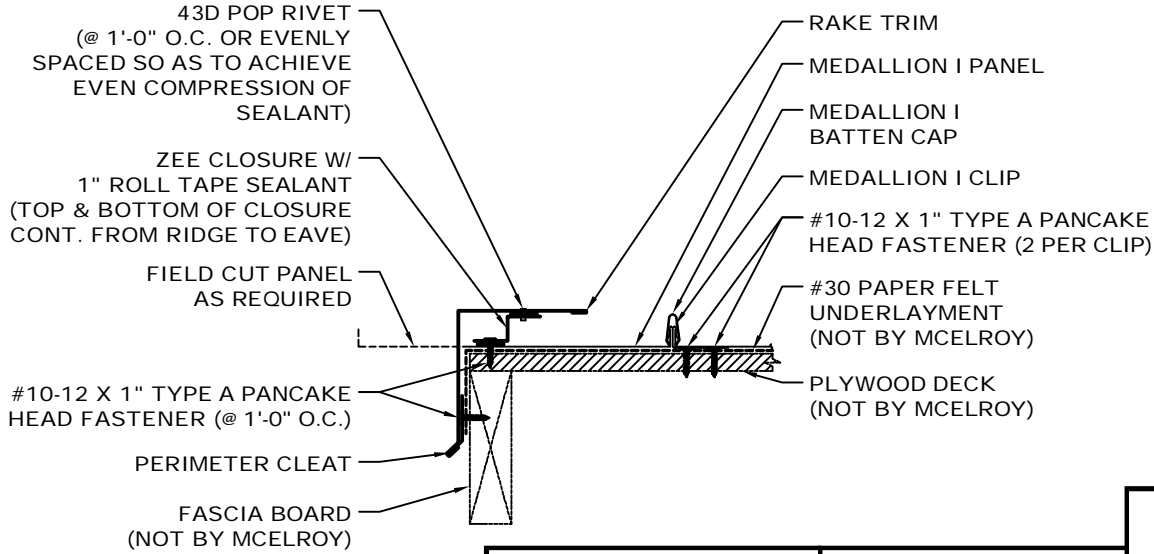




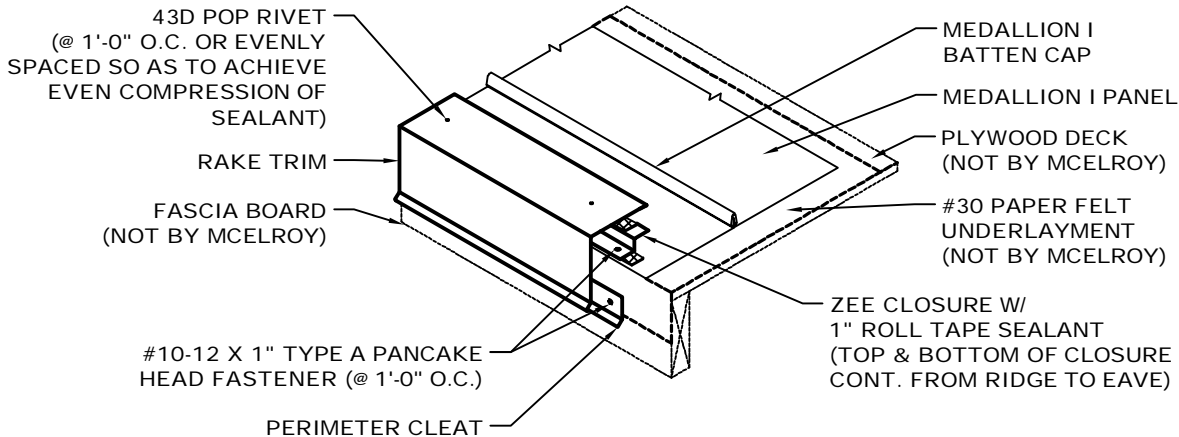
- NOTES: 1. After completing all the eave detail requirements, attach Perimeter Cleat to fascia with #10-12 x 1" Type A Pancake Fasteners at 1'-0" O.C.
2. Start the Medallion I panel at the wood or steel-line as shown.
3. Apply a continuous run of 3/32" x 1" Roll Tape Sealant to the bottom flange of the Zee Closure and attach with #10-12 x 1" Type A Pancake Head Fasteners at 1'-0" O.C.
4. Apply a continuous run of 3/32" x 1" Roll Tape Sealant to the top flange of the Zee Closure.
5. Hook Rake Trim onto Perimeter Cleat and fasten to Zee Closure with 43D Pop Rivets at 1'-0" O.C.



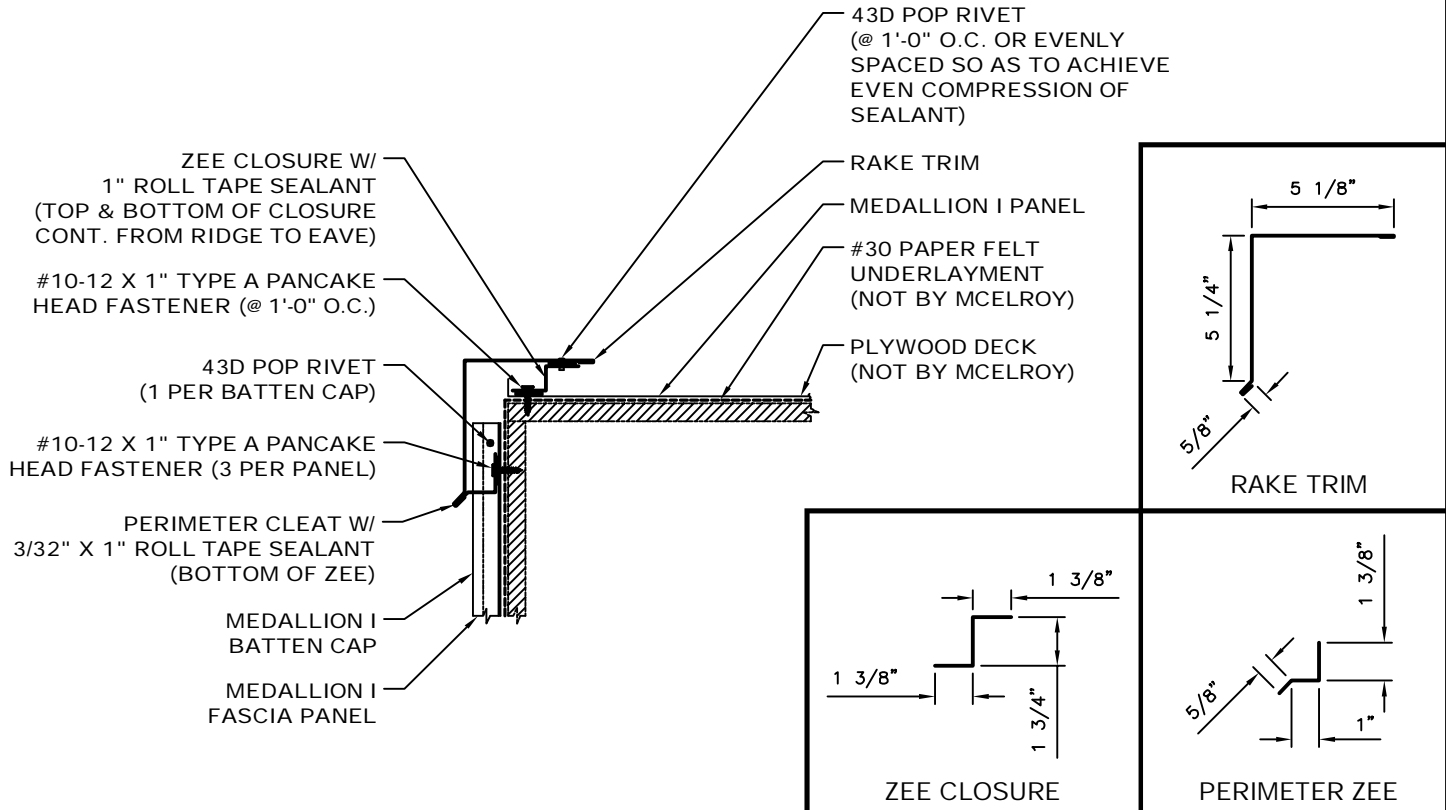
*NOTE: SOME TRIM ITEMS AND FASTENERS HAVE BEEN REMOVED FOR CLARITY OF ISOMETRIC DETAIL.



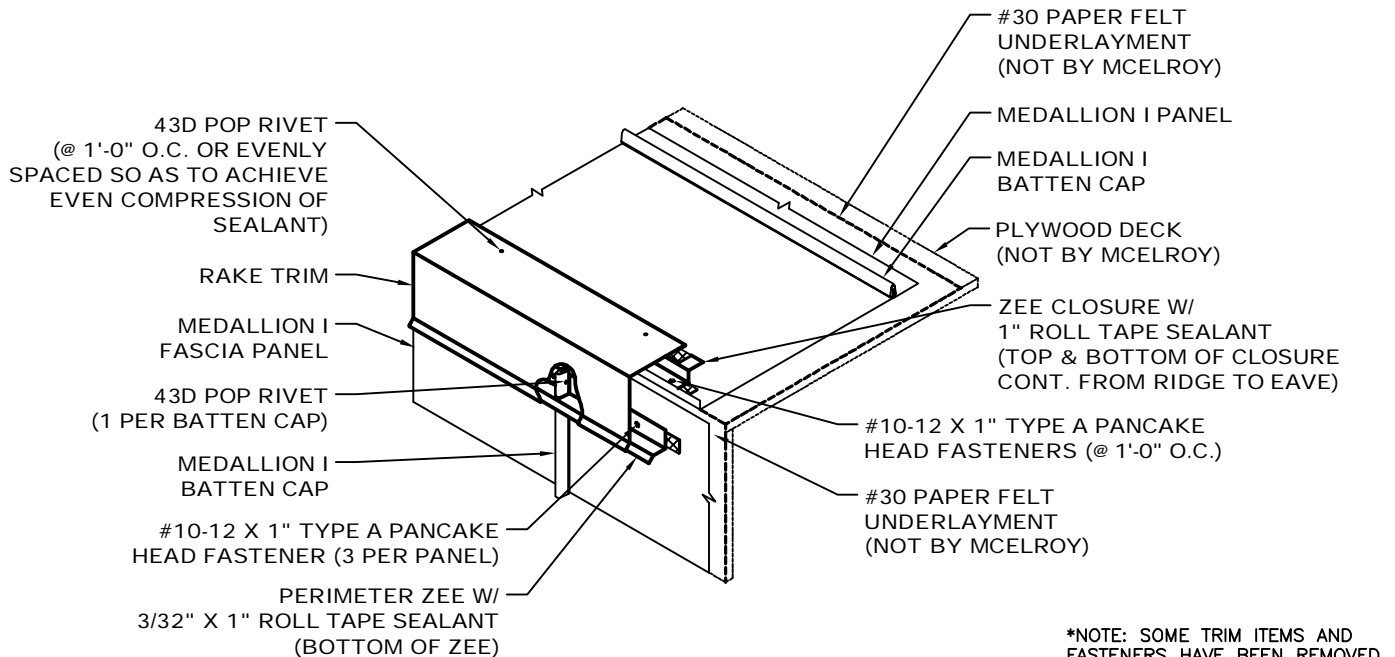
- NOTES: 1. After completing all the eave detail requirements, attach Perimeter Cleat to fascia with #10-12 x 1" Type A Pancake Fasteners at 1'-0" O.C.
2. Field cut seam of Medallion I panel and start at the building line as shown.
3. Apply a continuous run of 3/32" x 1" Roll Tape Sealant to the bottom flange of the Zee Closure and attach with #10-12 x 1" Type A Pancake Head Fasteners at 1'-0" O.C.
4. Apply a continuous run of 3/32" x 1" Roll Tape Sealant to the top flange of the Zee Closure.
5. Hook Rake Trim onto Perimeter Cleat and fasten to Zee Closure with 43D Pop Rivets at 1'-0" O.C.



*NOTE: SOME TRIM ITEMS AND FASTENERS HAVE BEEN REMOVED FOR CLARITY OF ISOMETRIC DETAIL.

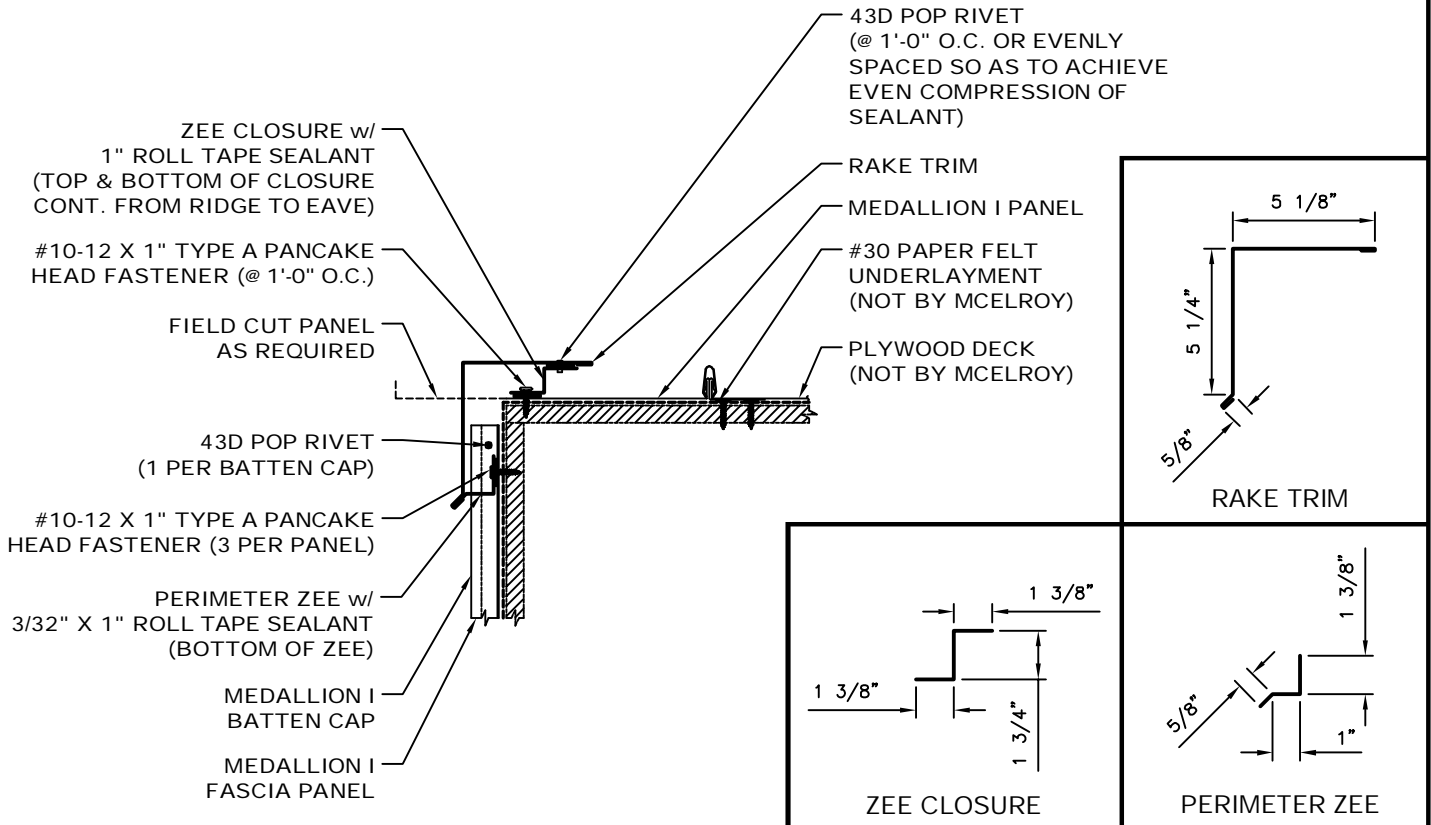


- NOTES: 1. After completing all the eave detail requirements and installing all the fascia panels install the Perimeter Zee as shown with #10-12 x " Type A Pancake Fasteners (3 per panel).
2. Start the Medallion I panel at the wood or steel-line as shown.
3. Apply a continuous run of 3/32" x 1" Roll Tape Sealant to the bottom flange of the Zee Closure and attach with #10-12 x 1" Type A Pancake Head Fasteners at 1'-0" O.C.
4. Apply a continuous run of 3/32" x 1" Roll Tape Sealant to the top flange of the Zee Closure.
5. Hook Rake Trim onto Perimeter Cleat and fasten to Zee Closure with 43D Pop Rivets at 1'-0" O.C.

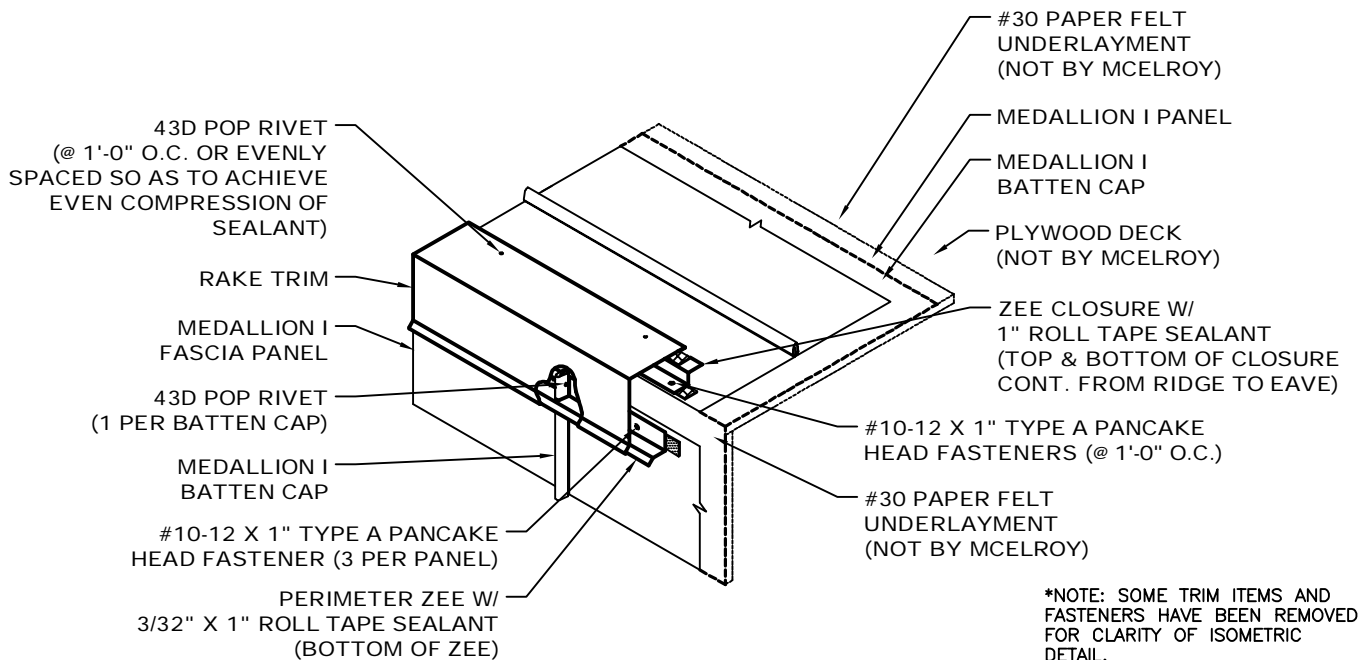


*NOTE: SOME TRIM ITEMS AND FASTENERS HAVE BEEN REMOVED FOR CLARITY OF ISOMETRIC DETAIL.

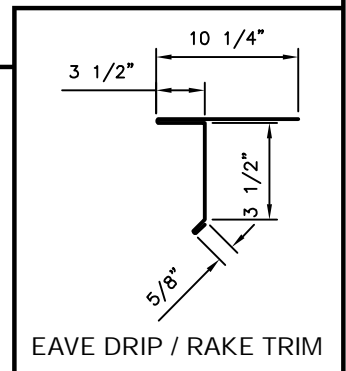
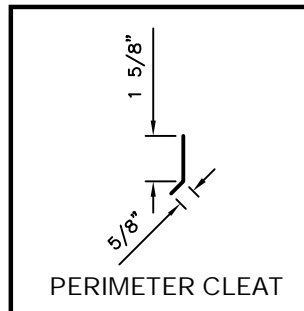
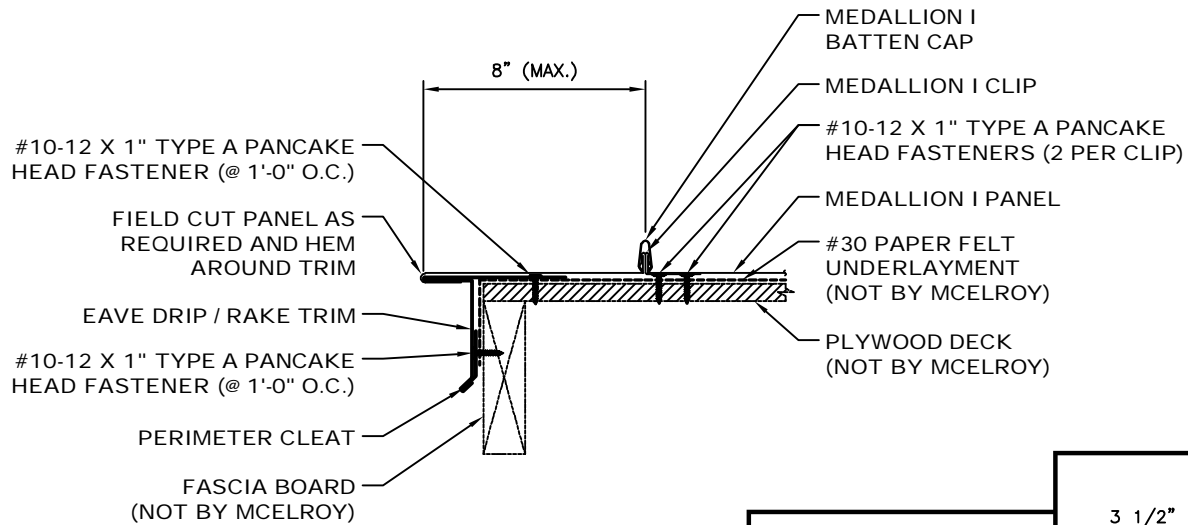
RAKE TO WALL PANEL (OFF MODULE) DETAIL



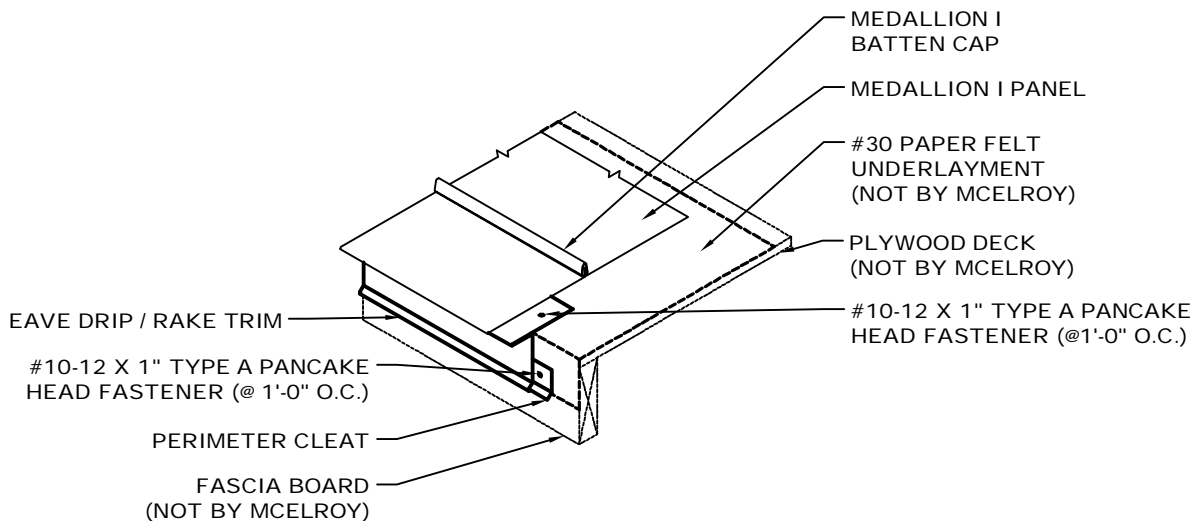
- NOTES:**
1. After completing all the eave detail requirements, install Perimeter Zee to fascia panels with #10-12 x 1" Type A Pancake Fasteners (3 per panel).
 2. Field cut seam of Medallion I panel and start at the building line as shown.
 3. Apply a continuous run of 3/32" x 1" Roll Tape Sealant to the bottom flange of the Zee Closure and attach with #10-12 x 1" Type A Pancake Head Fasteners at 1'-0" O.C.
 4. Apply a continuous run of 3/32" x 1" Roll Tape Sealant to the top flange of the Zee Closure.
 5. Hook Rake Trim onto Perimeter Zee and fasten to Zee Closure with 43D Pop Rivets at 1'-0" O.C.



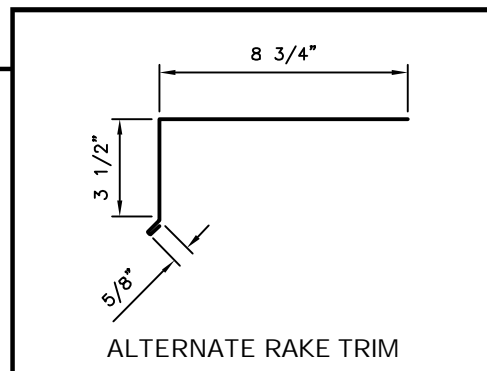
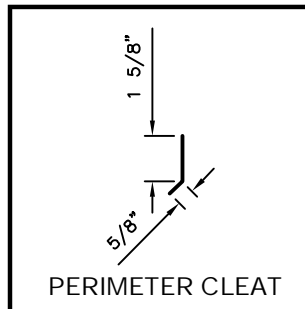
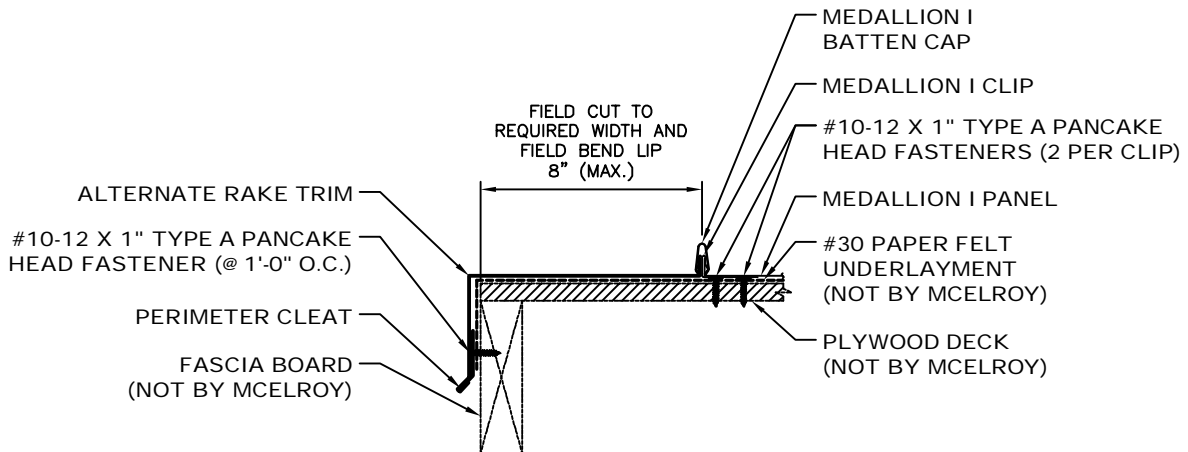
*NOTE: SOME TRIM ITEMS AND FASTENERS HAVE BEEN REMOVED FOR CLARITY OF ISOMETRIC DETAIL.



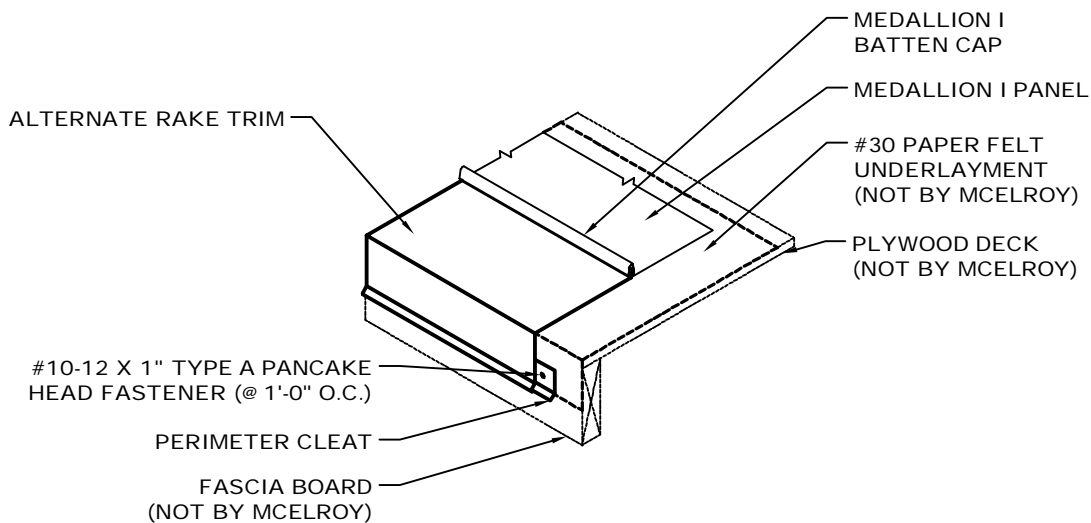
- NOTES: 1. After completing all the eave detail requirements, attach Perimeter Cleat to fascia with #10-12 x 1" Type A Pancake Fasteners at 1'-0" O.C.
2. Hook Eave Drip / Rake Trim onto Perimeter Cleat and fasten to plywood deck with #10-12 x 1" Type A Pancake Head Fasteners at 1'-0" O.C.
3. Field Cut the Medallion I panel as required leaving 1 1/2" of additional panel width. Fold the 1 1/2" of additional panel down so that it can be hemmed around the Eave Drip / Rake Trim.



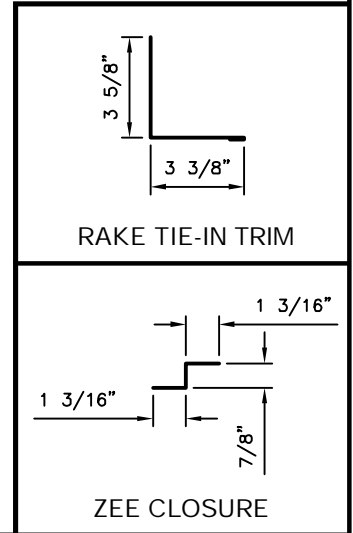
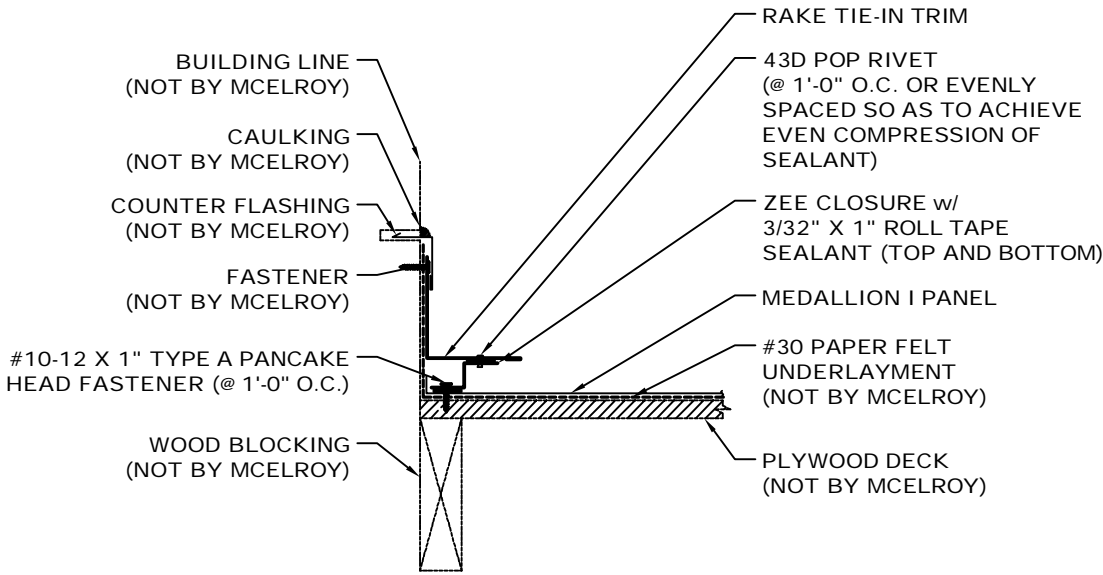
*NOTE: SOME TRIM ITEMS AND FASTENERS HAVE BEEN REMOVED FOR CLARITY OF ISOMETRIC DETAIL.



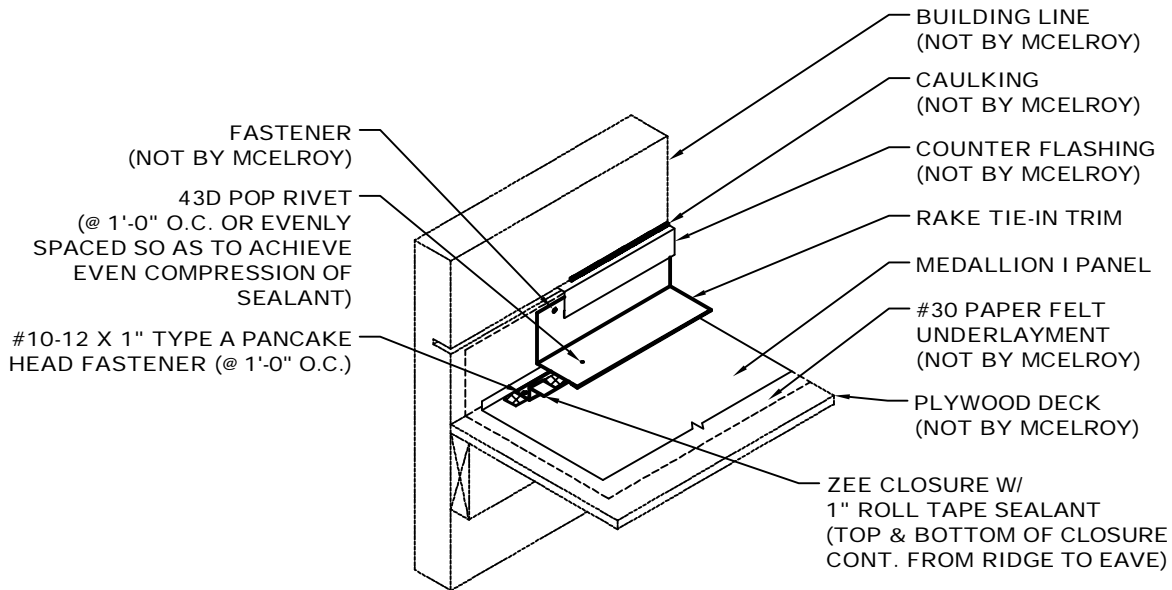
- NOTES: 1. After completing all the eave detail requirements, attach Perimeter Cleat to fascia with #10-12 x 1" Type A Pancake Fasteners at 1'-0" O.C.
 2. Field cut Alternate Rake Trim to required width (8" MAX.) and field bend a 3/4" vertical leg.
 3. Hook Alternate Rake Trim onto Perimeter Cleat and set in place. Once in place, install Medallion I Batten Cap.



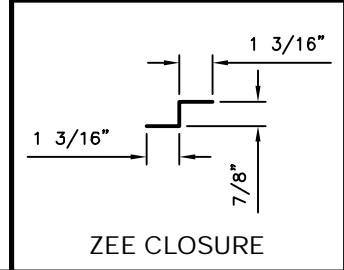
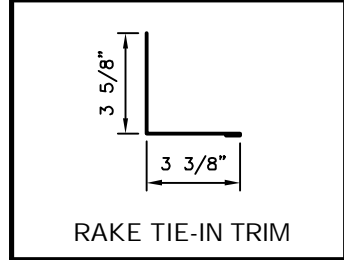
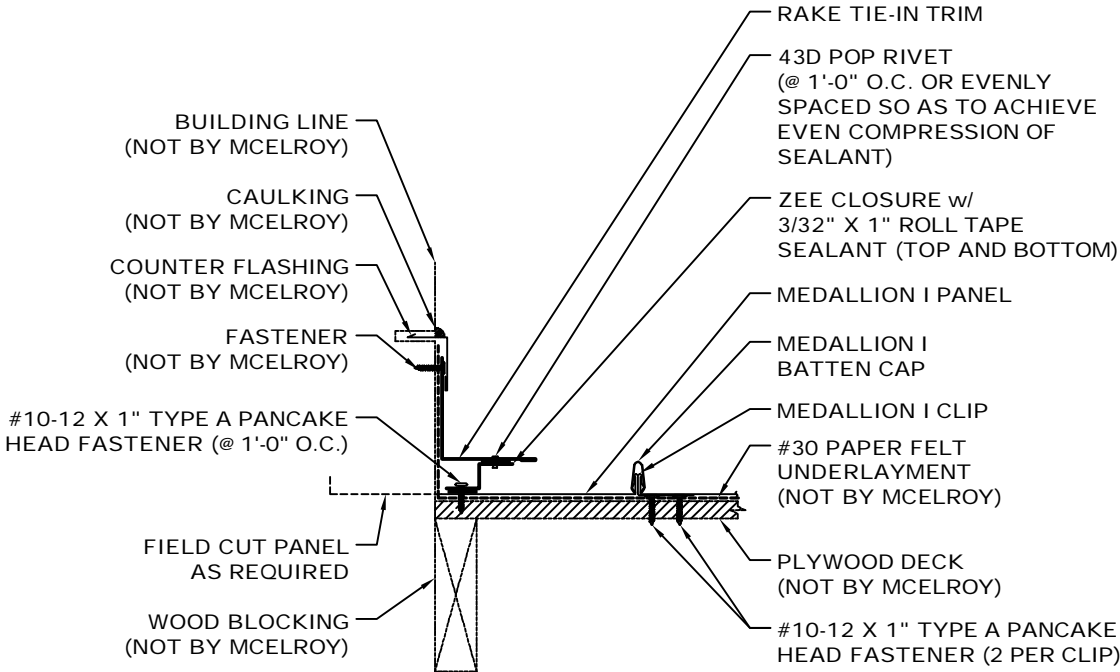
*NOTE: SOME TRIM ITEMS AND FASTENERS HAVE BEEN REMOVED FOR CLARITY OF ISOMETRIC DETAIL.



- NOTES: 1. After completing all the eave detail requirements, attach Perimeter Cleat to fascia with #10-12 x 1" Type A Pancake Fasteners at 1'-0" O.C.
 2. Start the Medallion I panel at the building-line as shown.
 3. Apply a continuous run of 3/32" x 1" Roll Tape Sealant to the bottom flange of the Zee Closure and attach with #10-12 x 1" Type A Pancake Head Fasteners at 1'-0" O.C.
 4. Apply a continuous run of 3/32" x 1" Roll Tape Sealant to the top flange of the Zee Closure.
 5. Attach Rake Tie-In Trim to Zee Closure with 43D Pop Rivets at 1'-0" O.C.

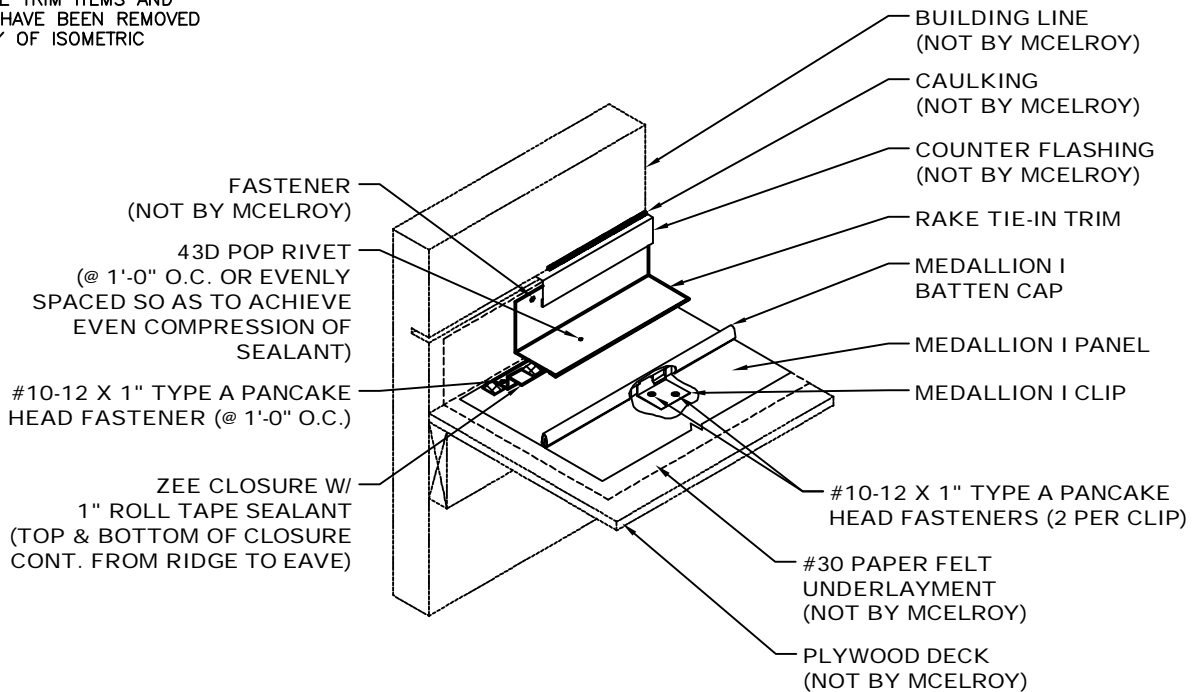


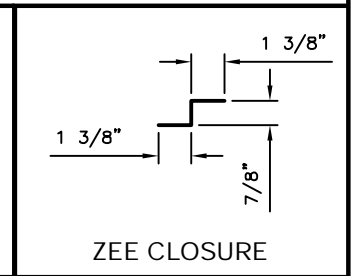
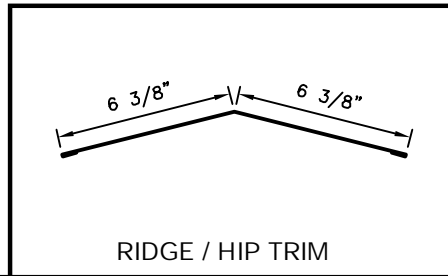
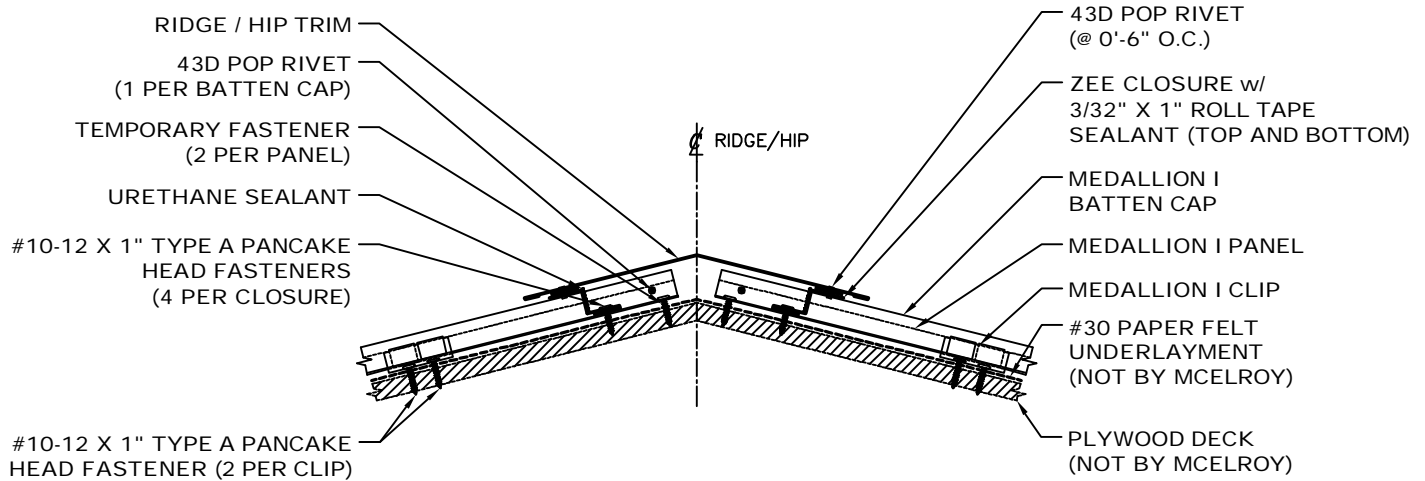
*NOTE: SOME TRIM ITEMS AND FASTENERS HAVE BEEN REMOVED FOR CLARITY OF ISOMETRIC DETAIL.



- NOTES:
1. After completing all the eave detail requirements, attach Perimeter Cleat to fascia with #10-12 x 1" Type A Pancake Fasteners at 1'-0" O.C.
 2. Field cut Medallion I panel as required and set in place as shown.
 3. Apply a continuous run of 3/32" x 1" Roll Tape Sealant to the bottom flange of the Zee Closure and attach with #10-12 x 1" Type A Pancake Head Fasteners at 1'-0" O.C.
 4. Apply a continuous run of 3/32" x 1" Roll Tape Sealant to the top flange of the Zee Closure.
 5. Attach Rake Tie-In Trim to Zee Closure with 43D Pop Rivets at 1'-0" O.C.

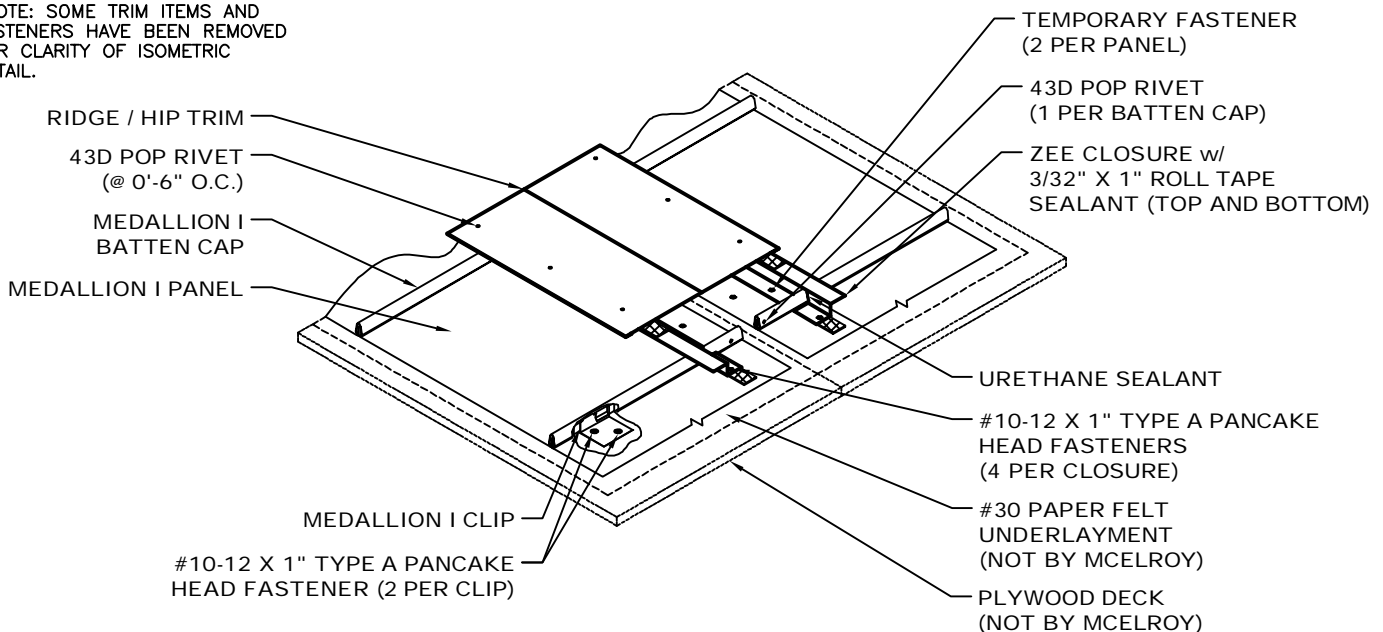
*NOTE: SOME TRIM ITEMS AND FASTENERS HAVE BEEN REMOVED FOR CLARITY OF ISOMETRIC DETAIL.

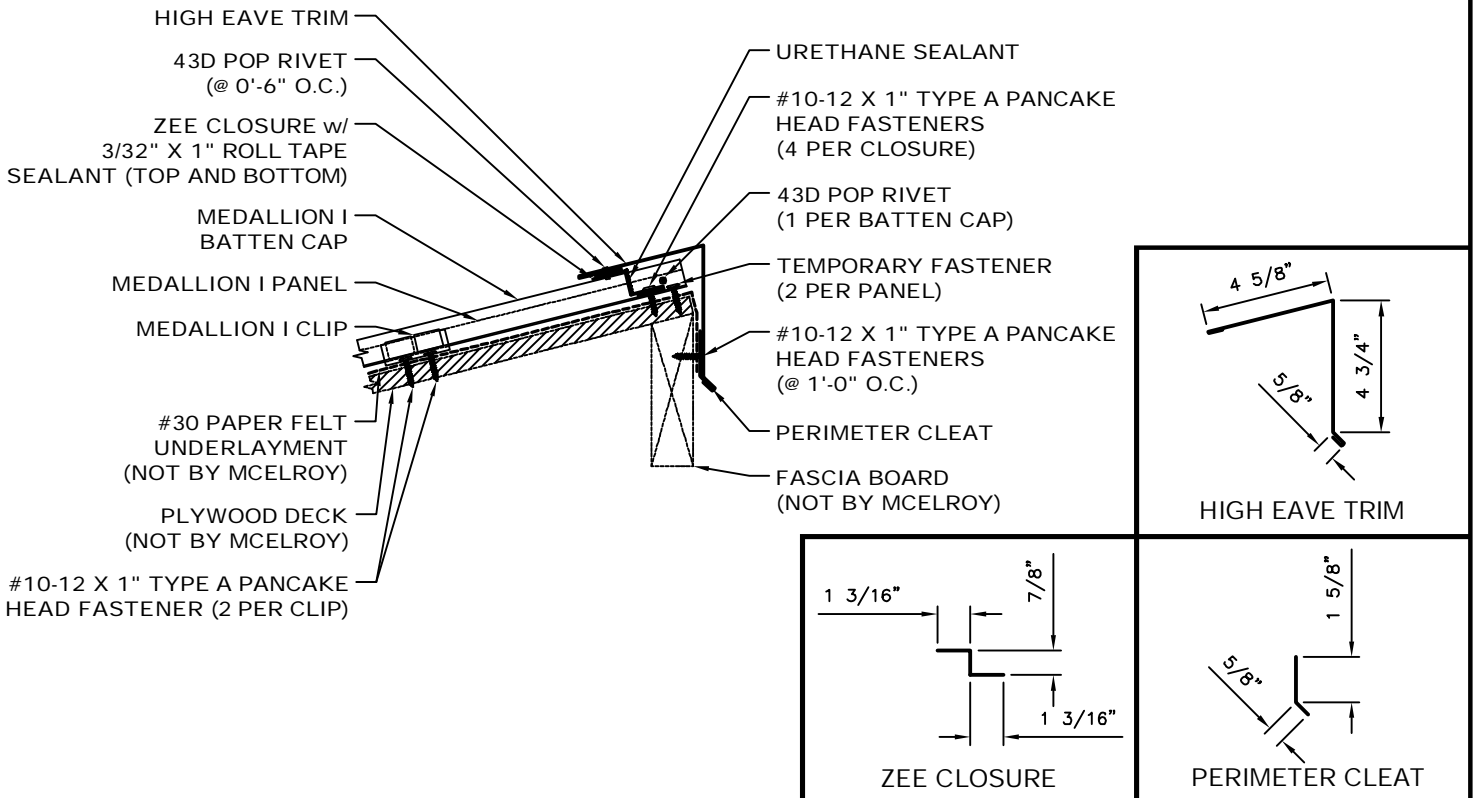




- NOTES:
1. Install Medallion I panels with clips approximately 1'-0" downhill on each side of the ridge / hip. Attach clips with two (2) #10-12 x 1" Type A Pancake Head Fasteners.
 2. Install Batten Caps to edge of panel and secure with one (1) 43D Pop Rivet as shown.
 3. Apply a continuous run of 3/32" x 1" Roll Tape Sealant between the panel legs about 2" down from the end of the panel.
 4. Field cut and attach Zee Closure using #10-12 x 1" Type A Pancake Head Fasteners at 0'-4" O.C. through closure flange, sealant, panel and into substrate.
 5. Apply Urethane Tube Sealant to Zee Closure and panel ribs.
 6. Apply a continuous run of 3/32" x 1" Roll Tape Sealant to the top of Zee Closure.
 7. Trim pieces lap 2". Apply 3/32" x 3/8" Butyl Tape or Butyl Tube Sealant in trim laps and Pop Rivet trims as shown on page C-23.
 8. Attach Ridge / Hip Trim to Zee Closure with 43D Pop Rivets at 0'-6" O.C.

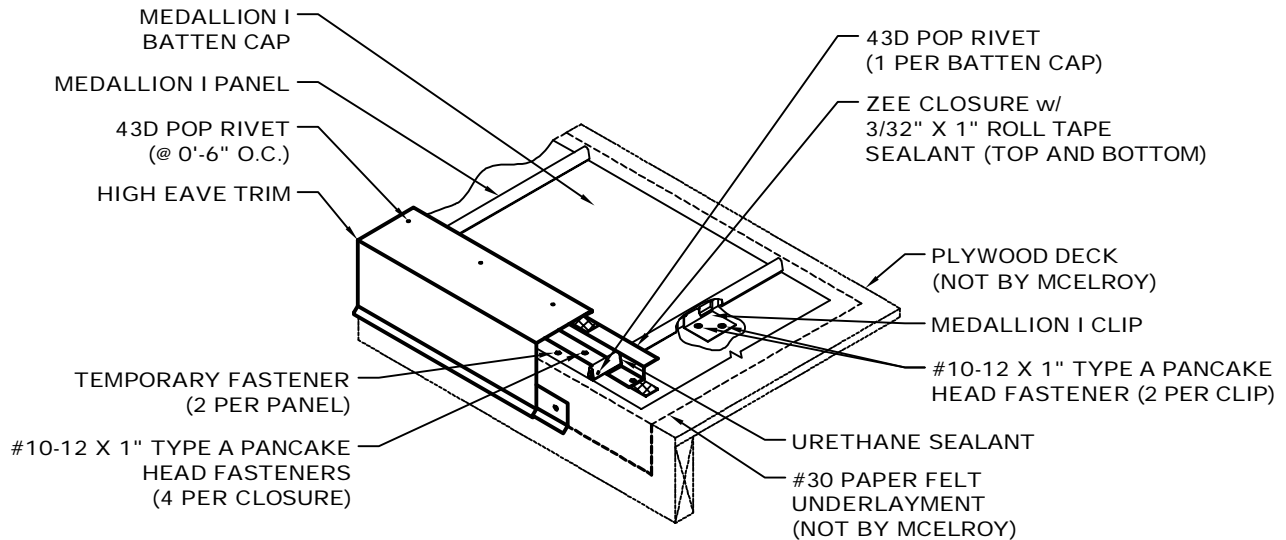
*NOTE: SOME TRIM ITEMS AND FASTENERS HAVE BEEN REMOVED FOR CLARITY OF ISOMETRIC DETAIL.

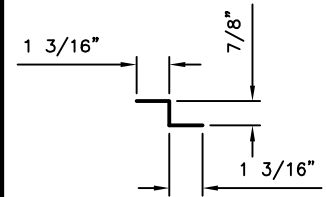
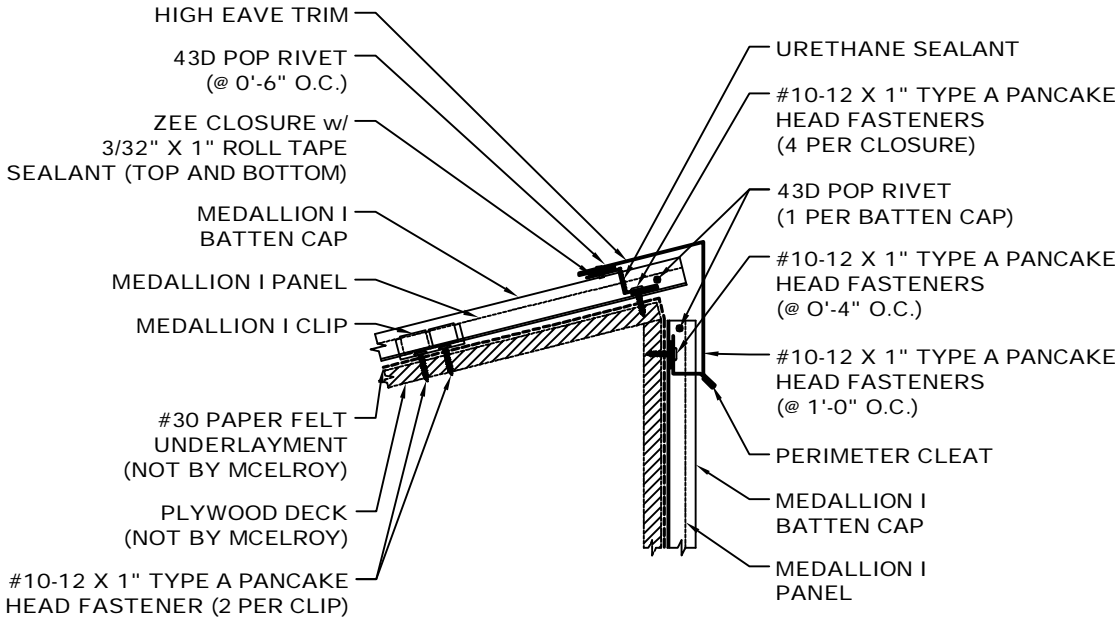




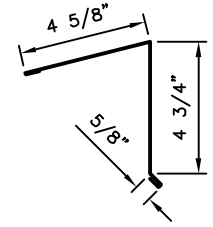
- NOTES:**
1. Install Medallion I panels with clips approximately 1'-0" downhill. Attach clips with two (2) #10-12 x 1" Type A Pancake Head Fasteners.
 2. Install Batten Caps to edge of panel and secure with one (1) 43D Pop Rivet as shown.
 3. Apply a continuous run of 3/32" x 1" Roll Tape Sealant between the panel legs about 2" down from the end of the panel.
 4. Field cut and attach Zee Closure using #10-12 x 1" Type A Pancake Head Fasteners at 0'-4" O.C. through closure flange, sealant, panel and into substrate.
 5. Apply Urethane Tube Sealant to Zee Closure and Batten Cap.
 6. Apply a continuous run of 3/32" x 1" Roll Tape Sealant to the top of Zee Closure.
 7. Trim pieces lap 2". Apply 3/32" x 3/8" Butyl Tape or Butyl Tube Sealant in trim laps and Pop Rivet trims as shown on page C-22.
 8. Attach Ridge / Hip Trim to Zee Closure with 43D Pop Rivets at 0'-6" O.C.

*NOTE: SOME TRIM ITEMS AND FASTENERS HAVE BEEN REMOVED FOR CLARITY OF ISOMETRIC DETAIL.

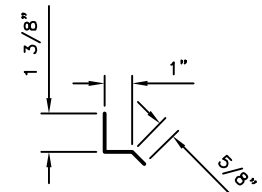




ZEE CLOSURE

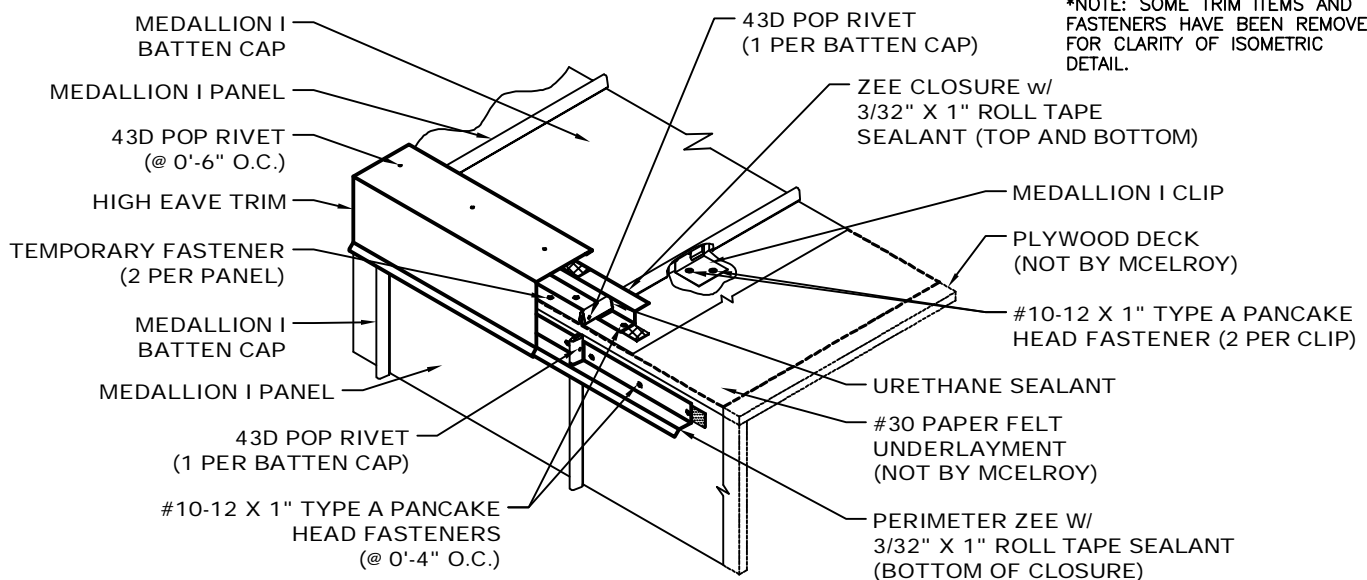


HIGH EAVE TRIM

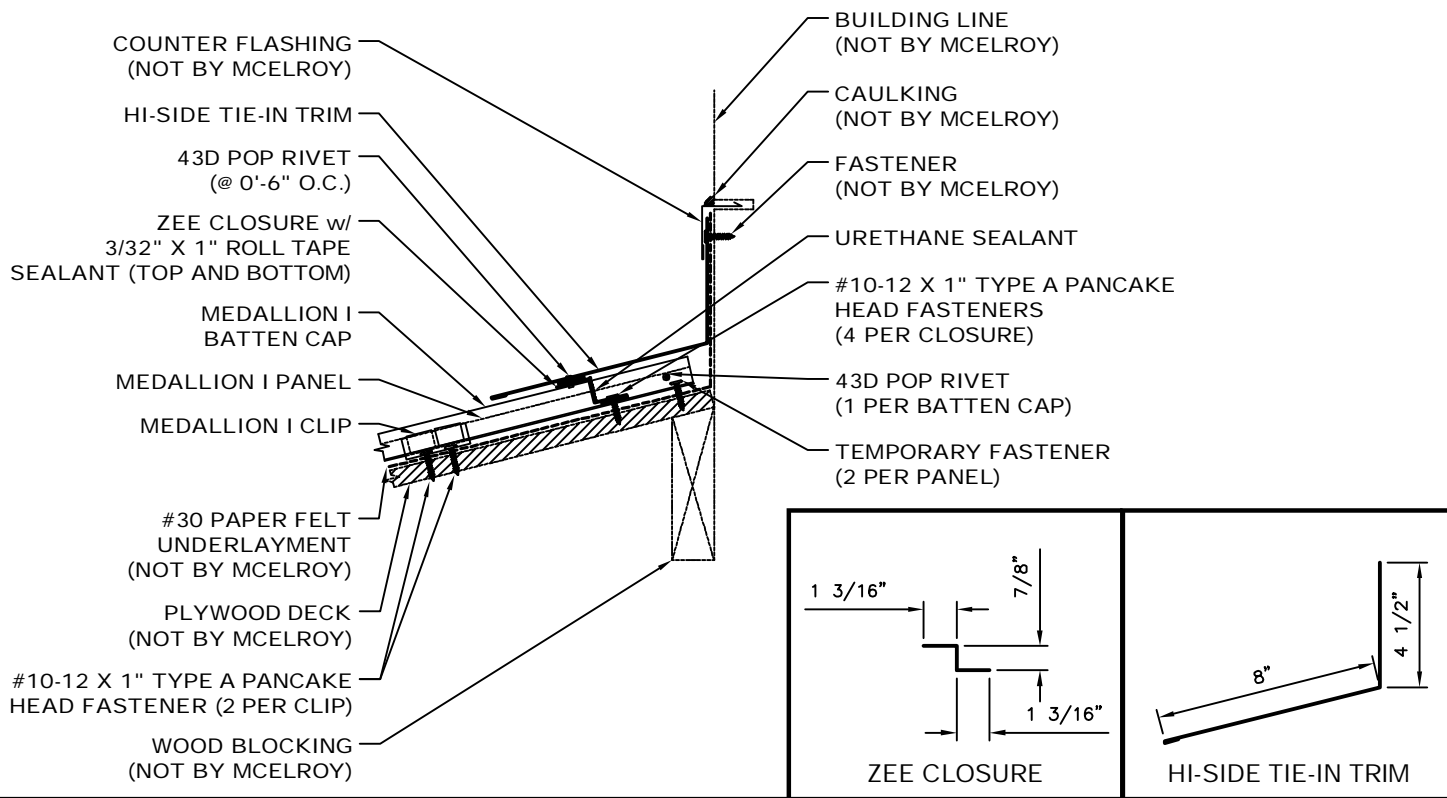


PERIMETER ZEE

- NOTES: 1. Install Medallion I panels with clips approximately 1'-0" downhill. Attach clips with two (2) #10-12 x 1" Type A Pancake Head Fasteners.
2. Install Batten Caps to edge of panel and secure with one (1) 43D Pop Rivet as shown.
3. Apply a continuous run of 3/32" x 1" Roll Tape Sealant between the panel legs about 2" down from the end of the panel.
4. Field cut and attach Zee Closure using #10-12 x 1" Type A Pancake Head Fasteners at 0'-4" O.C. through closure flange, sealant, panel and into substrate.
5. Apply Urethane Tube Sealant to Zee Closure and Batten Cap.
6. Field cut and attach Perimeter Zee using #10-12 x 1" Type A Pancake Head Fasteners at 0'-4" O.C. through closure flange, sealant, panel and into substrate.
7. Trim pieces lap 2". Apply 3/32" x 3/8" Butyl Tape or Butyl Tube Sealant in trim laps and Pop Rivet trims as shown on page C-22.
8. Hook High Eave Trim onto Perimeter Zee and attach to Zee Closure with 43D Pop Rivets at 0'-6" O.C.

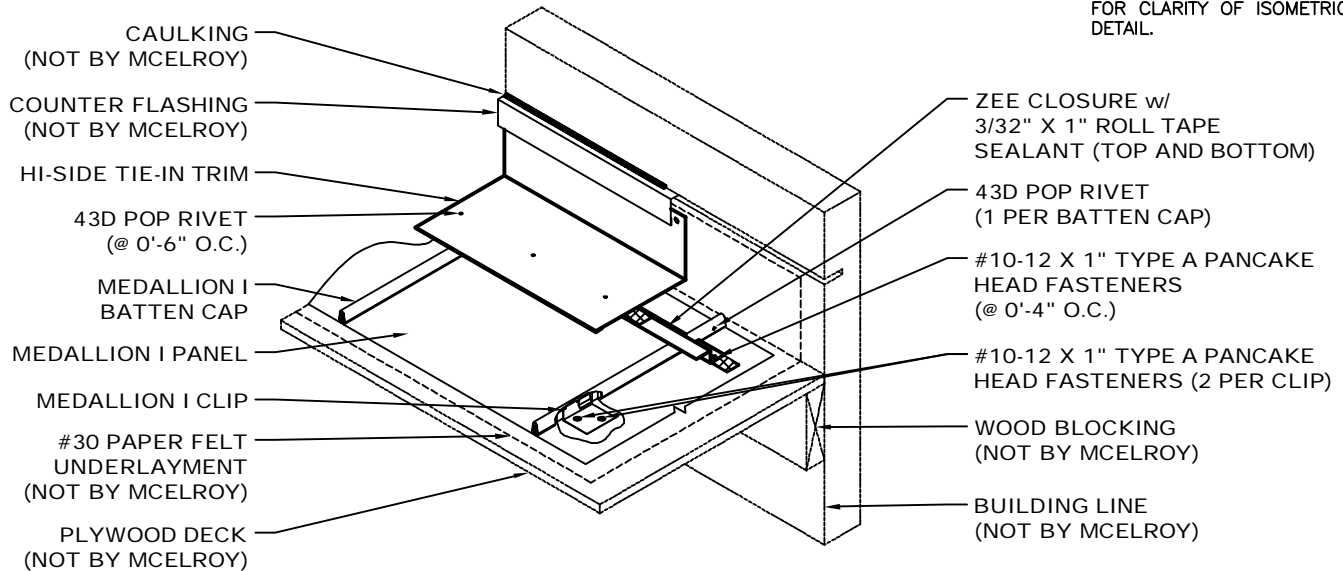


*NOTE: SOME TRIM ITEMS AND FASTENERS HAVE BEEN REMOVED FOR CLARITY OF ISOMETRIC DETAIL.



- NOTES:**
1. Install Medallion I panels with clips approximately 1'-0" downhill. Attach clips with two (2) #10-12 x 1" Type A Pancake Head Fasteners.
 2. Install Batten Caps to edge of panel and secure with one (1) 43D Pop Rivet as shown.
 3. Apply a continuous run of 3/32" x 1" Roll Tape Sealant between the panel legs about 2" down from the end of the panel.
 4. Field cut and attach Zee Closure using #10-12 x 1" Type A Pancake Head Fasteners at 0'-4" O.C. through closure flange, sealant, panel and into substrate.
 5. Apply Urethane Tube Sealant to Zee Closure and Batten Cap.
 6. Trim pieces lap 2". Apply 3/32" x 3/8" Butyl Tape or Butyl Tube Sealant in trim laps and Pop Rivet trims as shown on page C-22.
 7. Attach Hi-Side Tie-In Trim to Zee Closure and attach with 43D Pop Rivets at 0'-6" O.C.

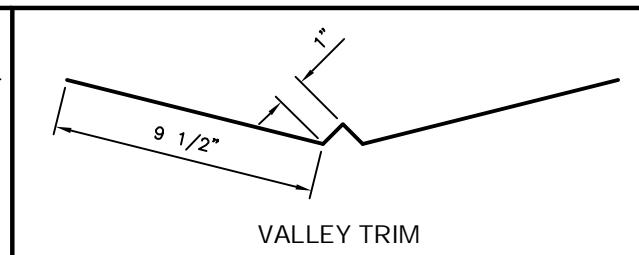
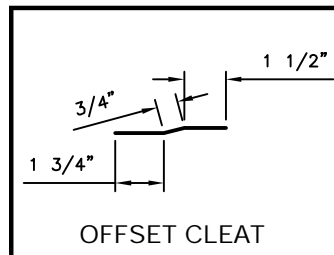
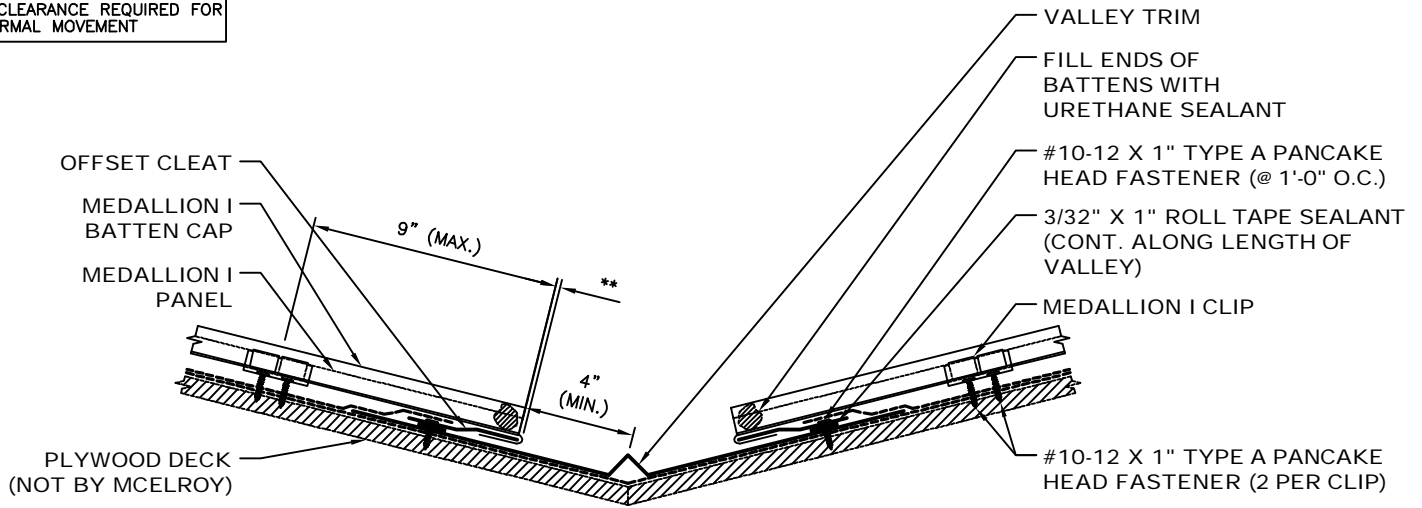
*NOTE: SOME TRIM ITEMS AND FASTENERS HAVE BEEN REMOVED FOR CLARITY OF ISOMETRIC DETAIL.



MEDALLION I

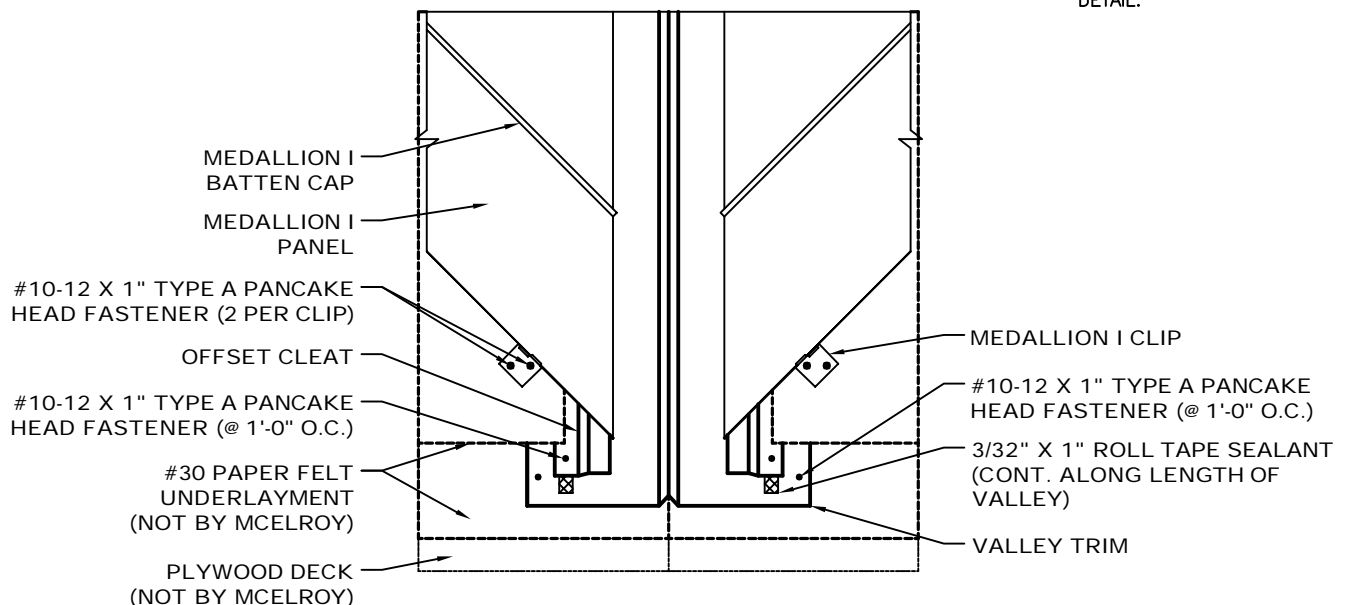
VALLEY DETAIL

** CLEARANCE REQUIRED FOR THERMAL MOVEMENT

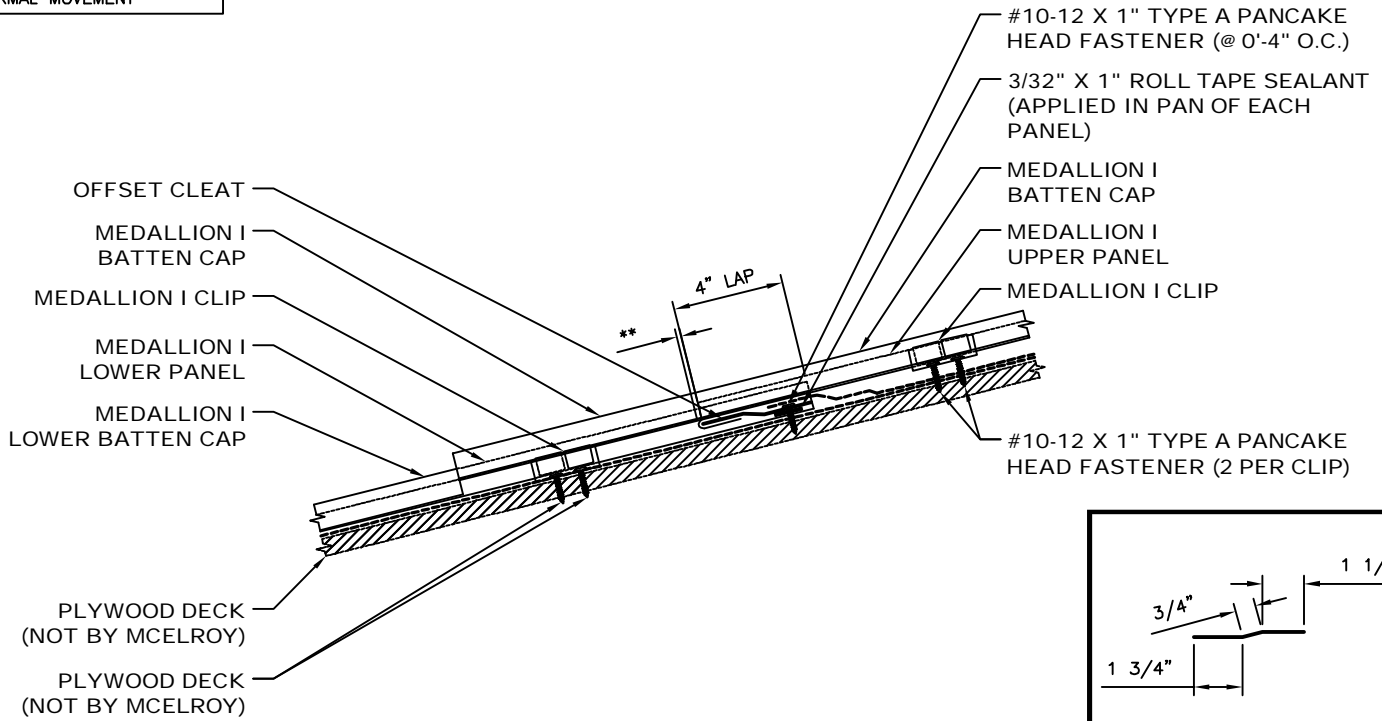


- NOTES: 1. Trim pieces lap 2". Apply 3/32" x 1" Butyl Tape Sealant in trim laps as shown on page C-23.
 2. Attach Valley Trim to decking with #10-12 x 1" Type A Pancake Head Fasteners at 5'-0" O.C.
 3. Apply a continuous run of 3/32" x 1" Roll Tape Sealant on top of Valley Trim. Make sure to tie into tag ends of the trim lap sealant. These are shown on page C-23.
 4. Install Offset Cleat as shown and attach with #10-12 x 1" Type A Pancake Head Fasteners at 1'-0" O.C.
 5. Field cut legs of Medallion I Panels 1 1/2" from end of panel like you did at the Eaves. Using a hemming tool to form an open hem with pan of panel.
 6. Install Medallion I panels by hooking open hem onto Offset Cleat. Attach clips with two (2) #10-12 x 1" Type A Pancake Head Fasteners.

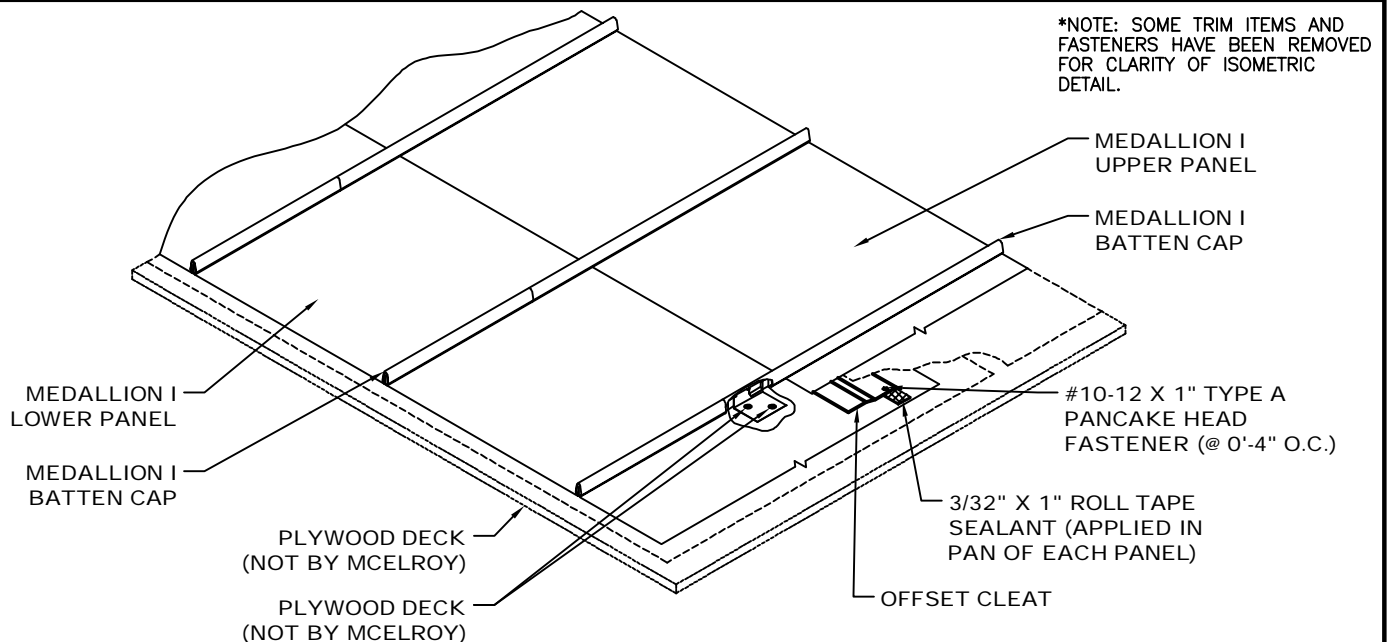
*NOTE: SOME TRIM ITEMS AND FASTENERS HAVE BEEN REMOVED FOR CLARITY OF ISOMETRIC DETAIL.

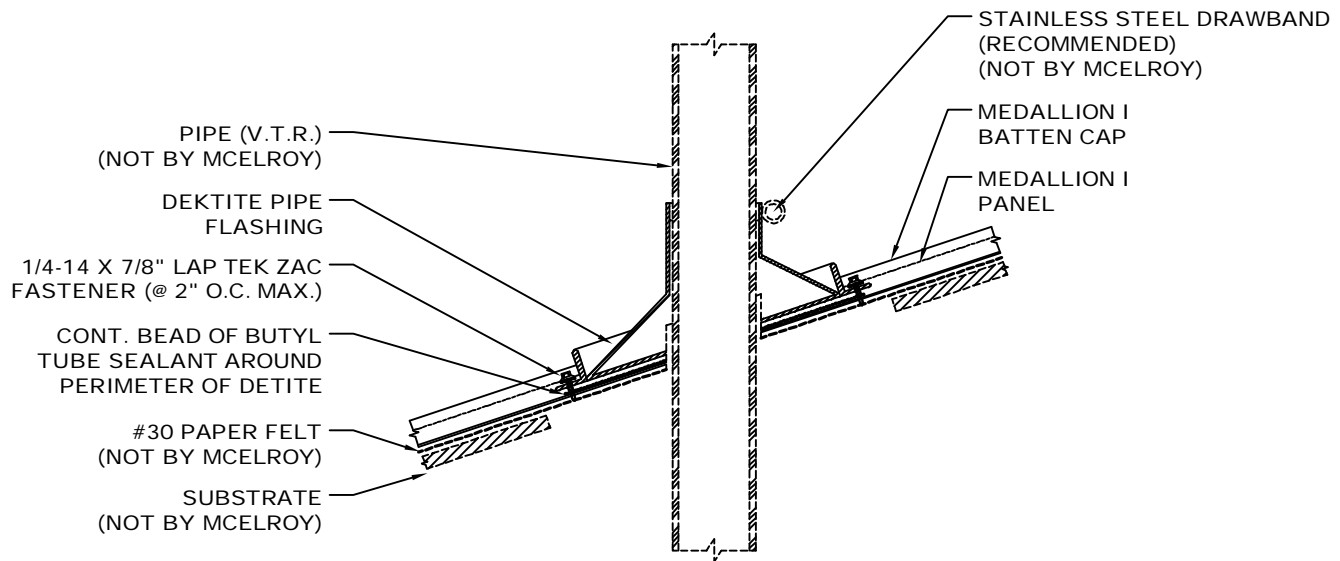


**** CLEARANCE REQUIRED FOR THERMAL MOVEMENT**

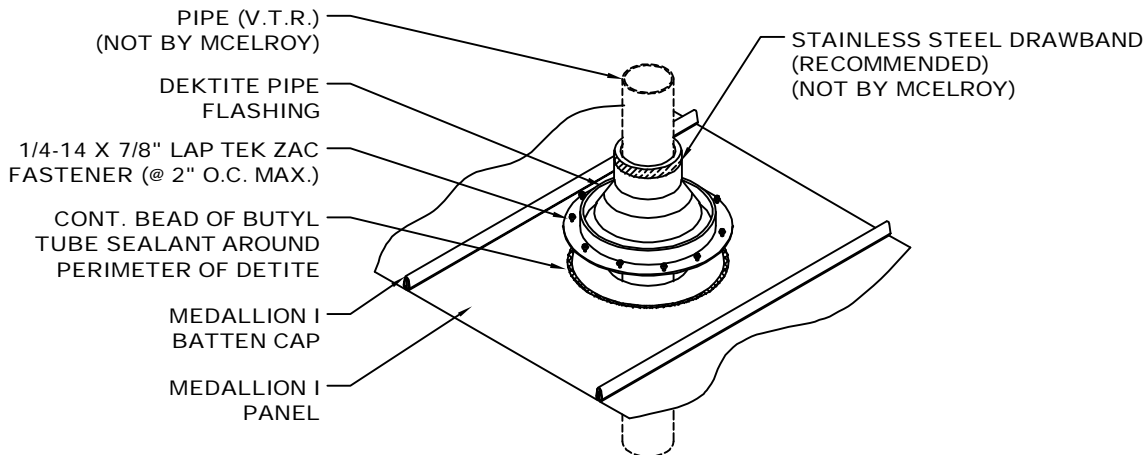


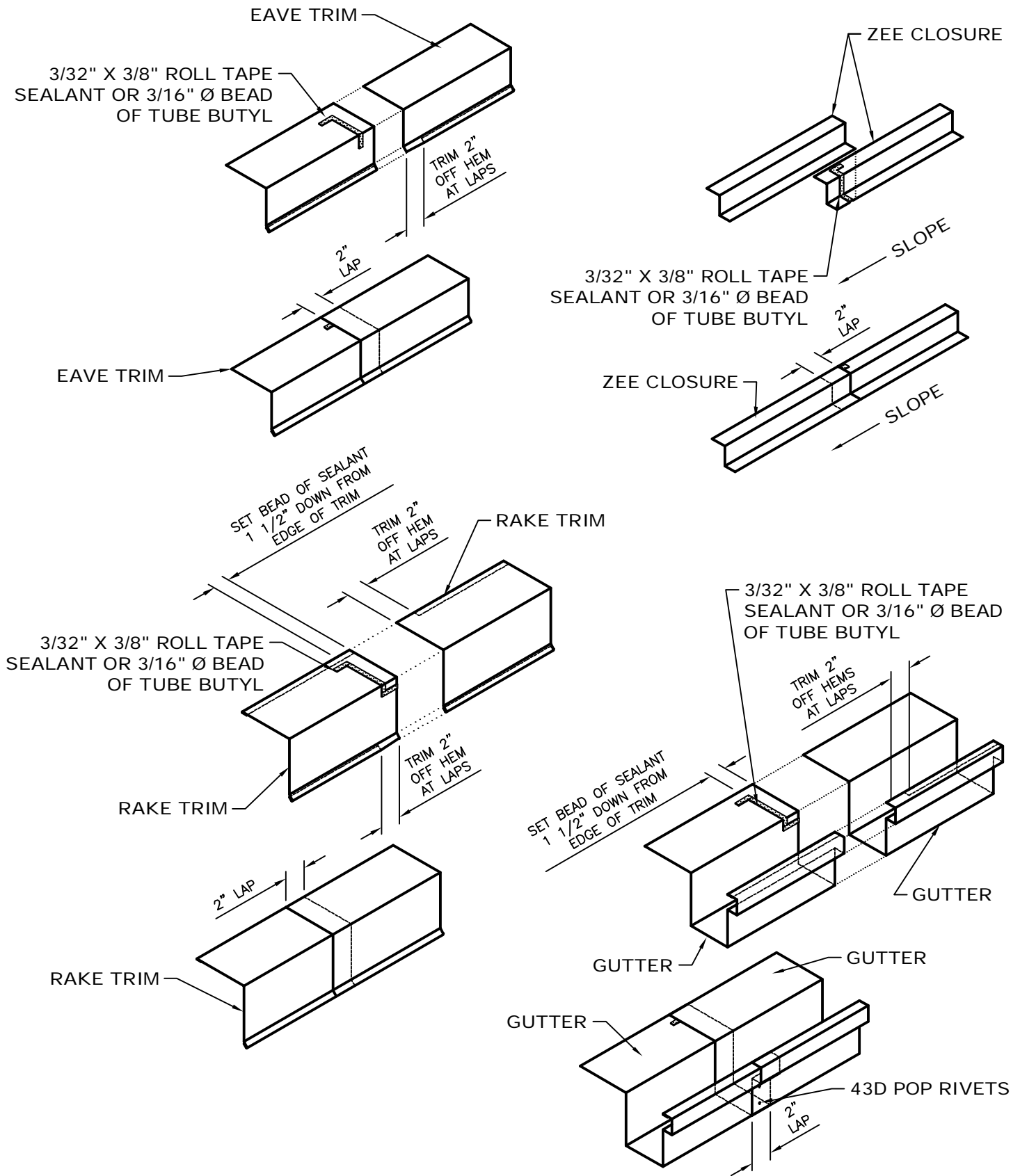
- NOTES:**
1. Attach lower Medallion I roof panel with a clip approximately 8" from the end of the panel.
 2. Apply a continuous bead of 1" Roll Tape Sealant along length of End Lap condition. Tape needs to be in pan of panels as well as up and over panel legs.
 3. Locate Offset Cleat approximately 4" from the edge of the lower Medallion I panel. Field cut to fit between panel legs.
 4. Attach Offset Cleat with #10-12 x 1" Type A Pancake Head Fasteners @ 4" O.C. making sure to fasten through the Offset Cleat, lower panel, sealant and into the decking.
 5. Field notch legs of Medallion I Panels 1 1/2" from end of upper panel like you did at the Eaves. Using a hemming tool to form an open hem with pan of panel.
 6. Install Medallion I panels by hooking open hem onto Offset Cleat. Attach clips with two (2) #10-12 x 1" Type A Pancake Head Fasteners.
 7. A Batten Cap lap should not occur at a panel lap.



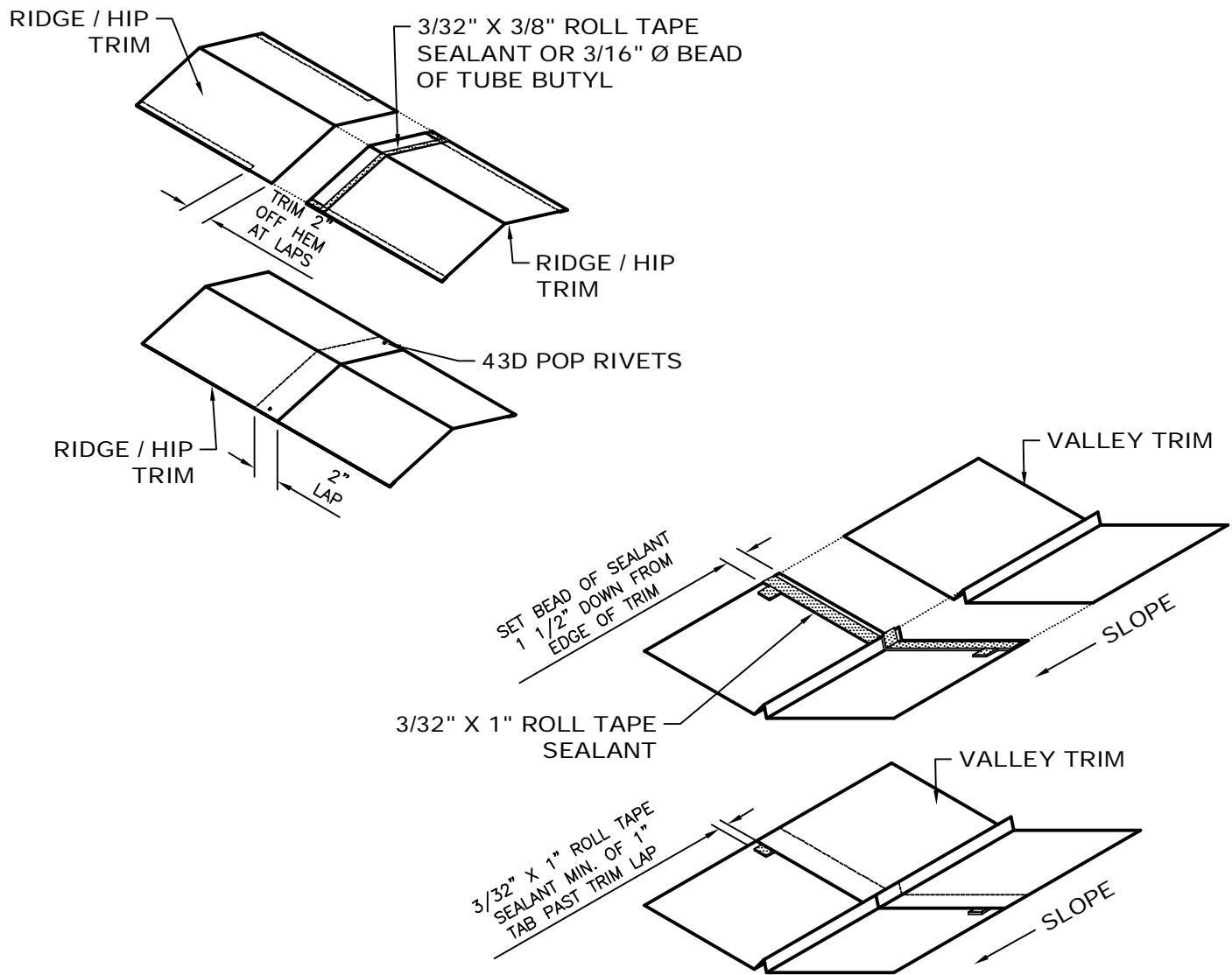


- NOTES: 1. Cut hole in panel 1" larger than pipe diameter. Over-cut hole in decking larger than the base diameter of the Dektite Pipe Flashing so fastener do not pin system from thermal movement.
2. Cut hole in top of Dektite Pipe Flashing so that it fits snugly around pipe. Apply a 3/16" Ø bead of Tube Butyl sealant around the base flange of Dektite. Secure to panel with 1/4-14 x 7/8" Lap Tek ZAC fasteners 2" O.C.
3. Dektite Pipe Flashing MUST fit in pan of panel. Do not fasten to standing seams.

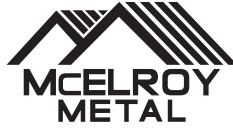




NOTE: 1. Apply specified Roll Tape Sealant or a 3/16" Ø bead of Tube Butyl 1 1/2" back from the edge of the trim. Also, apply a piece of tape sealant or bead of Tube Butyl as a Pigtail to completely seal joint.
 2. Notch the hems on the upper trim piece 2" so that the trim will fit flat in the lap joint.
 3. Secure trim laps with Pop Rivets as shown above.



NOTE: 1. Apply specified Roll Tape Sealant or a 3/16" Ø bead of Tube Butyl 1 1/2" back from the edge of the trim. Also, apply a piece of tape sealant or bead of Tube Butyl as a Pigtail to completely seal joint.
 2. Notch the hems on the upper trim piece 2" so that the trim will fit flat in the lap joint.
 3. Secure trim laps with Pop Rivets as shown above.



☆ MANUFACTURING LOCATIONS ● SERVICE CENTERS ★ MANUFACTURING AND SERVICE CENTER



CORPORATE OFFICE
1500 HAMILTON RD.
BOSSIER CITY, LA 71111

MANUFACTURING LOCATIONS

ADELANTO, CA	ASHBURN, GA	BOSSIER CITY, LA	CLINTON, IL	DIAMOND, MO
HOUSTON, TX	LEWISPORT, KY	MARSHALL, MI	MAUSTON, WI	MERKEL, TX
	PEACHTREE CITY, GA	SUNNYVALE, TX		WINCHESTER, VA

MCELROY METAL
SERVICE
C E N T E R

5215 Leo St. Alexandria, LA 71301	17031 Koala Road Adelanto, CA 92301	1007 Wilso Dr, Baltimore, MD 21223	1500 Hamilton Rd. Bossier City, LA 71111
3052 Yadkin Road Chesapeake, VA 23323	9476 Meadowbrook Rd. Clinton, IL 61727	3215 Highway 59 Diamond, MO 64840	390 N. Valley Dell Dr. Fenton, MO 63026
409 Lovejoy Road Ft. Walton Beach, FL 32548	3014 Lincoln Court Garland, TX 75041	1440 Aldine Bender Road Houston, TX 77032	10504 E. 59th Street Indianapolis, IN 46236
9435 US Hwy. 60 W. Lewisport, KY 42351	1020 Veterans Street Mauston, WI 53948	5123 Terminal Dr. McFarland, WI 53558	514 Cave Road Nashville, TN 37210
8304 Hwy. 70 E. North Little Rock, AR 72117	613 North Bierdeman Rd. Pearl, MS 39208	7450 Tower Street Richland Hills, TX 76118	5300 83rd Street Sacramento, CA 95826
1365 Dean Forest Rd. Savannah, GA 31405	7355 Oakley Industrial Blvd. Union City, GA 30291	1144 Silstar Rd. West Columbia, SC 29170	325 McGhee Rd. Winchester, VA 22603

Website: www.mcelroymetal.com • E-mail: info@mcelroymetal.com

MEDALLION II

INSTALLATION

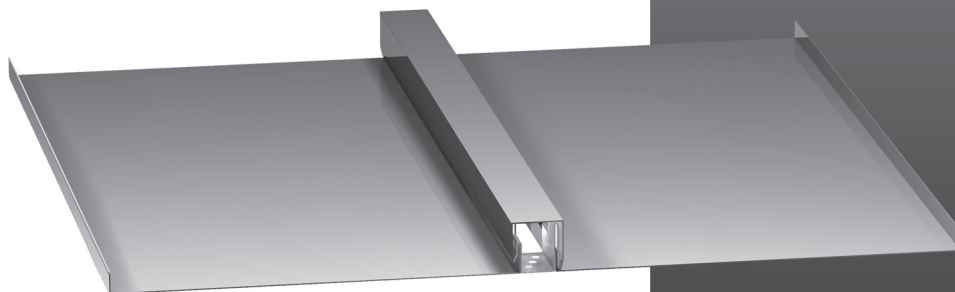


TABLE OF CONTENTS

PAGE NUMBER:	DETAIL DESCRIPTION
A-1.....	TABLE OF CONTENTS
A-2.....	GENERAL NOTES
B-1.....	BATTEN CAP INSTALLATION
B-2.....	EAVE NOTCHING and FOLDING
C-1.....	EAVE w/ OFFSET CLEAT DETAIL
C-2.....	EAVE w/ DRIP TRIM DETAIL
C-3.....	EAVE w/ GUTTER DETAIL
C-4.....	EAVE w/ FASCIA PANEL DETAIL
C-5.....	EAVE DRIP w/ FASCIA PANEL DETAIL
C-6.....	EAVE TO WALL PANEL TRANSITION DETAIL
C-7.....	RAKE DETAIL
C-8.....	RAKE DETAIL (OFF MODULE)
C-9.....	RAKE TO WALL PANEL DETAIL
C-10.....	RAKE TO WALL PANEL DETAIL (OFF MODULE)
C-11.....	RAKE FOLD DETAIL
C-12.....	RAKE DETAIL (ALTERNATE)
C-13.....	RAKE TIE-IN DETAIL
C-14.....	RAKE TIE-IN DETAIL (OFF MODULE)
C-15.....	RIDGE / HIP DETAIL
C-16.....	HIGH EAVE DETAIL
C-17.....	HIGH EAVE TO WALL PANEL DETAIL
C-18.....	HI-SIDE TIE-IN DETAIL
C-19.....	VALLEY DETAIL
C-20.....	PANEL END LAP DETAIL
C-21.....	DEKTITE (PIPE PENETRATION) DETAIL
C-22 & C-23.....	TYPICAL TRIM LAP DETAILS

GENERAL NOTES

The details shown on the following pages are suggestions or guidelines for installing the Medallion II roof panel system over plywood. The installation details shown here are proven methods of construction, but they are not intended to cover all building requirements, designs or codes. The details may require changes or revisions due to individual project conditions.

Installation procedures shall be in accordance with the manufacturer's printed instructions, details or approved shop drawings. Installers should thoroughly familiarized themselves with all instructions prior to beginning the installation process.

The designer/installer is responsible to ensure the following:

That the details here meet the particular building requirements.

Awareness of and allowance for expansion/contraction of the roof panels.

That adequate water-tightness is maintained.

That a proper uniform substructure is used to avoid panel distortion and that the substructure meets necessary code requirements.

That all supporting members have been examined and are straight, level and plumb.

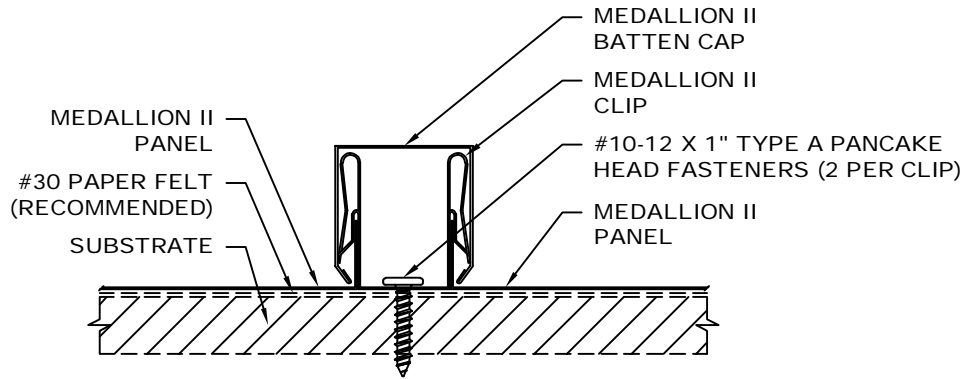
McElroy Metal can provide all flashings and accessories shown in the installation drawings unless noted otherwise. Panels, flashing and trim shall be installed true and in proper alignment with any exposed fasteners equally spaced for the best appearance. Sealant shall be field applied on a clean, dry surface.

Some field cutting and fitting of panels and flashings is to be expected and to be considered a part of normal installation work. Workmanship shall be of the best industry standards and with installation performed by experienced metal craftsmen.

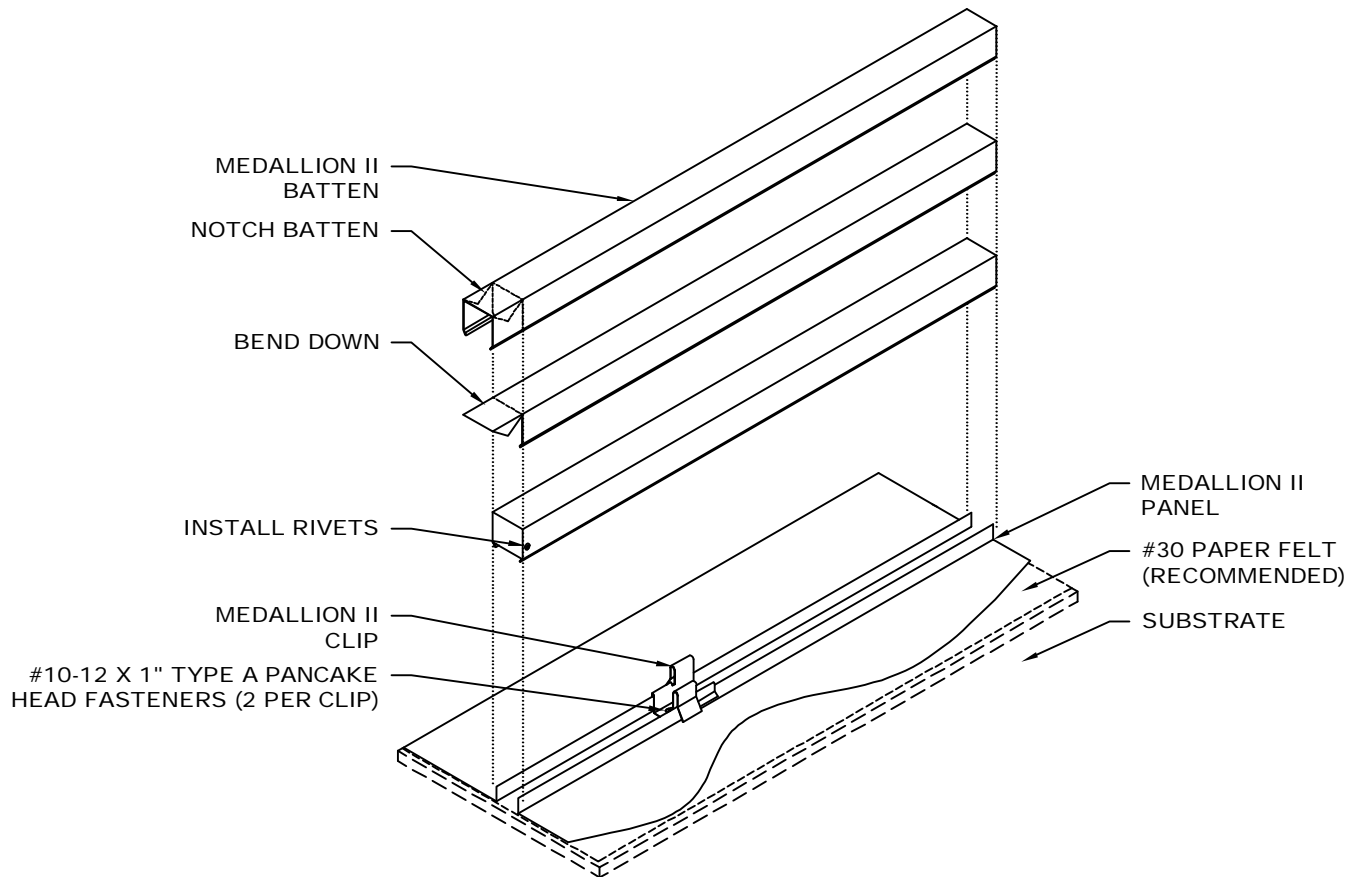
Oil canning of metal panels is in the product and is not a cause for rejection. Striated panels are recommended as the reduce the appearance of oil canning.

Contents of this manual are subject to change without notice. To confirm this book is the most current copy, please visit McElroy Metal's website at www.mcelroymetal.com.

BATTEN CAP INSTALLATION



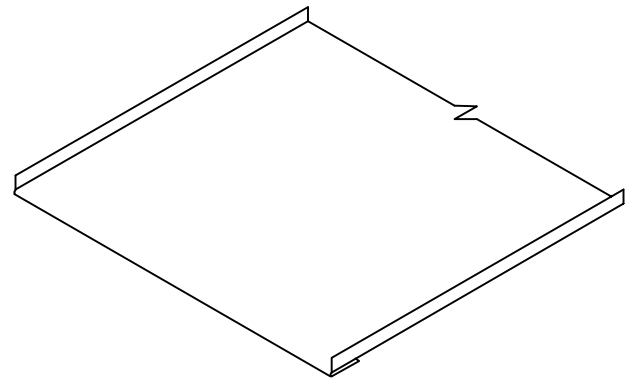
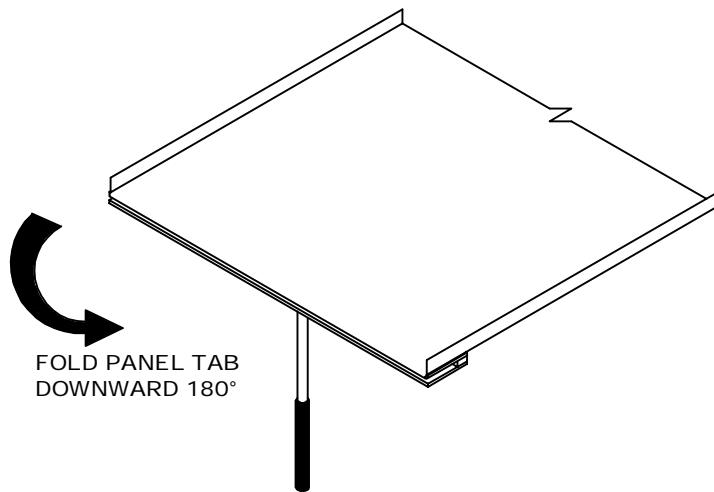
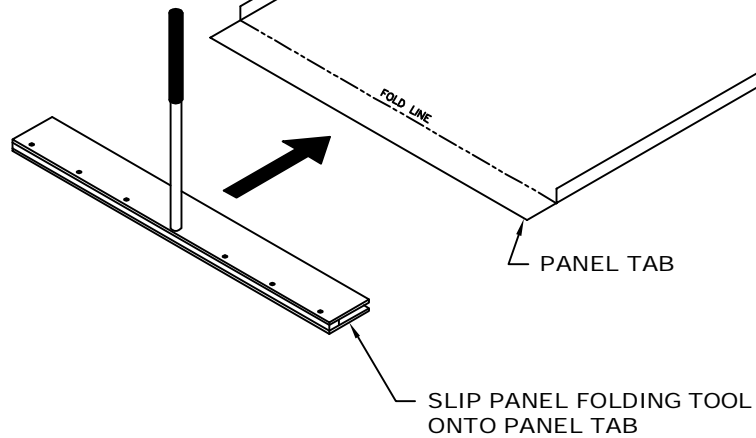
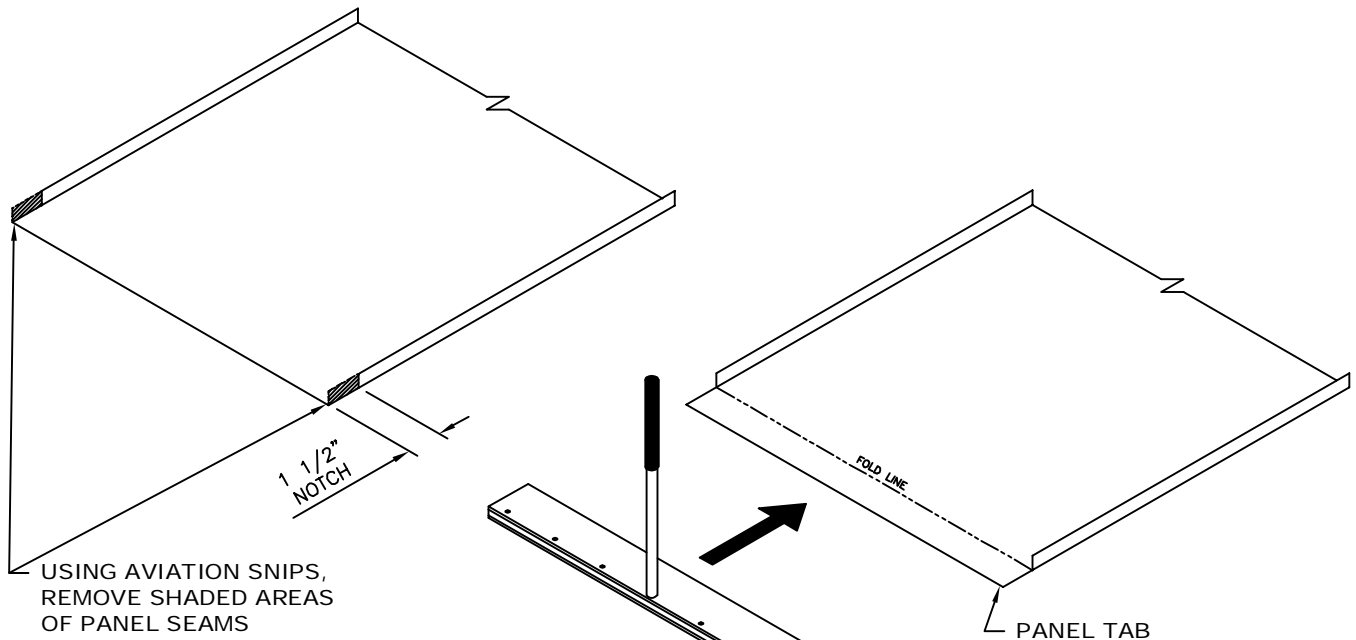
INSTALLED PANEL CROSS SECTION



BATTEN END DETAIL

PANEL EAVE NOTCHING/FOLDING

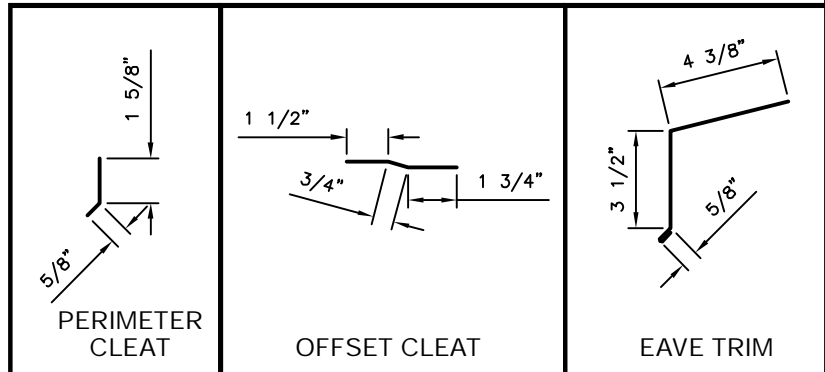
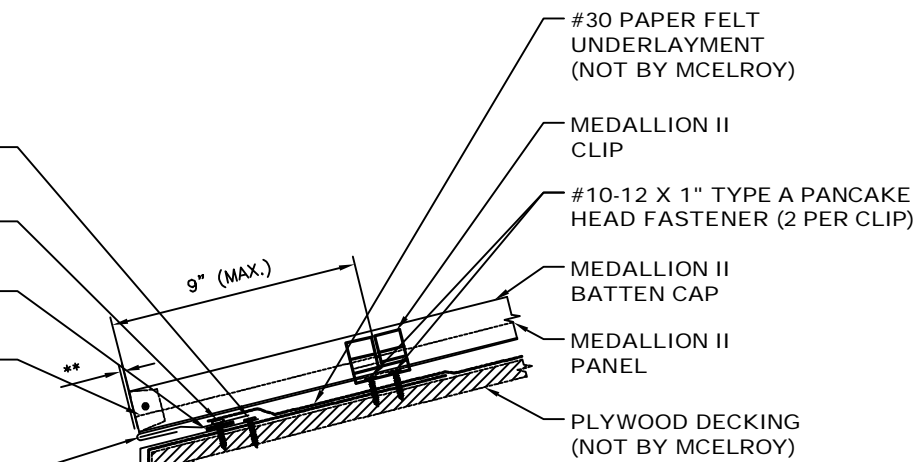
MEDALLION II EAVE NOTCHING & FOLDING



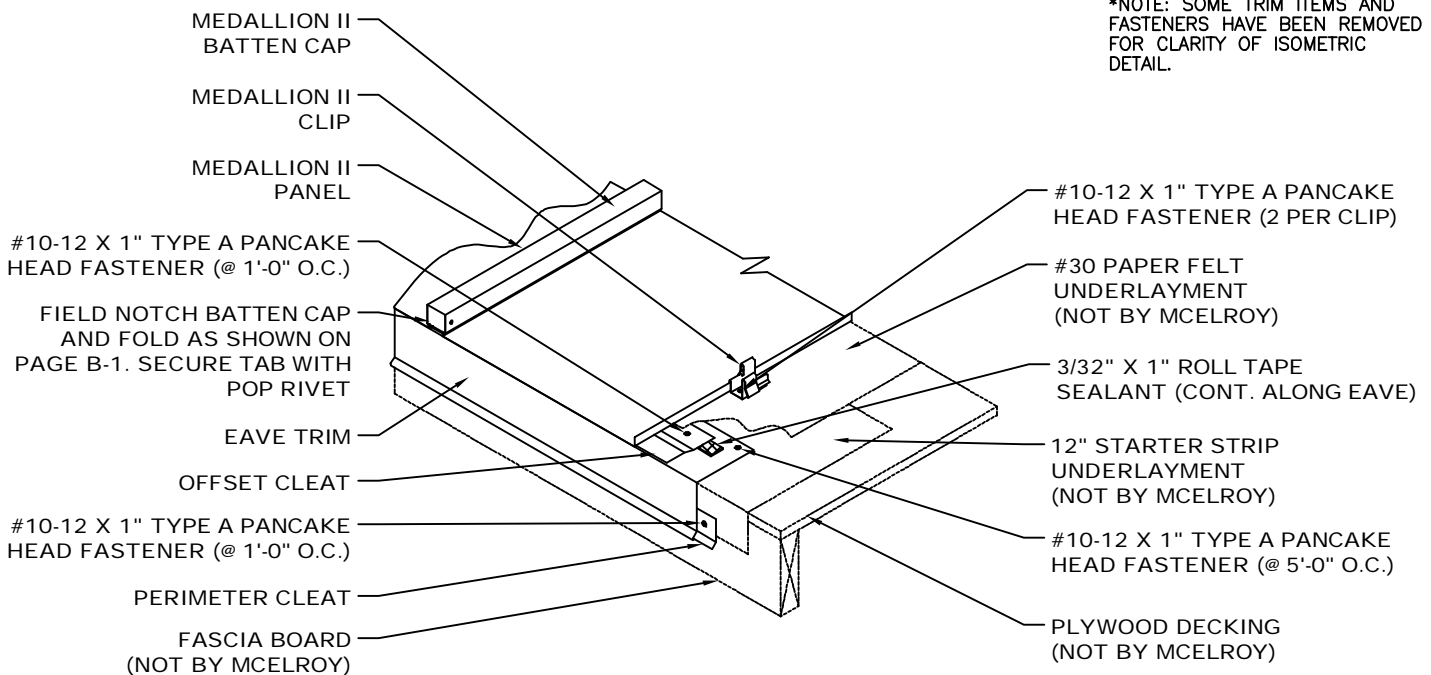
PANEL IS READY TO BE INSTALLED

**** CLEARANCE REQUIRED FOR THERMAL MOVEMENT**

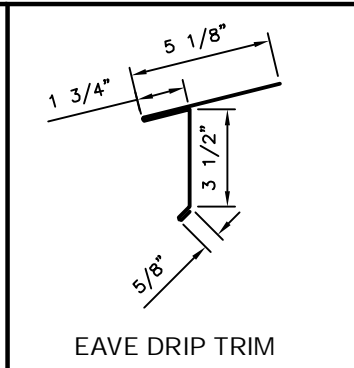
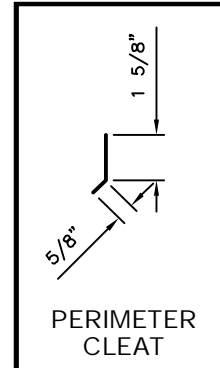
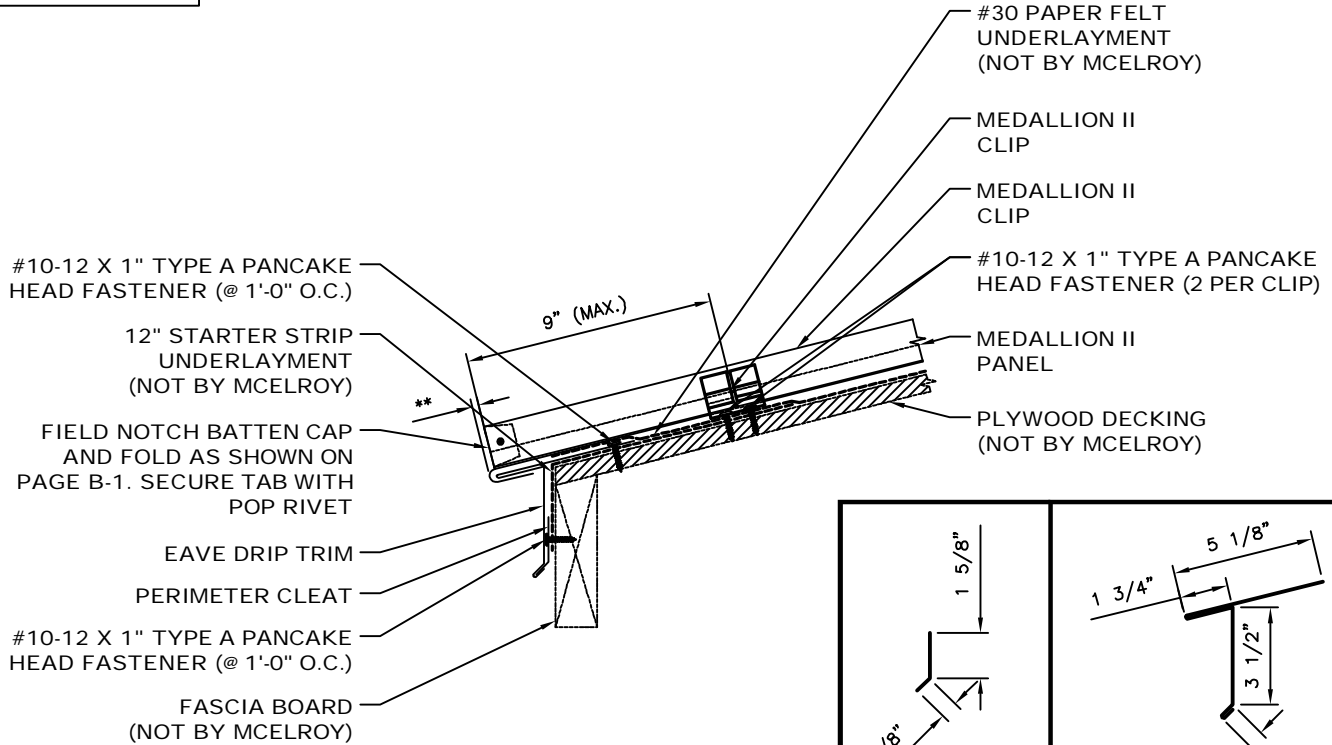
- #10-12 X 1" TYPE A PANCAKE HEAD FASTENER (@ 5'-0" O.C.)
- #10-12 X 1" TYPE A PANCAKE HEAD FASTENER (@ 1'-0" O.C.)
- 3/32" X 1" ROLL TAPE SEALANT (CONT. ALONG EAVE)
- FIELD NOTCH BATTEN CAP AND FOLD AS SHOWN ON PAGE B-1. SECURE TAB WITH POP RIVET
- OFFSET CLEAT
- EAVE TRIM
- 12" STARTER STRIP UNDERLAYMENT (NOT BY MCELROY)
- #10-12 X 1" TYPE A PANCAKE HEAD FASTENER (@ 1'-0" O.C.)
- PERIMETER CLEAT
- FASCIA BOARD (NOT BY MCELROY)



- NOTES:**
1. Attach Perimeter Cleat to fascia with #10-12 x 1" Type A Pancake Head Fasteners at 1'-0" O.C.
 2. Hook Eave Trim onto Perimeter Cleat and attach to substrate with #10-12 x 1" Type A Pancake Head Fasteners at 5'-0" O.C. making sure to fasten in upper area of flange.
 3. Apply 3/32" x 1" Roll Tape Sealant to flange of Eave Trim in a continuous line along the length of the eave
 4. Attach Offset Cleat as shown and fasten to substrate with #10-12 x 1" Type A Fasteners at 1'-0" O.C. making sure to fasten through or just above sealant line.
 5. After notching and folding panel as shown on page B-2, install panel and secure in place with clips.

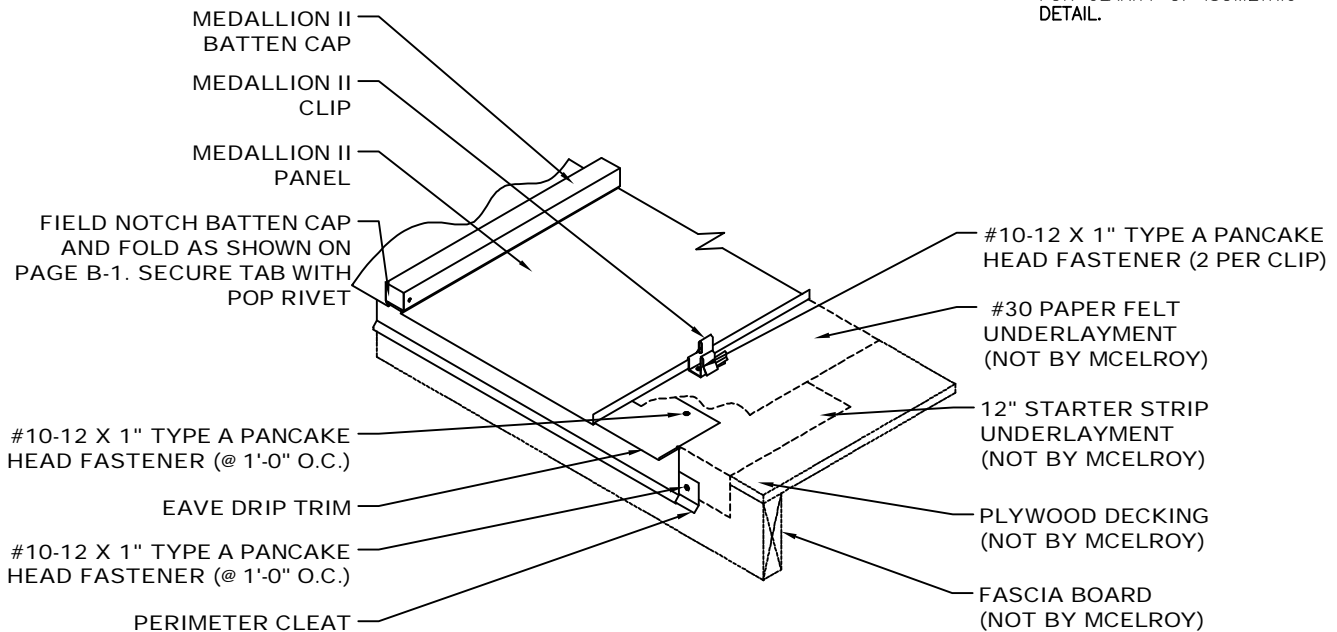


**** CLEARANCE REQUIRED FOR THERMAL MOVEMENT**

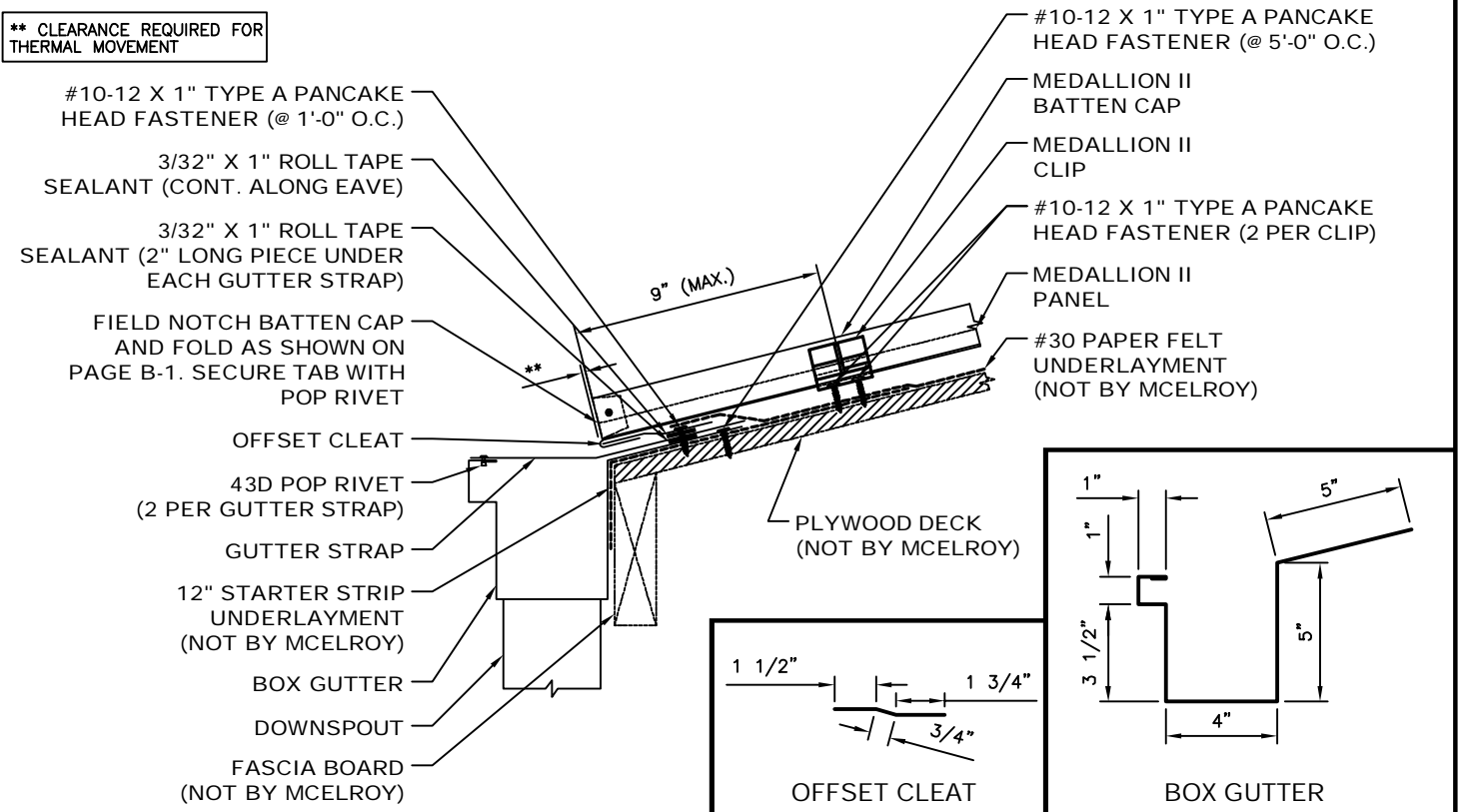


- NOTES:**
1. Attach Perimeter Cleat to fascia with #10-12 x 1" Type A Pancake Head Fasteners at 1'-0" O.C.
 2. Hook Eave Drip Trim onto Perimeter Cleat and attach to substrate with #10-12 x 1" Type A Pancake Head Fasteners at 1'-0" O.C.
 3. After notching and folding panel as shown on page B-2, install panel and secure in place with clips.

***NOTE: SOME TRIM ITEMS AND FASTENERS HAVE BEEN REMOVED FOR CLARITY OF ISOMETRIC DETAIL.**

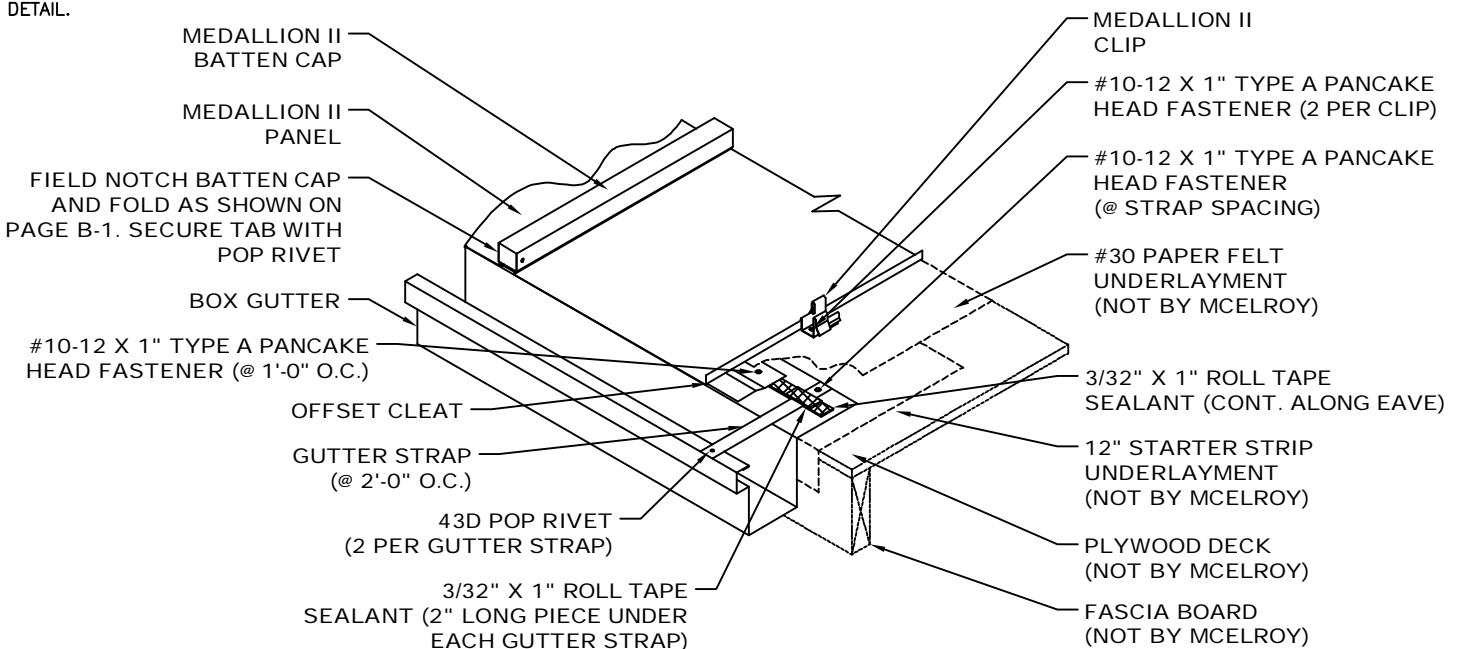


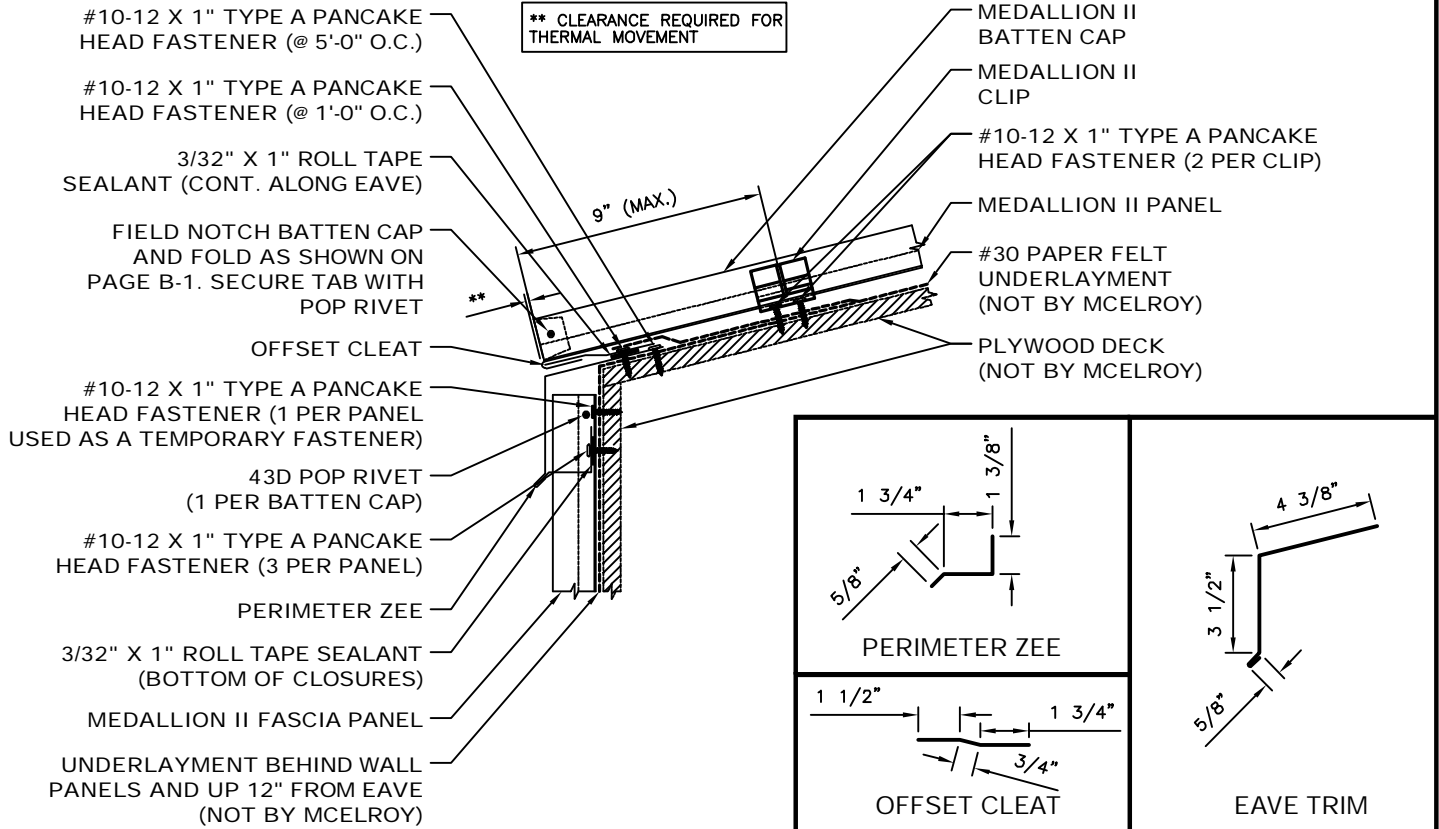
**** CLEARANCE REQUIRED FOR THERMAL MOVEMENT**



- NOTES:**
1. Install Gutter using #10-12 x 1" Type A Pancake Head Fasteners at 5'-0" O.C.
 2. Place Gutter Straps at 2'-0" O.C. along the eave, setting them on a 2" long piece of 3/32" x 1" Roll Tape Sealant on top of Gutter flange, making sure to center the strap over the piece of tape. Attach Gutter Straps with #10-12 x 1" Type A Pancake Head Fasteners at strap spacing.
 3. Apply 3/32" x 1" Roll Tape Sealant to flange of Gutter in a continuous line along the length of the eave. Tape Sealant will go over Gutter Strap and 2" piece of tape.
 4. Attach Offset Cleat with #10-12 x 1" Type A Pancake Head Fasteners at 1'-0" O.C.
 5. After notching and folding panel as shown on page B-2, install panel and secure in place with clips.
 6. Field bend Gutter Strap and attach to Gutter with two (2) 43D Pop Rivets.

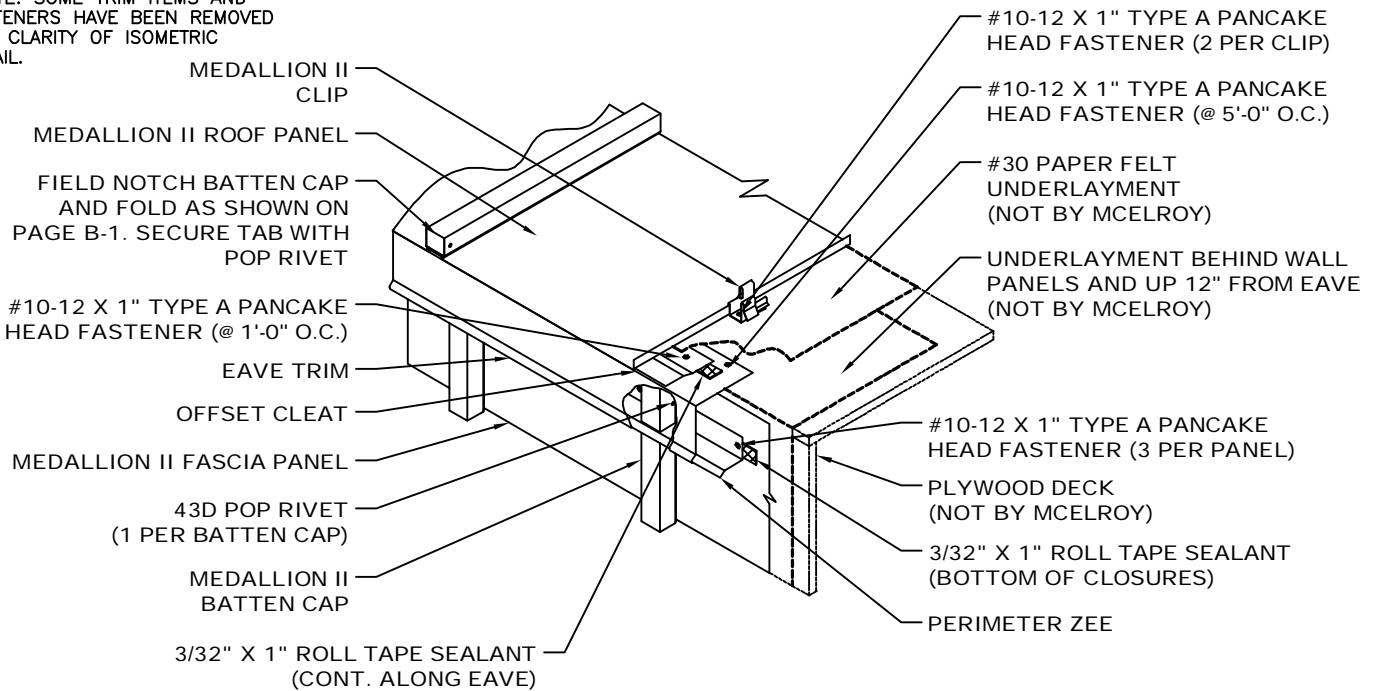
***NOTE: SOME TRIM ITEMS AND FASTENERS HAVE BEEN REMOVED FOR CLARITY OF ISOMETRIC DETAIL.**



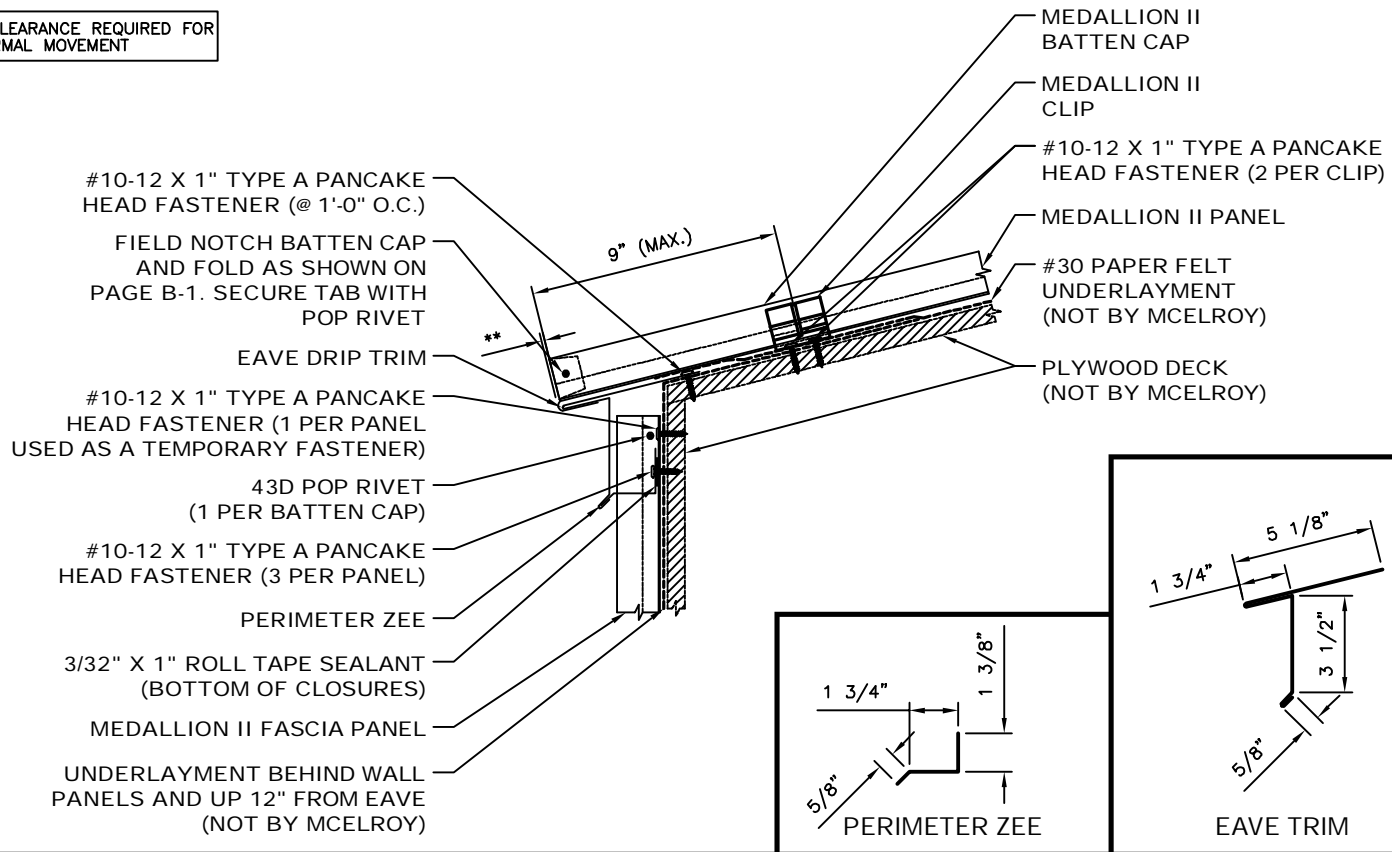


- NOTES:**
1. Attach Medallion II Fascia panels as directed.
 2. Install Perimeter Zee as shown.
 3. Hook Eave Trim onto Perimeter Cleat and attach to substrate with #10-12 x 1" Type A Pancake Head Fasteners at 5'-0" O.C. making sure to fasten in upper area of flange.
 4. Apply 3/32" x 1" Roll Tape Sealant to flange of Gutter in a continuous line along the length of the eave.
 5. Attach Offset Cleat as shown and fasten to substrate with #10-12 x 1" Type A Fasteners at 1'-0" O.C. making sure to fasten through or just above sealant line.
 6. After notching and folding panel as shown on page B-2, install panel and secure in place with clips.
 7. Install Batten Cap by placing them on top of panel clip and snapping them down onto the clips. Behind where the Outside Closure will sit, place a 43D Pop Rivet through Batten Cap into panel leg.

*NOTE: SOME TRIM ITEMS AND FASTENERS HAVE BEEN REMOVED FOR CLARITY OF ISOMETRIC DETAIL.

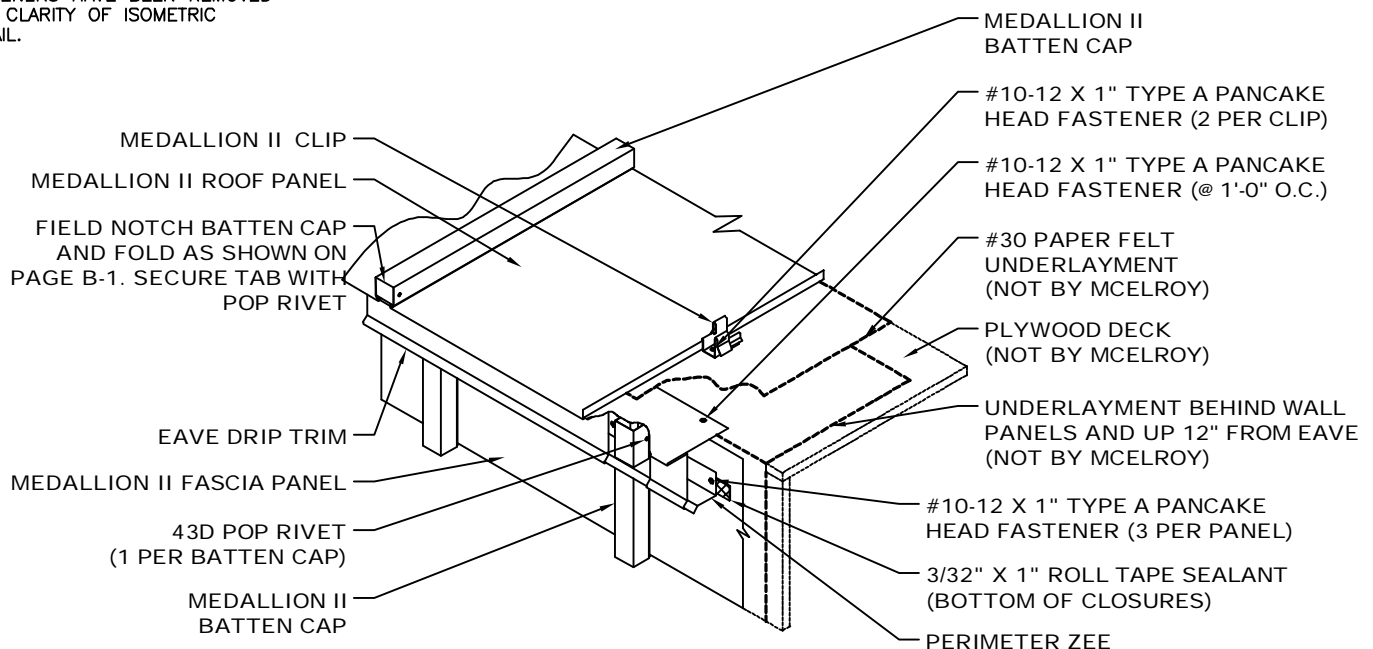


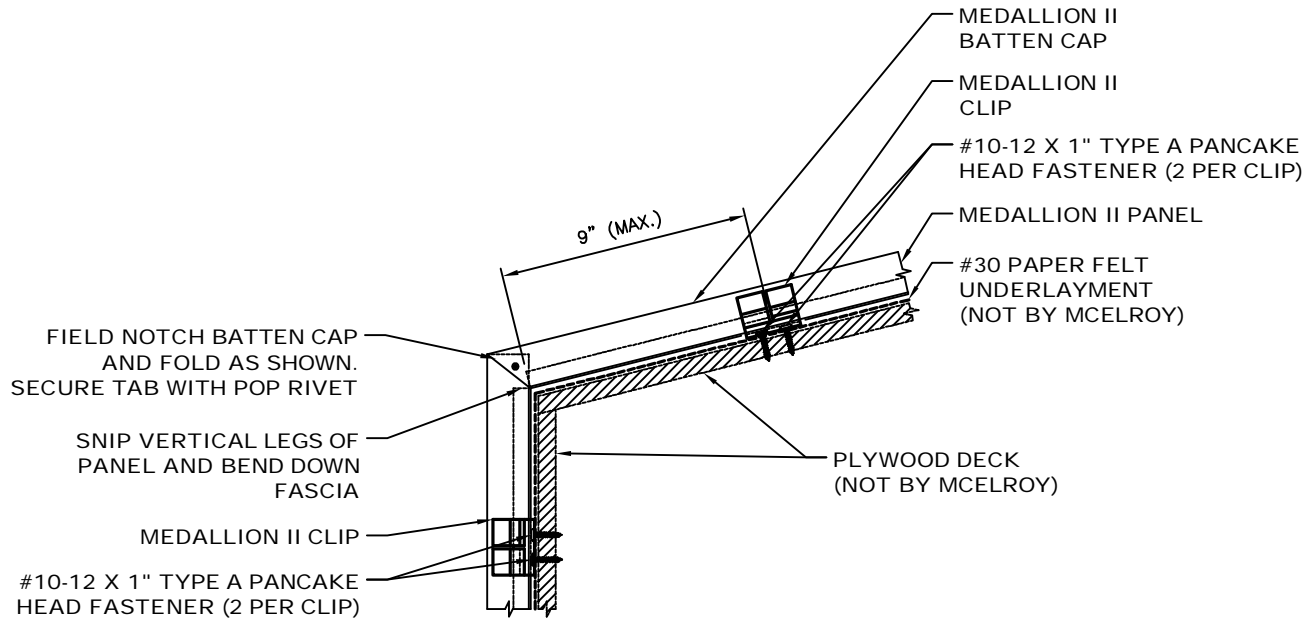
** CLEARANCE REQUIRED FOR THERMAL MOVEMENT



- NOTES:
1. Attach Medallion II fascia panels and Batten Caps as directed.
 2. Install Perimeter Zee as shown.
 3. Hook Eave Drip Trim onto Perimeter Cleat and attach to substrate with #10-12 x 1" Type A Pancake Head Fasteners at 1'-0" O.C. making sure to fasten in upper area of flange.
 4. After notching and folding panel as shown on page B-2, install panel and secure in place with clips.
 5. Install Batten Cap by placing them on top of panel clip and snapping them down onto the clips. Behind where the Outside Closure will sit, place a 43D Pop Rivet through Batten Cap into panel leg.

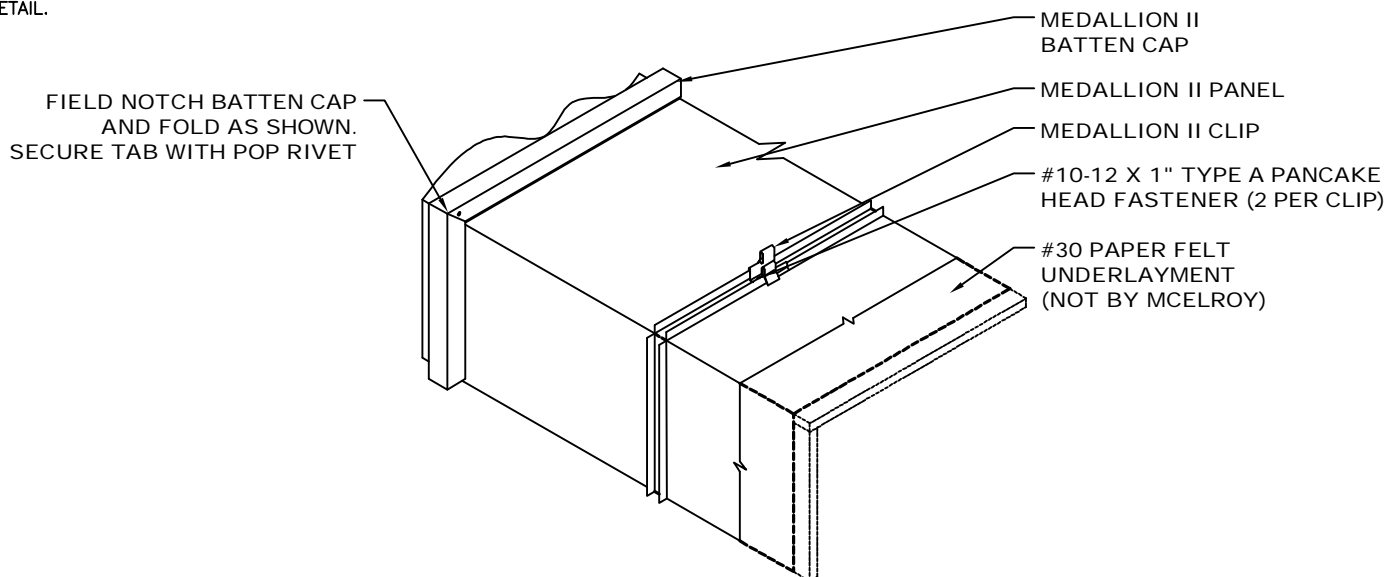
*NOTE: SOME TRIM ITEMS AND FASTENERS HAVE BEEN REMOVED FOR CLARITY OF ISOMETRIC DETAIL.

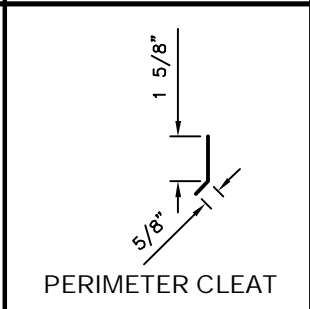
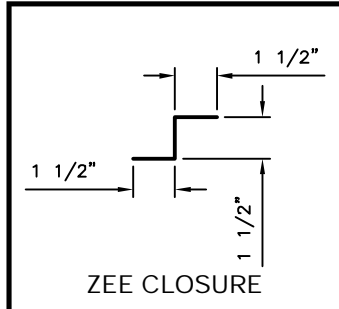
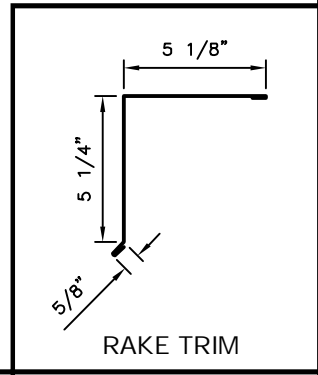
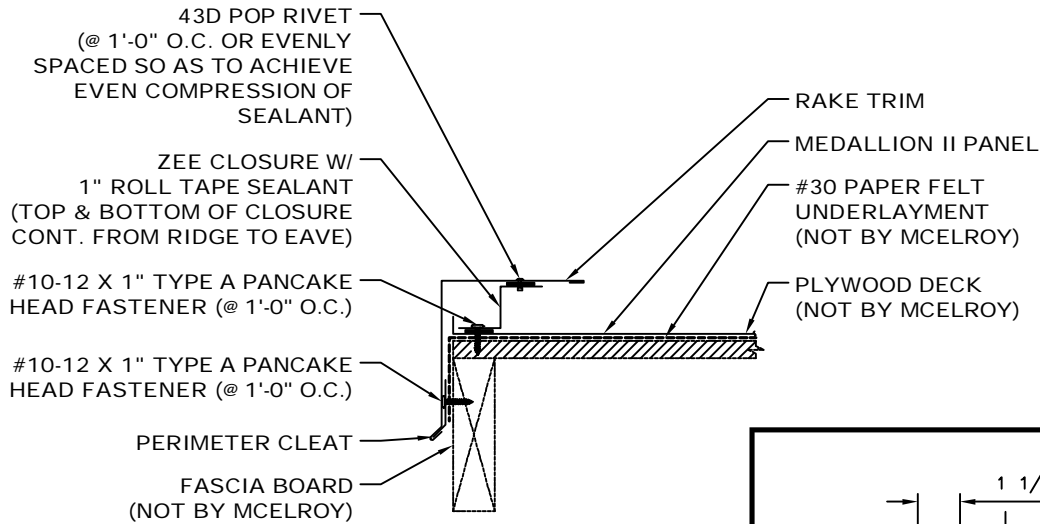




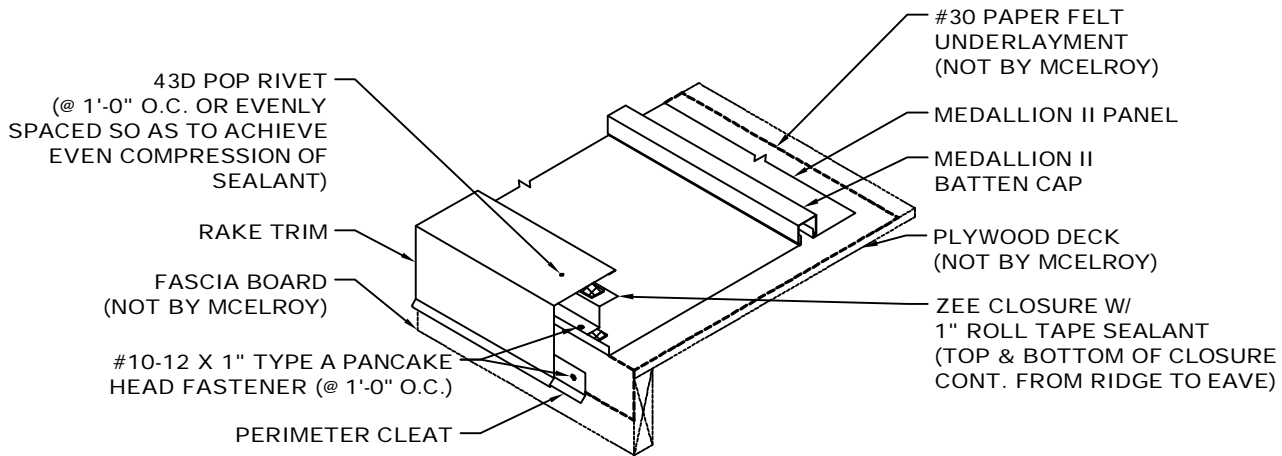
- NOTES:
1. Field cut Medallion II panels and field bend to required transition angle.
 2. Attach Medallion II panels with clip and secure clips with two (2) #10-12 x 1" Type A Pancake Head Fasteners.
 3. Apply Tube Sealant at the panel transition before installing the Batten Caps.
 4. Field notch and bend Batten Caps to fit panel. Secure with pop rivet.
 5. Snow guards should be used to prevent damage to this detail from sliding snow.

*NOTE: SOME TRIM ITEMS AND FASTENERS HAVE BEEN REMOVED FOR CLARITY OF ISOMETRIC DETAIL.

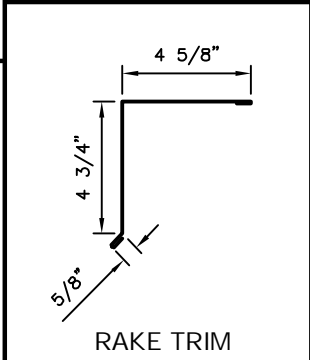
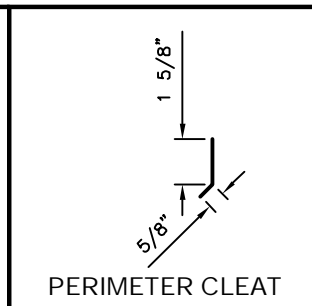
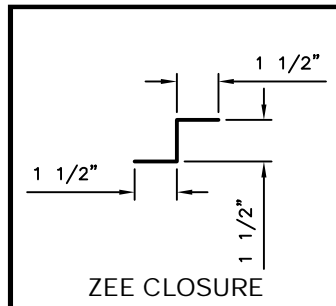
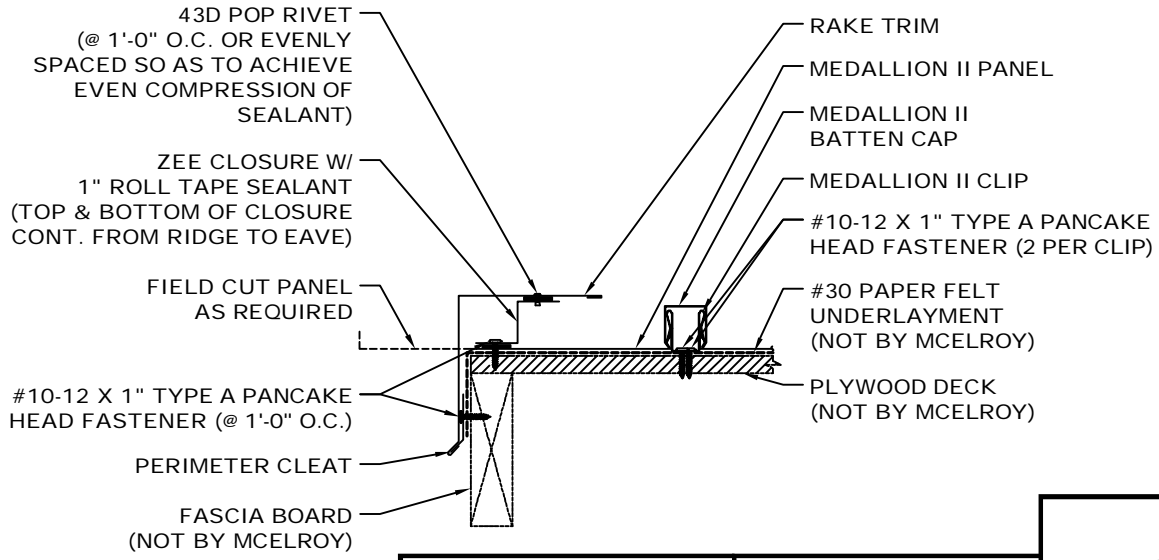




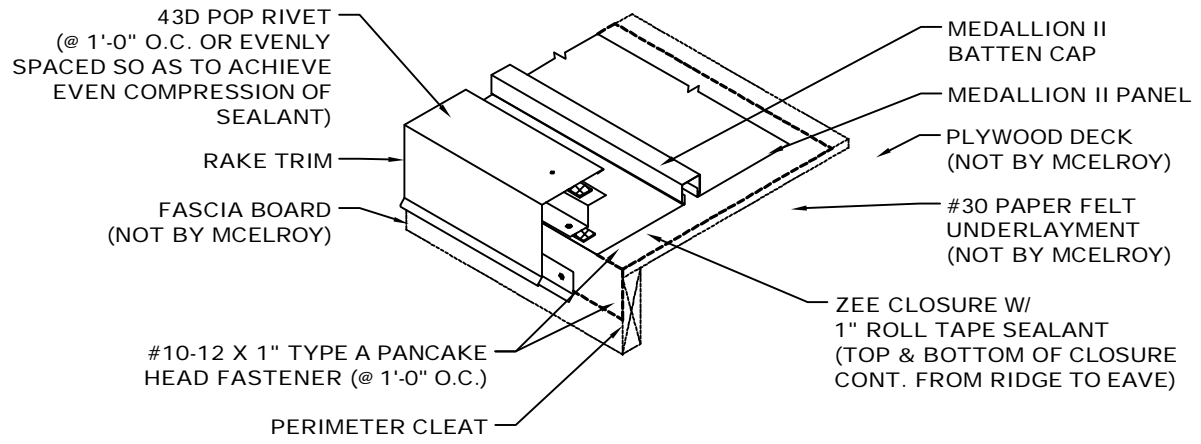
- NOTES: 1. After completing all the eave detail requirements, attach Perimeter Cleat to fascia with #10-12 x 1" Type A Pancake Fasteners at 1'-0" O.C.
2. Start the Medallion II panel at the substrate edge as shown.
3. Apply a continuous run of 3/32" x 1" Roll Tape Sealant to the bottom flange of the Zee Closure and attach with #10-12 x 1" Type A Pancake Head Fasteners at 1'-0" O.C.
4. Apply a continuous run of 3/32" x 1" Roll Tape Sealant to the top flange of the Zee Closure.
5. Hook Rake Trim onto Perimeter Cleat and fasten to Zee Closure with 43D Pop Rivets at 1'-0" O.C.



*NOTE: SOME TRIM ITEMS AND FASTENERS HAVE BEEN REMOVED FOR CLARITY OF ISOMETRIC DETAIL.



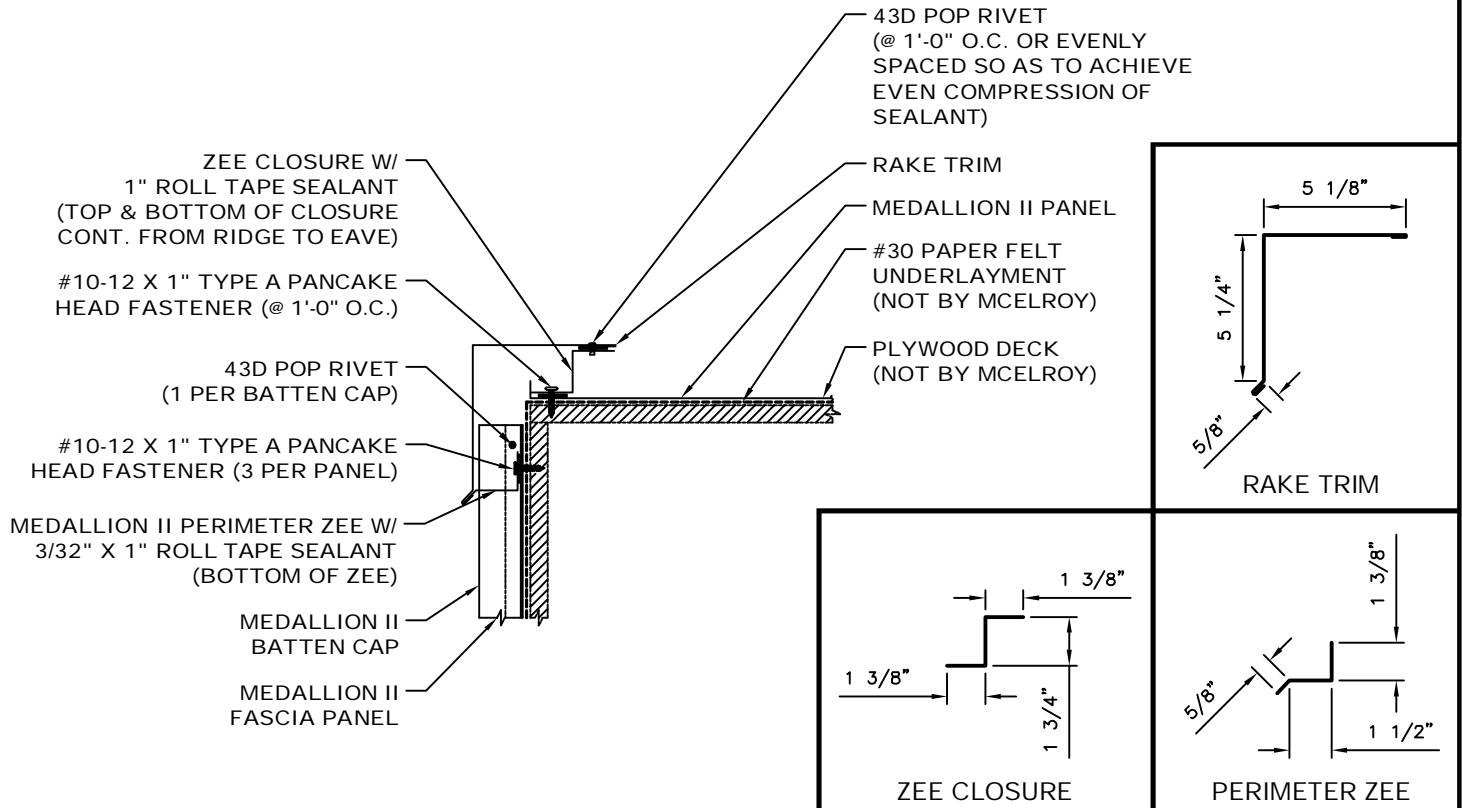
- NOTES: 1. After completing all the eave detail requirements, attach Perimeter Cleat to fascia with #10-12 x 1" Type A Pancake Fasteners at 1'-0" O.C.
2. Field cut seam of Medallion II panel and start at the building line as shown.
3. Apply a continuous run of 3/32" x 1" Roll Tape Sealant to the bottom flange of the Zee Closure and attach with #10-12 x 1" Type A Pancake Head Fasteners at 1'-0" O.C.
4. Apply a continuous run of 3/32" x 1" Roll Tape Sealant to the top flange of the Zee Closure.
5. Hook Rake Trim onto Perimeter Cleat and fasten to Zee Closure with 43D Pop Rivets at 1'-0" O.C.



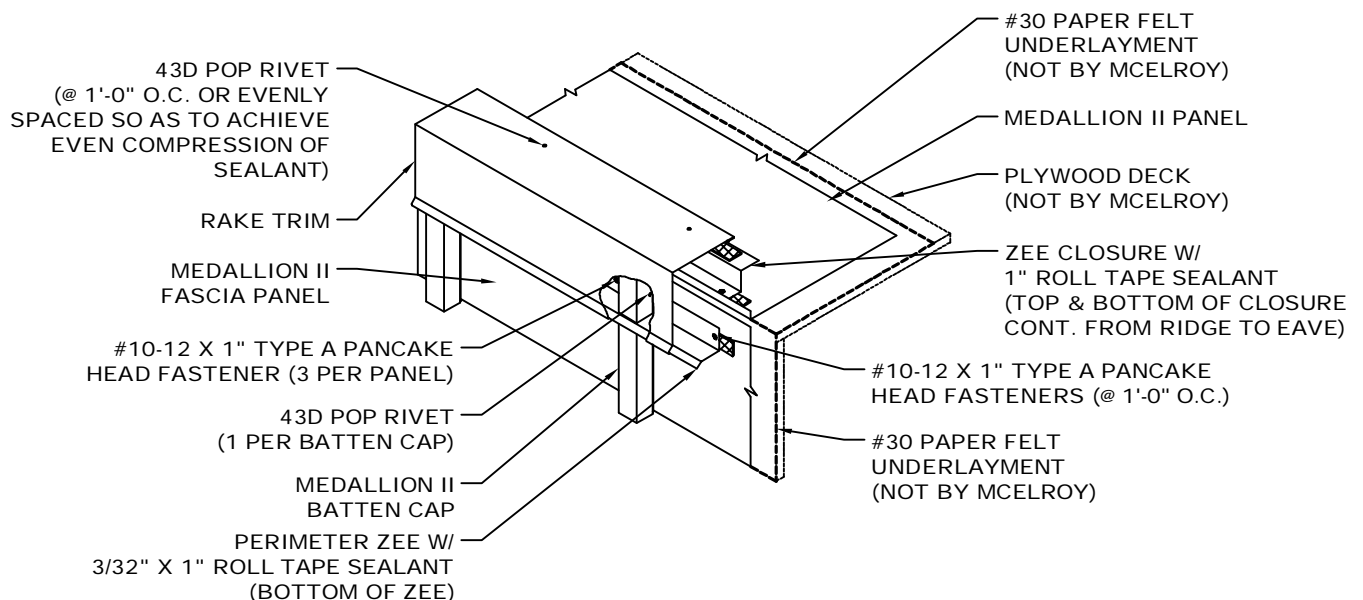
*NOTE: SOME TRIM ITEMS AND FASTENERS HAVE BEEN REMOVED FOR CLARITY OF ISOMETRIC DETAIL.

MEDALLION II

RAKE TO WALL PANEL DETAIL



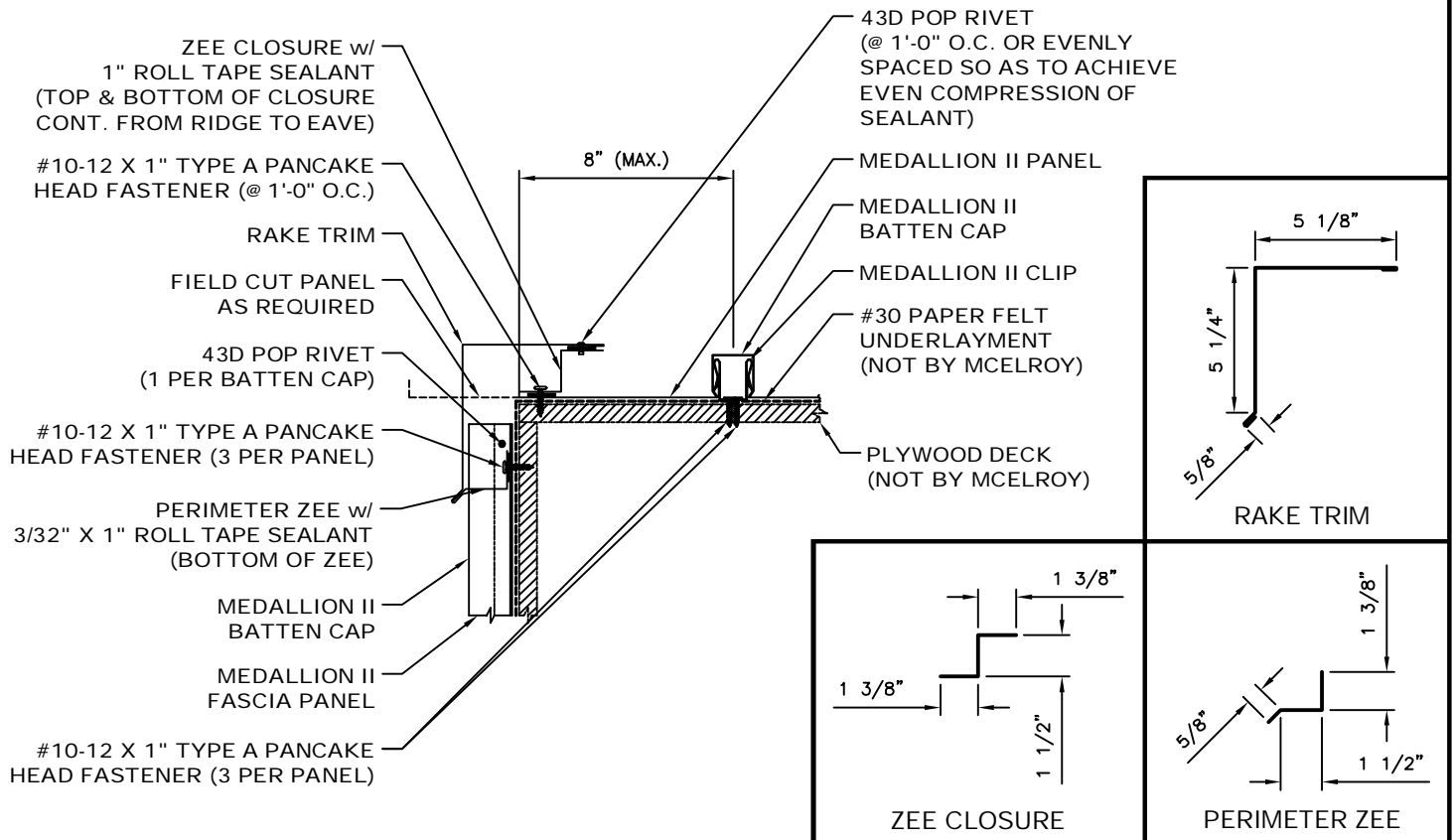
- NOTES: 1. After completing all the eave detail requirements and installing all the fascia panels install the Perimeter Zee as shown with #10-12 x " Type A Pancake Fasteners (3 per panel).
2. Start the Medallion II panel at the substrate edge as shown.
3. Apply a continuous run of 3/32" x 1" Roll Tape Sealant to the bottom flange of the Zee Closure and attach with #10-12 x 1" Type A Pancake Head Fasteners at 1'-0" O.C.
4. Apply a continuous run of 3/32" x 1" Roll Tape Sealant to the top flange of the Zee Closure.
5. Hook Rake Trim onto Perimeter Cleat and fasten to Zee Closure with 43D Pop Rivets at 1'-0" O.C.



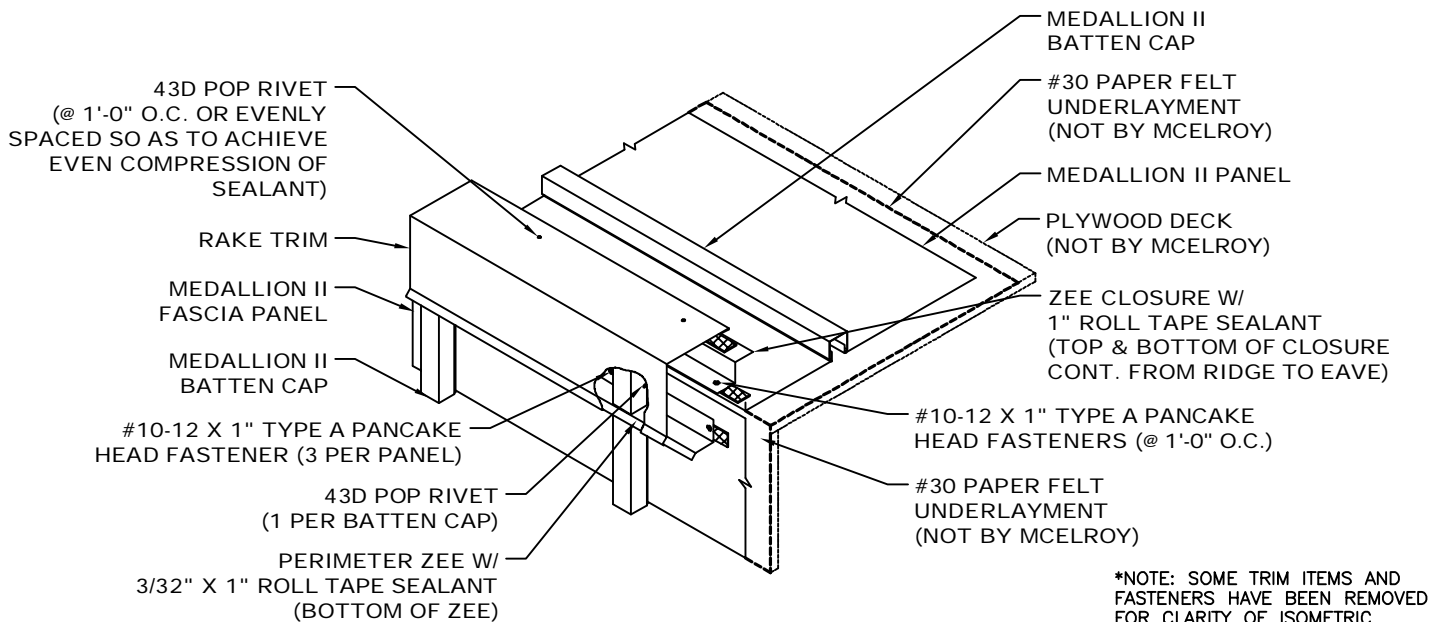
*NOTE: SOME TRIM ITEMS AND FASTENERS HAVE BEEN REMOVED FOR CLARITY OF ISOMETRIC DETAIL.

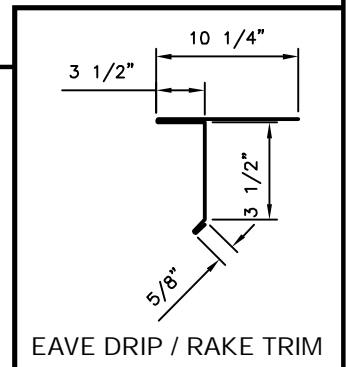
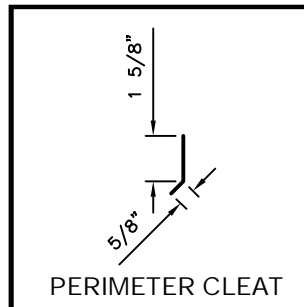
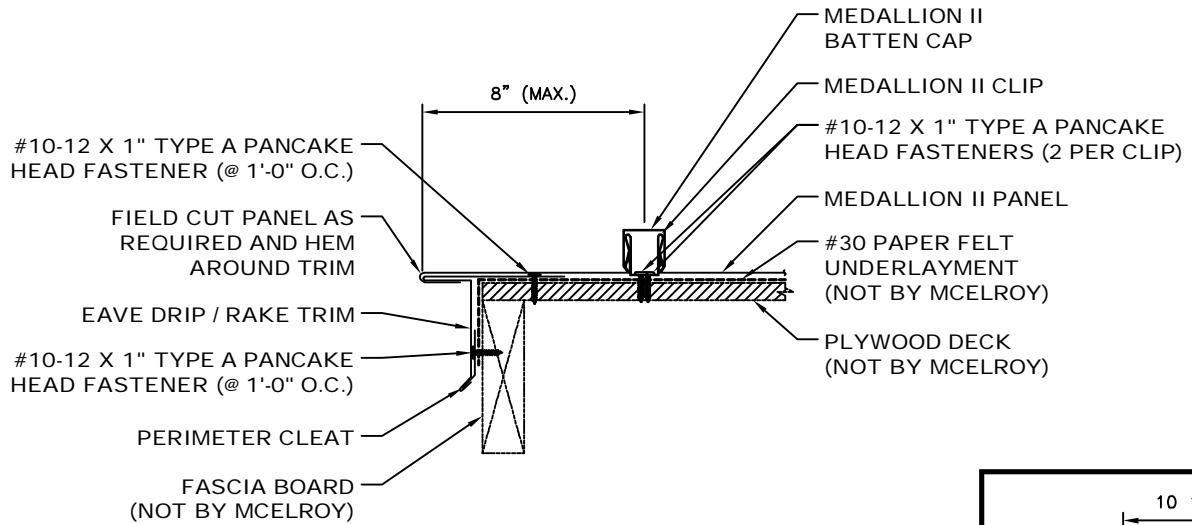
MEDALLION II

RAKE TO WALL PANEL (OFF MODULE) DETAIL

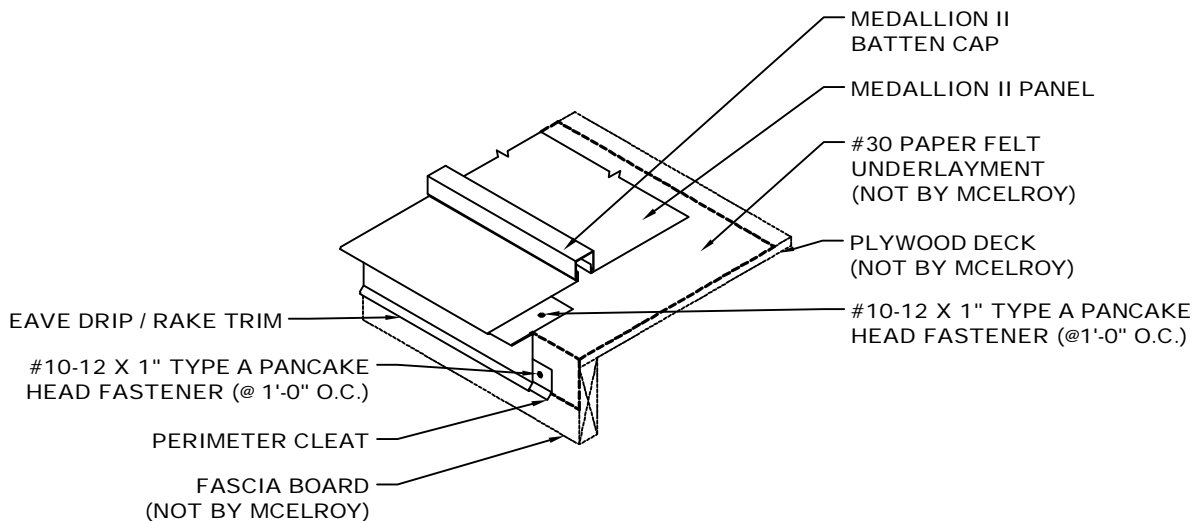


- NOTES:
1. After completing all the eave detail requirements, install Perimeter Zee to fascia panels with #10-12 x 1" Type A Pancake Fasteners (3 per panel).
 2. Field cut seam of Medallion II panel and start at the building line as shown.
 3. Apply a continuous run of 3/32" x 1" Roll Tape Sealant to the bottom flange of the Zee Closure and attach with #10-12 x 1" Type A Pancake Head Fasteners at 1'-0" O.C.
 4. Apply a continuous run of 3/32" x 1" Roll Tape Sealant to the top flange of the Zee Closure.
 5. Hook Rake Trim onto Perimeter Zee and fasten to Zee Closure with 43D Pop Rivets at 1'-0" O.C.

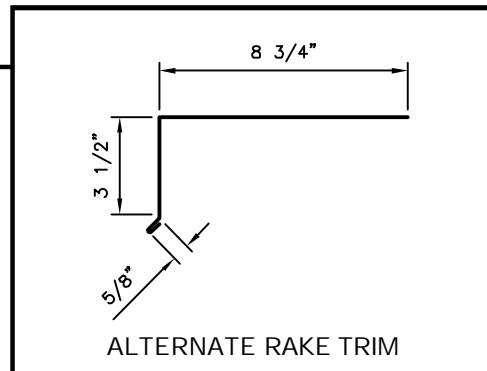
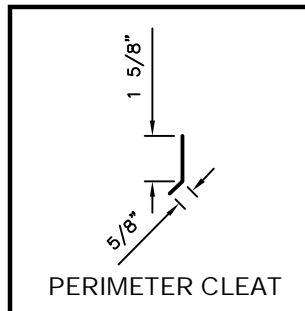
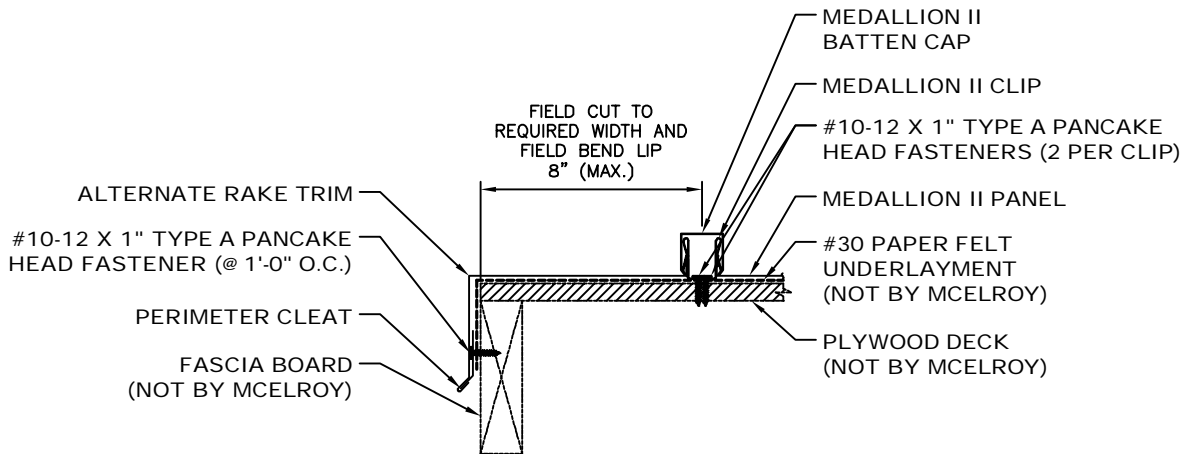




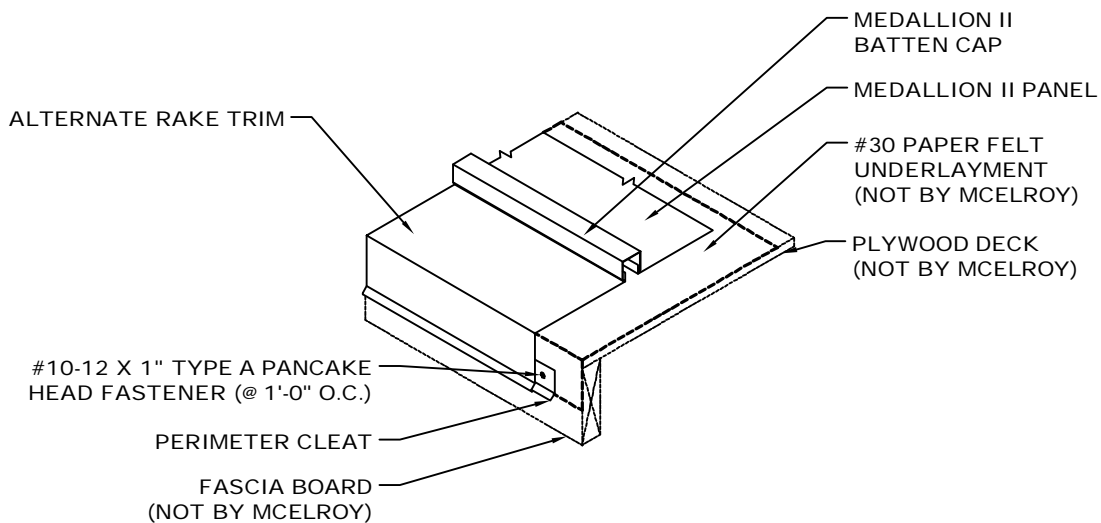
- NOTES: 1. After completing all the eave detail requirements, attach Perimeter Cleat to fascia with #10-12 x 1" Type A Pancake Fasteners at 1'-0" O.C.
2. Hook Eave Drip / Rake Trim onto Perimeter Cleat and fasten to plywood deck with #10-12 x 1" Type A Pancake Head Fasteners at 1'-0" O.C.
3. Field Cut the Medallion II panel as required leaving 1 1/2" of additional panel width. Fold the 1 1/2" of additional panel down so that it can be hemmed around the Eave Drip / Rake Trim.



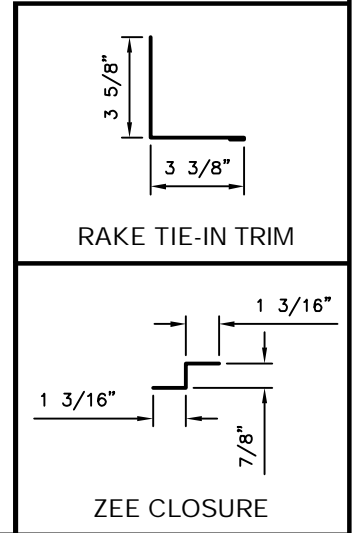
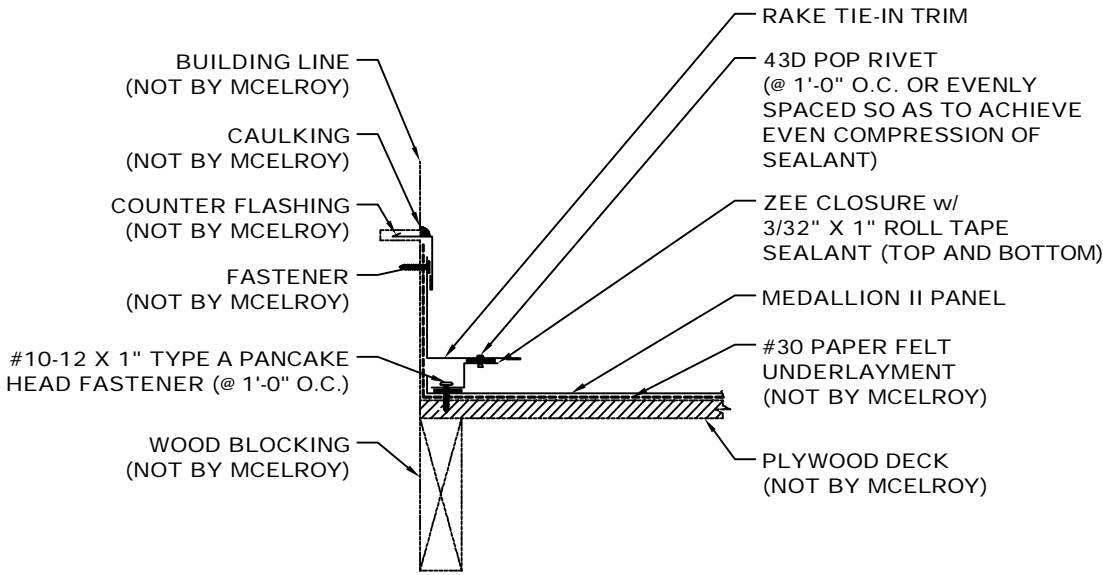
*NOTE: SOME TRIM ITEMS AND FASTENERS HAVE BEEN REMOVED FOR CLARITY OF ISOMETRIC DETAIL.



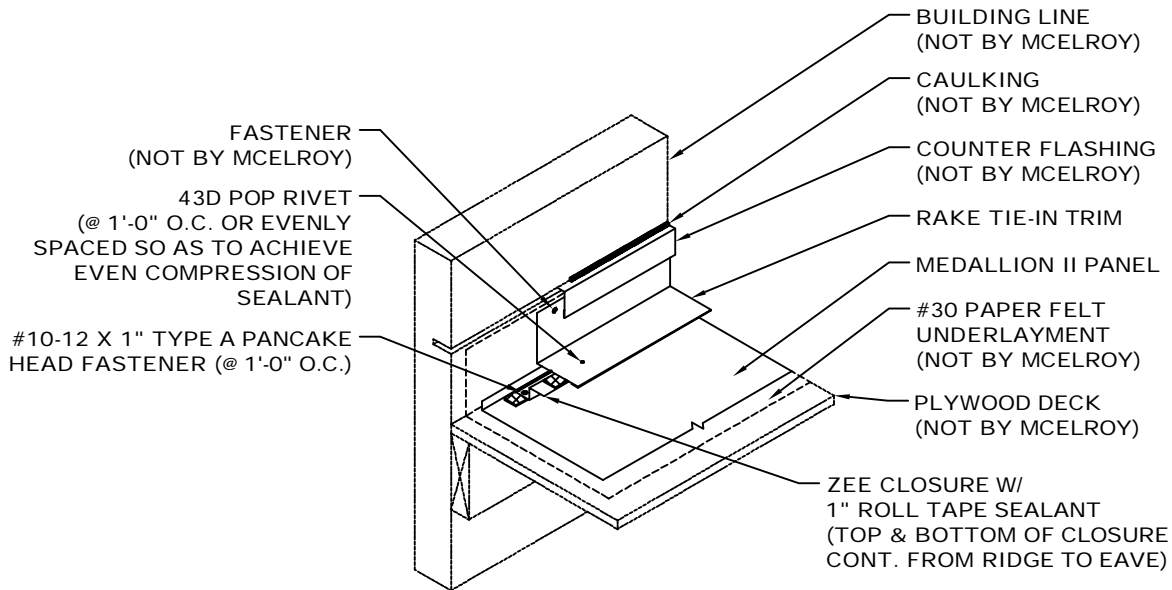
- NOTES: 1. After completing all the eave detail requirements, attach Perimeter Cleat to fascia with #10-12 x 1" Type A Pancake Fasteners at 1'-0" O.C.
 2. Field cut Alternate Rake Trim to required width (8" MAX.) and field bend a 3/4" vertical leg.
 3. Hook Alternate Rake Trim onto Perimeter Cleat and set in place. Once in place, install Medallion II Batten Cap.



*NOTE: SOME TRIM ITEMS AND FASTENERS HAVE BEEN REMOVED FOR CLARITY OF ISOMETRIC DETAIL.

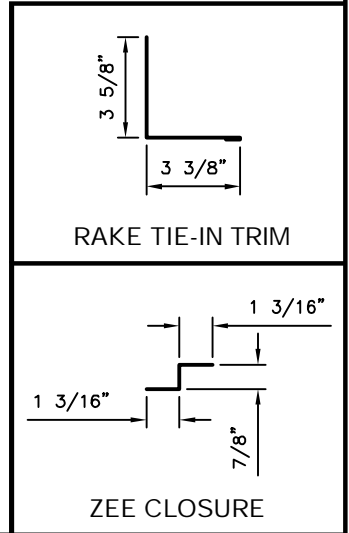
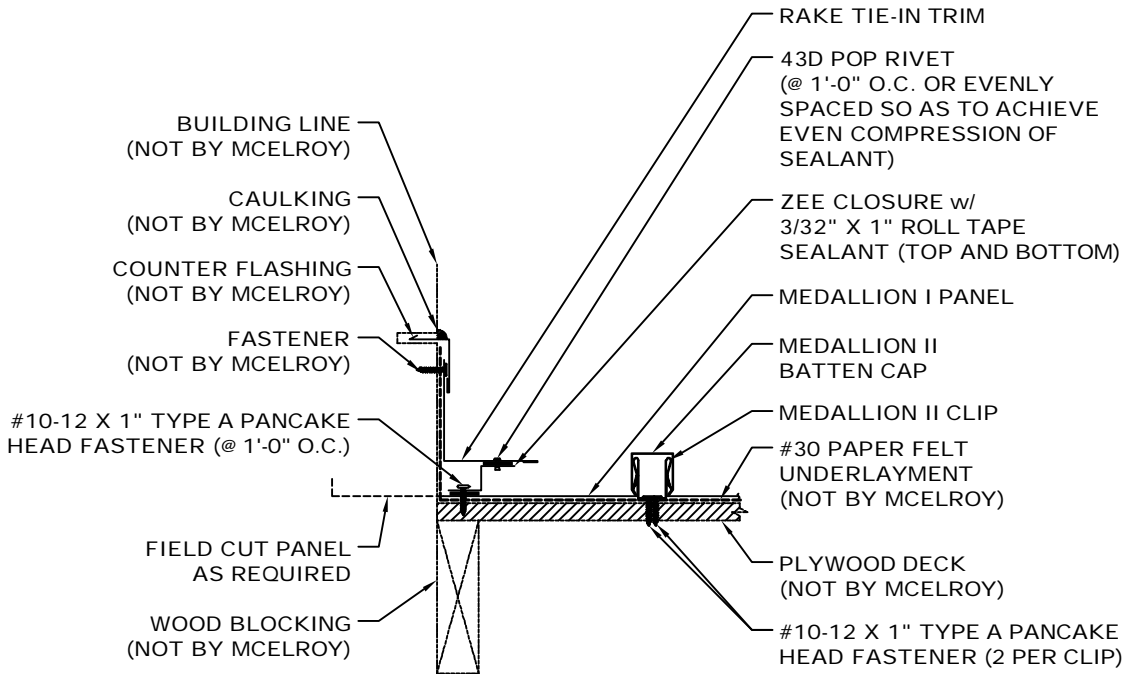


- NOTES:
1. Complete all the eave detail requirements.
 2. Start the Medallion II panel at the building-line as shown.
 3. Apply a continuous run of 3/32" x 1" Roll Tape Sealant to the bottom flange of the Zee Closure and attach with #10-12 x 1" Type A Pancake Head Fasteners at 1'-0" O.C.
 4. Apply a continuous run of 3/32" x 1" Roll Tape Sealant to the top flange of the Zee Closure.
 5. Attach Rake Tie-In Trim to Zee Closure with 43D Pop Rivets at 1'-0" O.C.



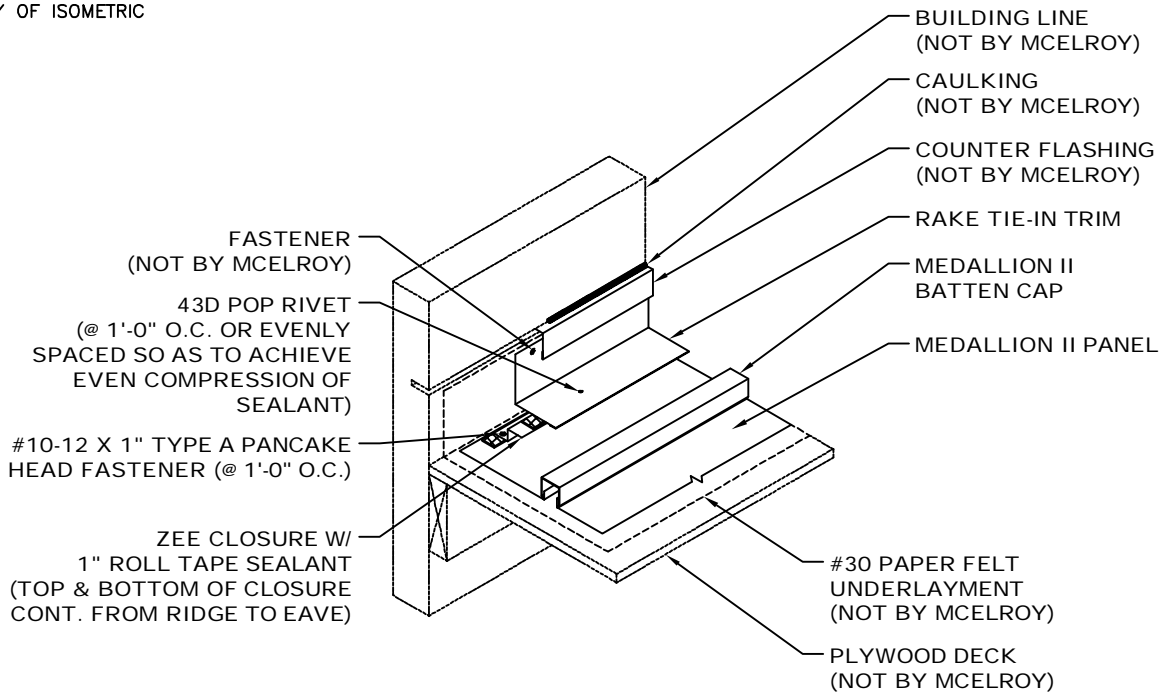
*NOTE: SOME TRIM ITEMS AND FASTENERS HAVE BEEN REMOVED FOR CLARITY OF ISOMETRIC DETAIL.

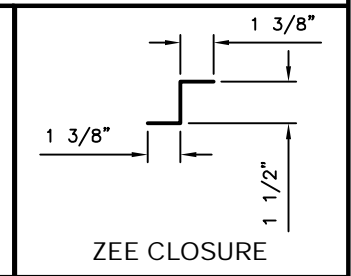
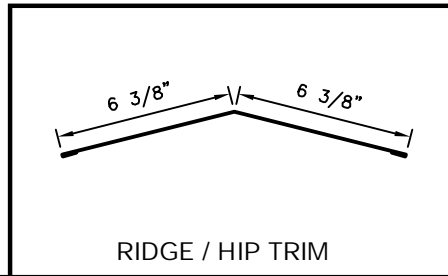
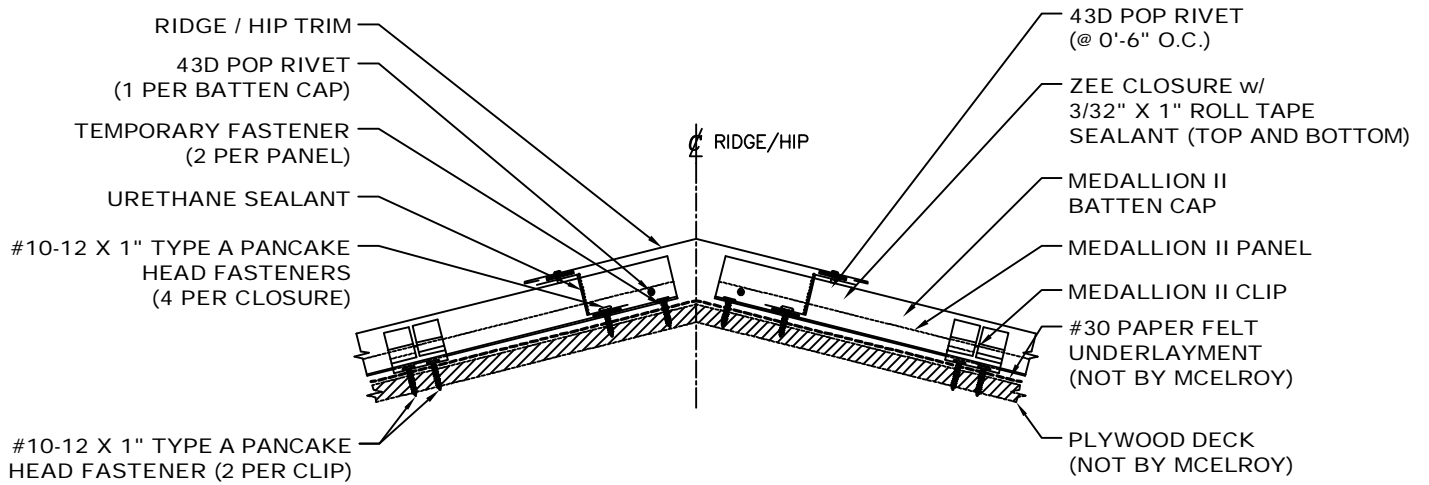
MEDALLION II RAKE TIE-IN (OFF MODULE) DETAIL



- NOTES: 1. Complete all the eave detail requirements.
 2. Field cut Medallion II panel as required and set in place as shown.
 3. Apply a continuous run of 3/32" x 1" Roll Tape Sealant to the bottom flange of the Zee Closure and attach with #10-12 x 1" Type A Pancake Head Fasteners at 1'-0" O.C.
 4. Apply a continuous run of 3/32" x 1" Roll Tape Sealant to the top flange of the Zee Closure.
 5. Attach Rake Tie-In Trim to Zee Closure with 43D Pop Rivets at 1'-0" O.C.

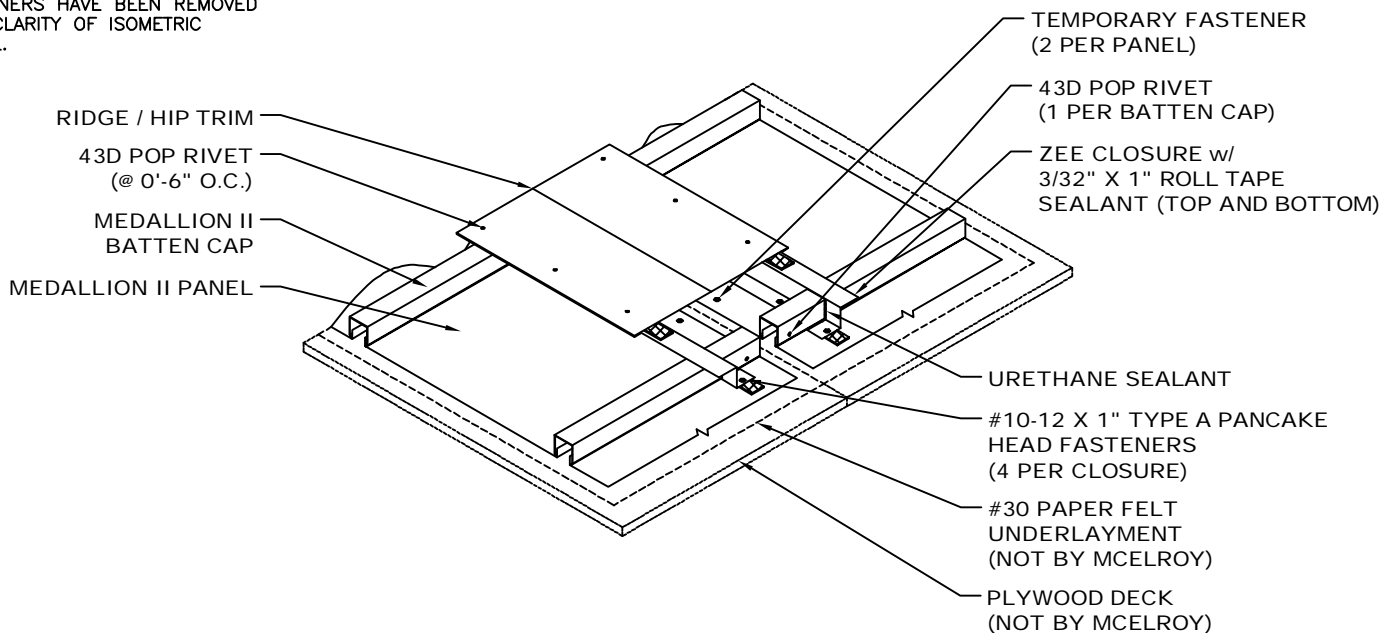
*NOTE: SOME TRIM ITEMS AND FASTENERS HAVE BEEN REMOVED FOR CLARITY OF ISOMETRIC DETAIL.

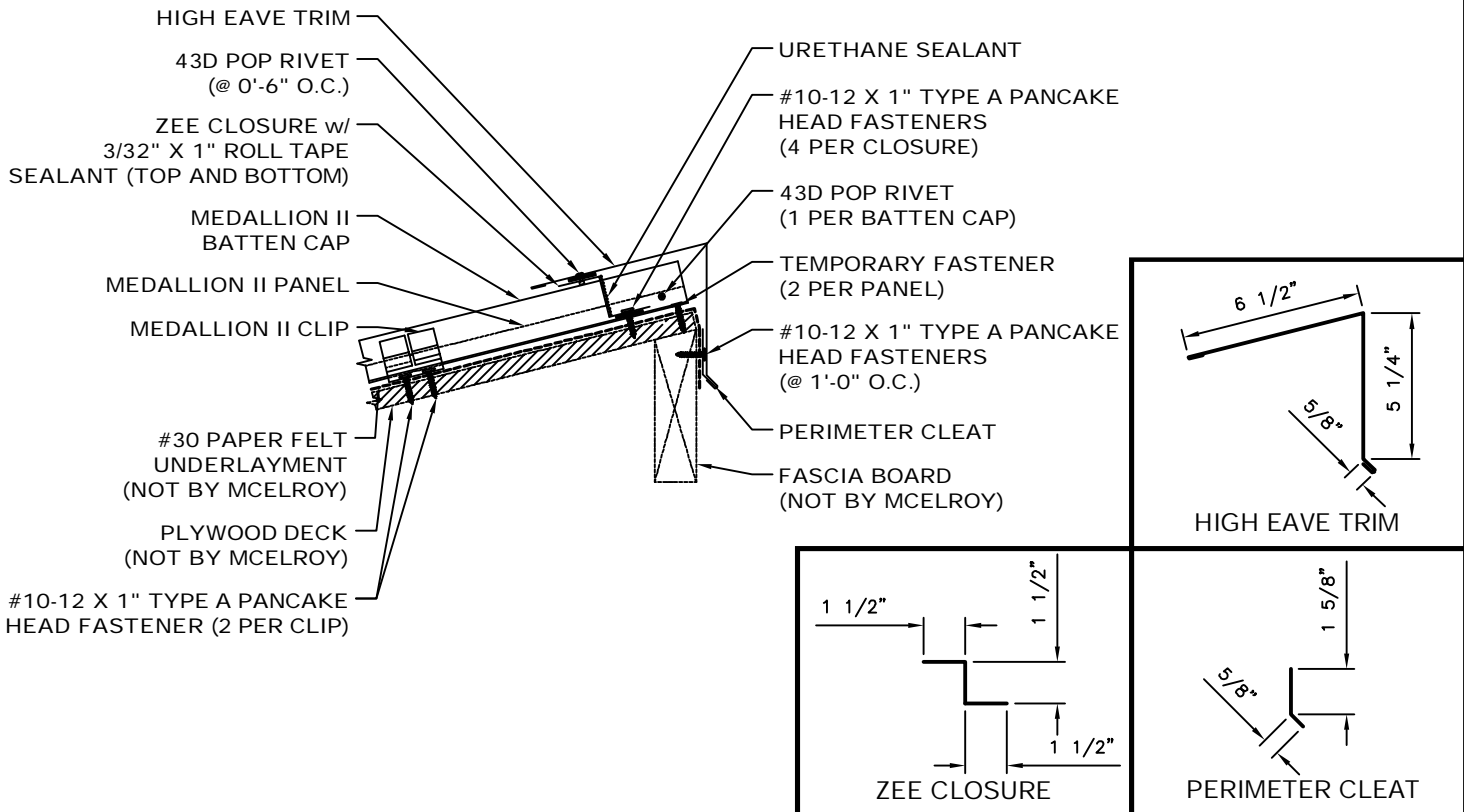




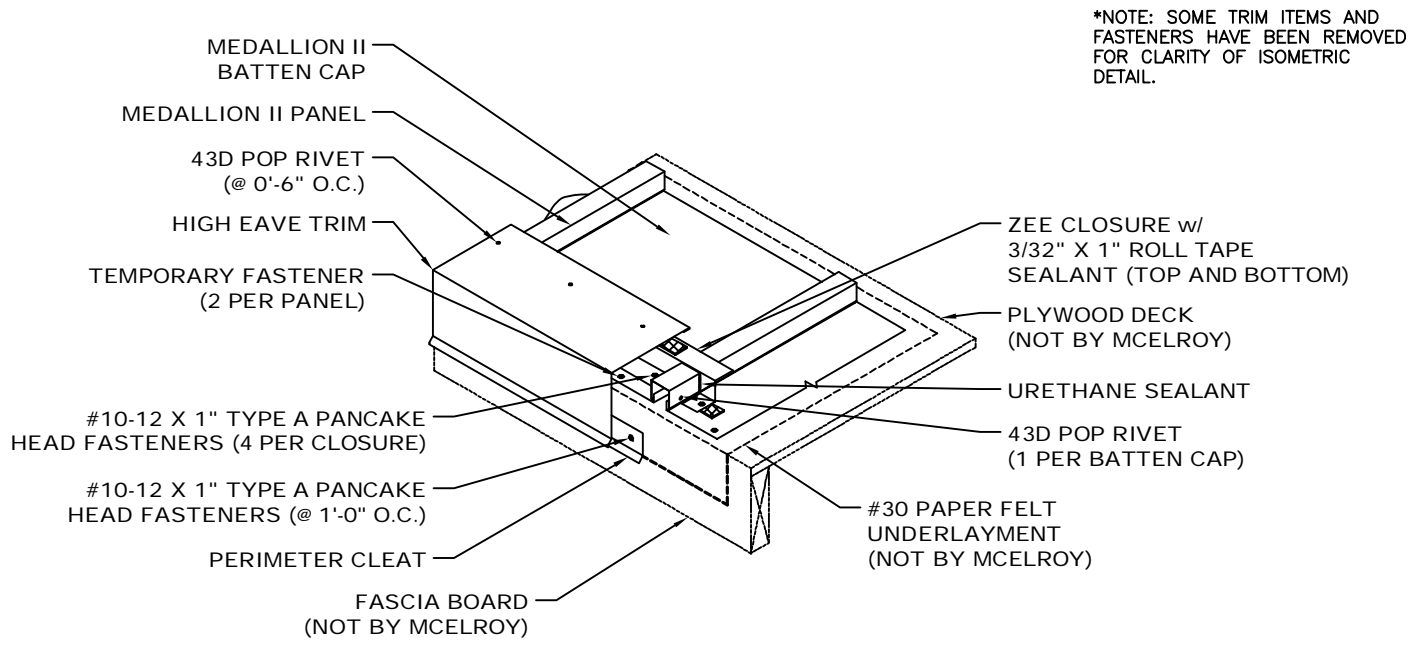
- NOTES:
1. Install Medallion II panels with clips approximately 1'-0" downhill on each side of the ridge / hip. Attach clips with two (2) #10-12 x 1" Type A Pancake Head Fasteners.
 2. Install Batten Caps to edge of panel and secure with one (1) 43D Pop Rivet as shown.
 3. Apply a continuous run of 3/32" x 1" Roll Tape Sealant between the panel legs about 2" down from the end of the panel.
 4. Field cut and attach Zee Closure using #10-12 x 1" Type A Pancake Head Fasteners at 0'-4" O.C. through closure flange, sealant, panel and into substrate.
 5. Apply Urethane Tube Sealant to Zee Closure and panel ribs.
 6. Apply a continuous run of 3/32" x 1" Roll Tape Sealant to the top of Zee Closure.
 7. Trim pieces lap 2". Apply 3/32" x 3/8" Butyl Tape or Butyl Tube Sealant in trim laps and Pop Rivet trims as shown on page C-23.
 8. Attach Ridge / Hip Trim to Zee Closure with 43D Pop Rivets at 0'-6" O.C.

*NOTE: SOME TRIM ITEMS AND FASTENERS HAVE BEEN REMOVED FOR CLARITY OF ISOMETRIC DETAIL.

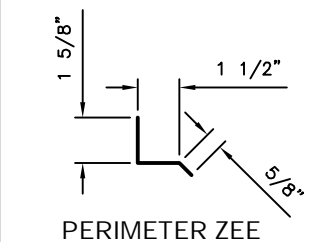
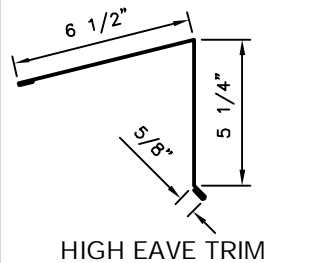
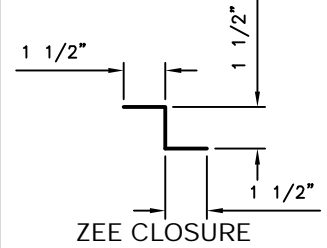
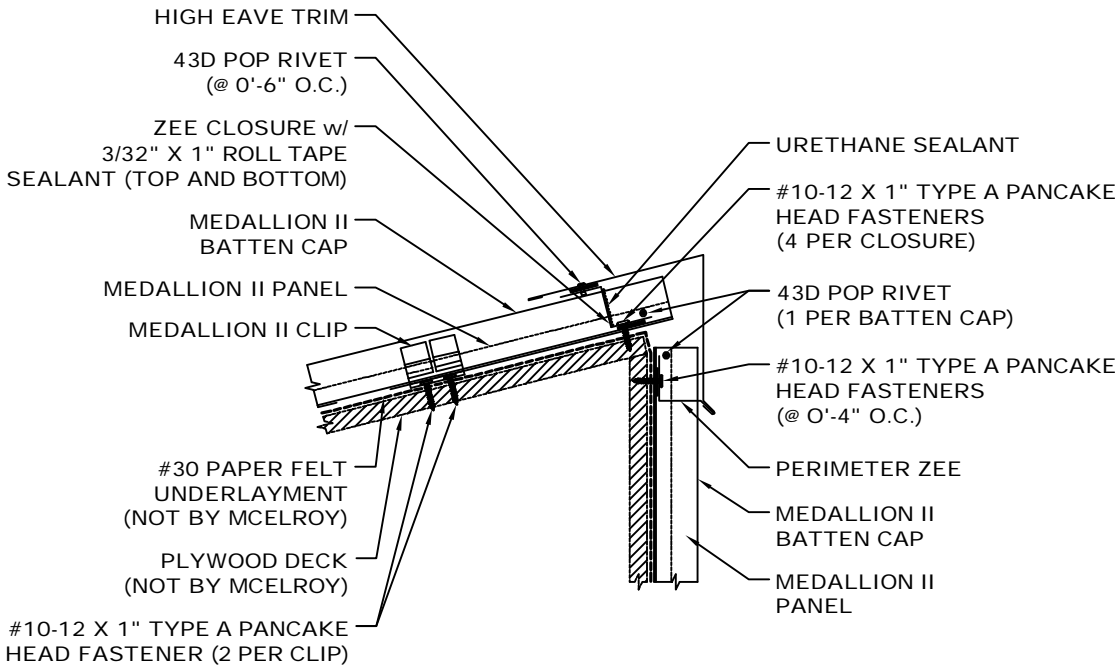




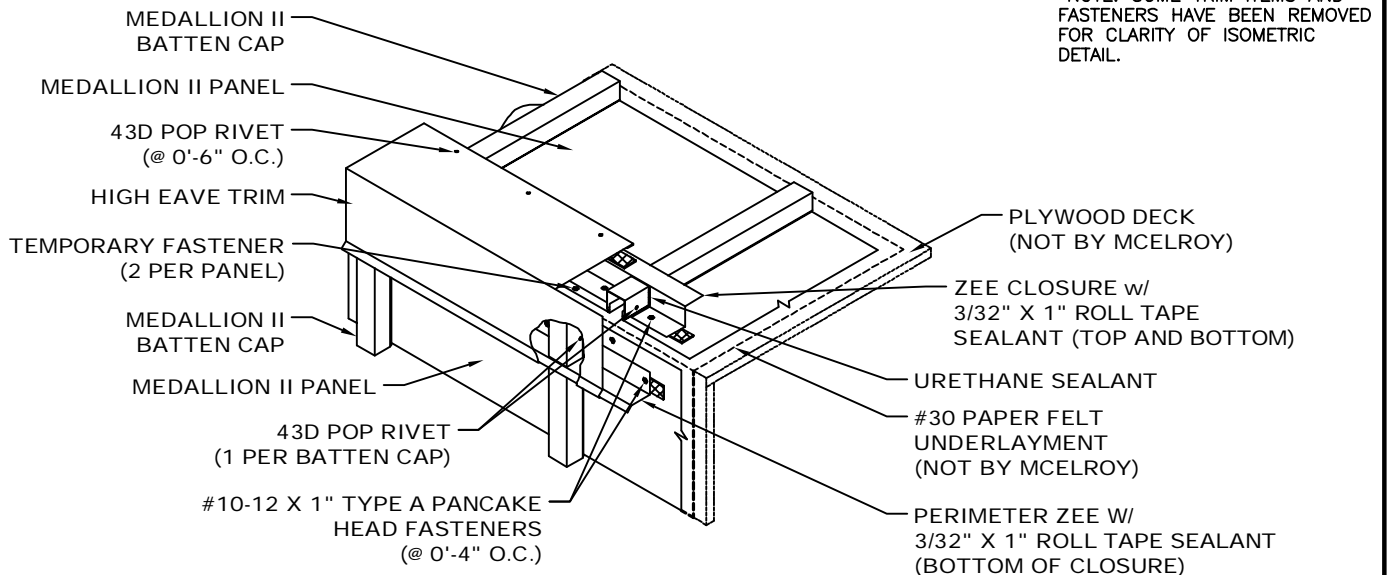
- NOTES:
1. Install Medallion II panels with clips approximately 1'-0" downhill. Attach clips with two (2) #10-12 x 1" Type A Pancake Head Fasteners.
 2. Install Batten Caps to edge of panel and secure with one (1) 43D Pop Rivet as shown.
 3. Apply a continuous run of 3/32" x 1" Roll Tape Sealant between the panel legs about 2" down from the end of the panel.
 4. Field cut and attach Zee Closure using #10-12 x 1" Type A Pancake Head Fasteners at 0'-4" O.C. through closure flange, sealant, panel and into substrate.
 5. Apply Urethane Tube Sealant to Zee Closure and Batten Cap.
 6. Apply a continuous run of 3/32" x 1" Roll Tape Sealant to the top of Zee Closure.
 7. Trim pieces lap 2". Apply 3/32" x 3/8" Butyl Tape or Butyl Tube Sealant in trim laps and Pop Rivet trims as shown on page C-22.
 8. Attach High Eave Trim to Zee Closure with 43D Pop Rivets at 0'-6" O.C.

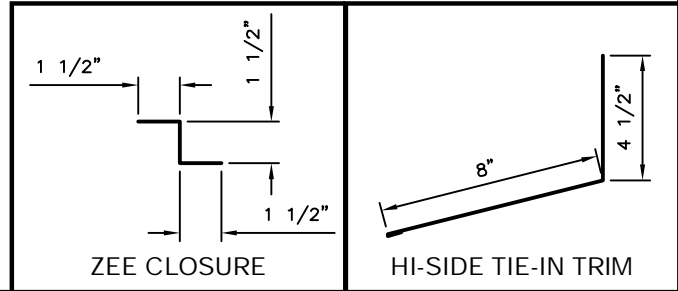
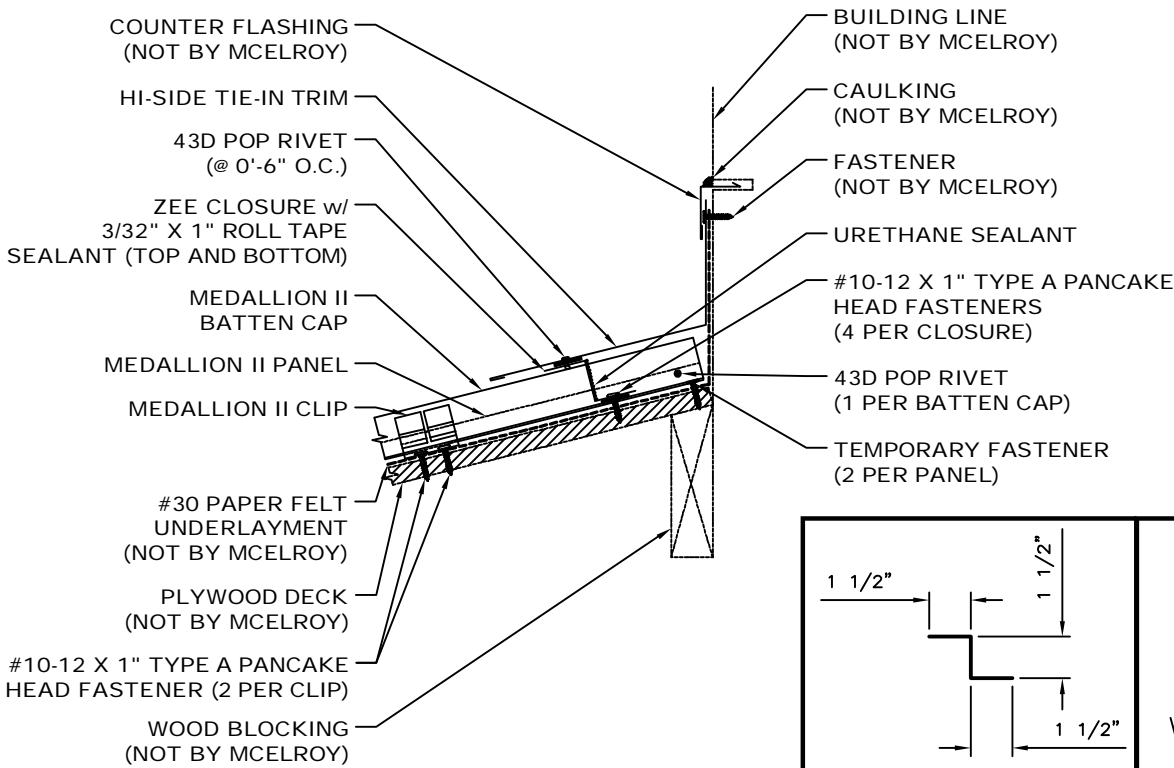


MEDALLION II HIGH EAVE TO WALL PANEL DETAIL



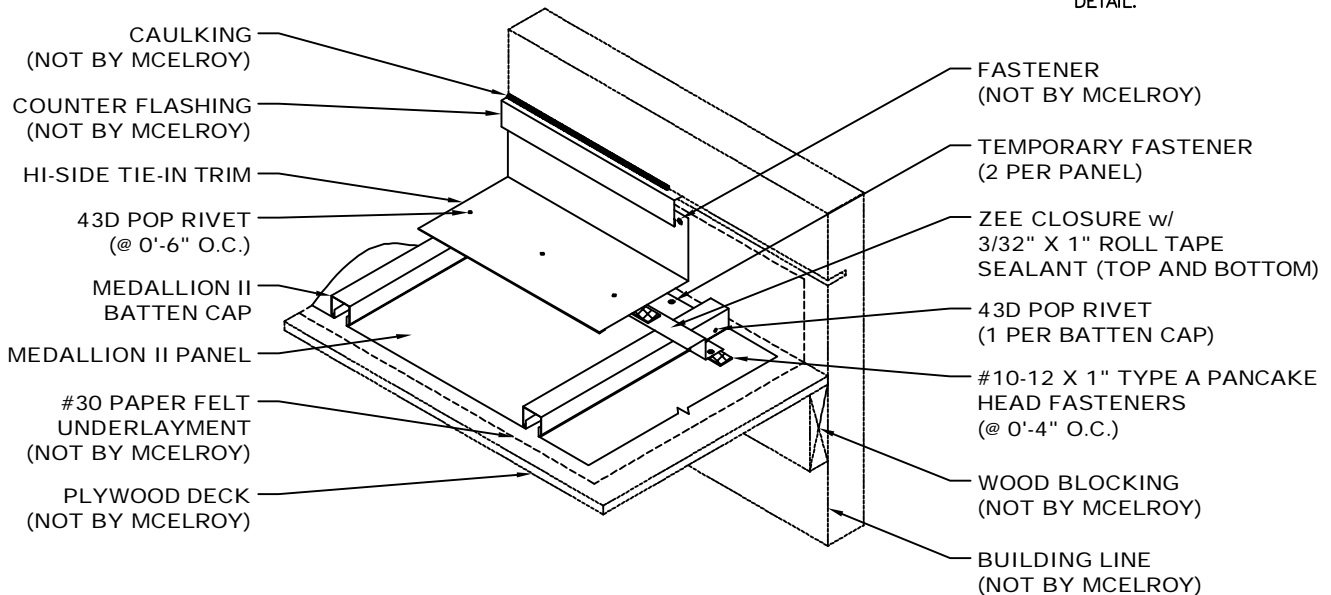
- NOTES: 1. Install Medallion II panels with clips approximately 1'-0" downhill. Attach clips with two (2) #10-12 x 1" Type A Pancake Head Fasteners.
2. Install Batten Caps to edge of panel and secure with one (1) 43D Pop Rivet as shown.
3. Apply a continuous run of 3/32" x 1" Roll Tape Sealant between the panel legs about 2" down from the end of the panel.
4. Field cut and attach Zee Closure using #10-12 x 1" Type A Pancake Head Fasteners at 0'-4" O.C. through closure flange, sealant, panel and into substrate.
5. Apply Urethane Tube Sealant to Zee Closure and Batten Cap.
6. Field cut and attach Perimeter Zee using #10-12 x 1" Type A Pancake Head Fasteners at 0'-4" O.C. through closure flange, sealant, panel and into substrate.
7. Trim pieces lap 2". Apply 3/32" x 3/8" Butyl Tape or Butyl Tube Sealant in trim laps and Pop Rivet trims as shown on page C-22.
8. Hook High Eave Trim onto Perimeter Zee and attach to Zee Closure with 43D Pop Rivets at 0'-6" O.C.





- NOTES: 1. Install Medallion II panels with clips approximately 1'-0" downhill. Attach clips with two (2) #10-12 x 1" Type A Pancake Head Fasteners.
2. Install Batten Caps to edge of panel and secure with one (1) 43D Pop Rivet as shown.
3. Apply a continuous run of 3/32" x 1" Roll Tape Sealant between the panel legs about 2" down from the end of the panel.
4. Field cut and attach Zee Closure using #10-12 x 1" Type A Pancake Head Fasteners at 0'-4" O.C. through closure flange, sealant, panel and into substrate.
5. Apply Urethane Tube Sealant to Zee Closure and Batten Cap.
6. Trim pieces lap 2". Apply 3/32" x 3/8" Butyl Tape or Butyl Tube Sealant in trim laps and Pop Rivet trims as shown on page C-22.
7. Attach Hi-Side Tie-In Trim to Zee Closure and attach with 43D Pop Rivets at 0'-6" O.C.

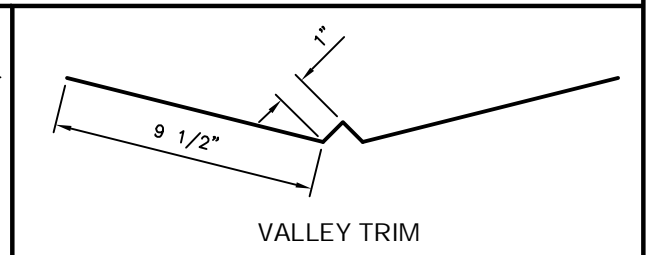
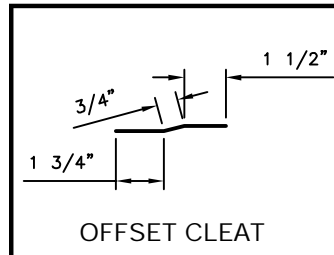
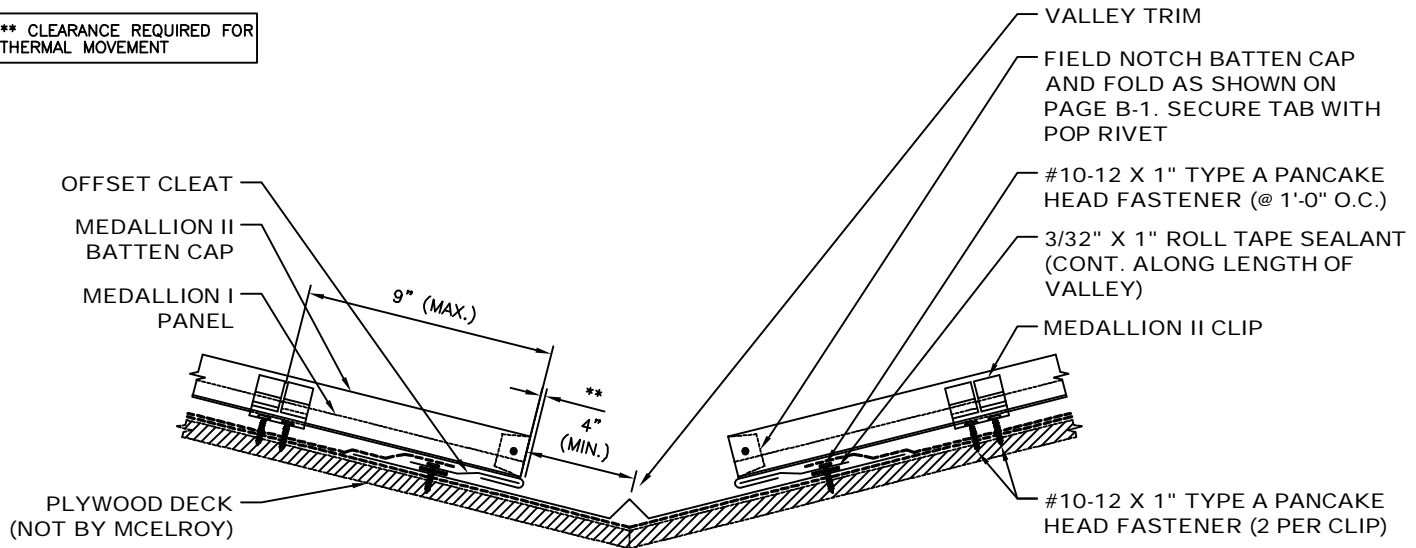
*NOTE: SOME TRIM ITEMS AND FASTENERS HAVE BEEN REMOVED FOR CLARITY OF ISOMETRIC DETAIL.



MEDALLION II

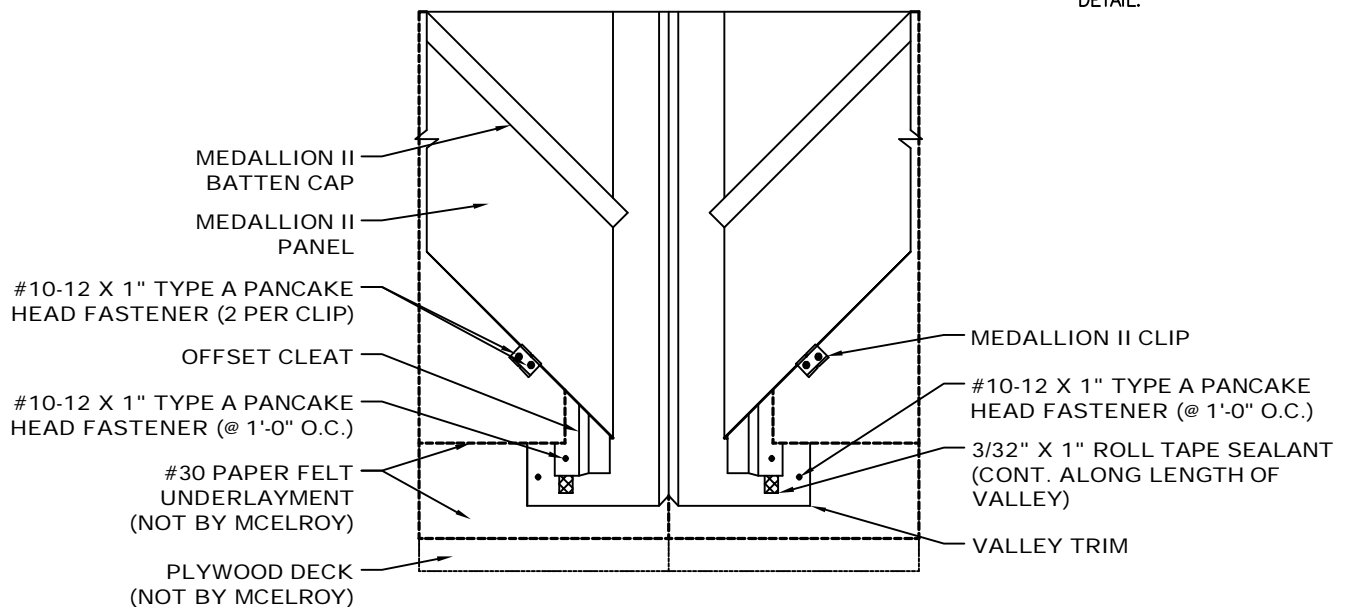
VALLEY DETAIL

** CLEARANCE REQUIRED FOR THERMAL MOVEMENT

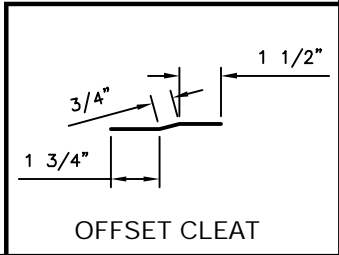
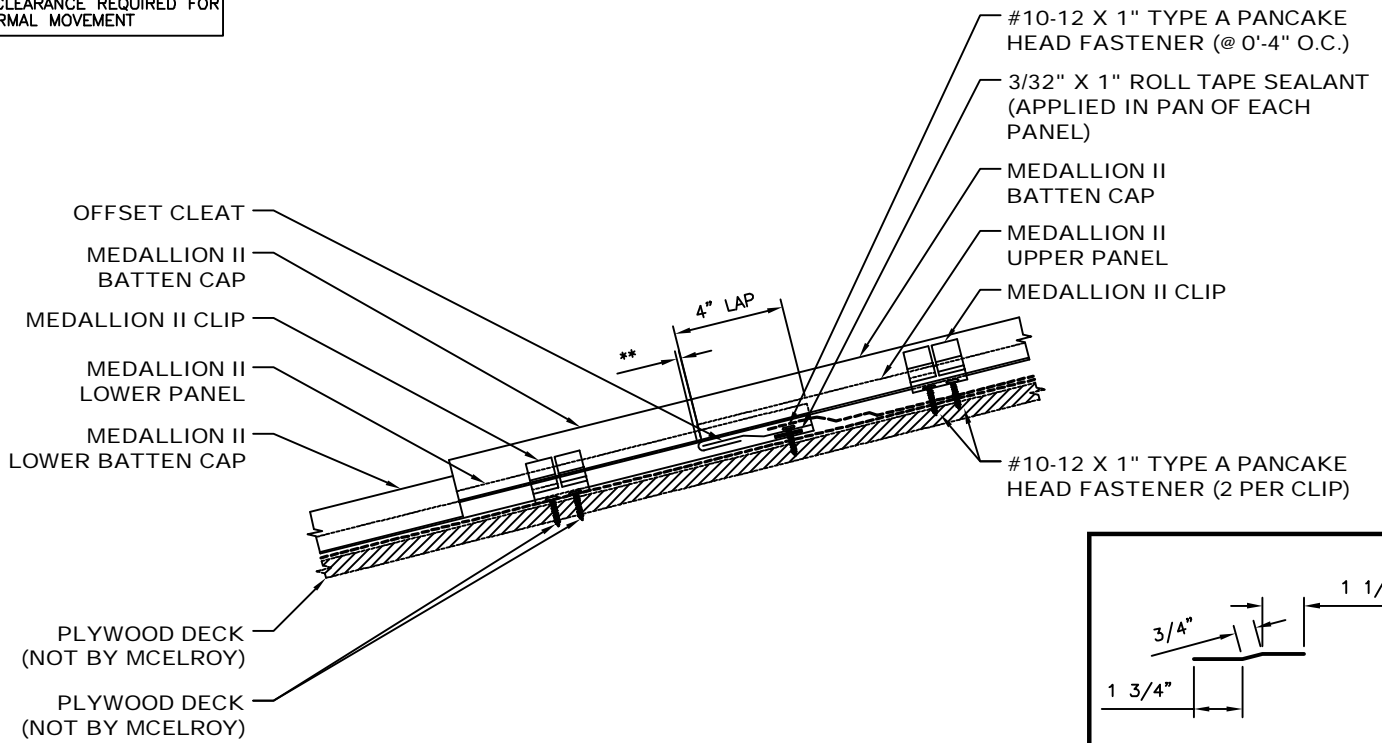


- NOTES:
1. Trim pieces lap 2". Apply 3/32" x 1" Butyl Tape Sealant in trim laps as shown on page C-23.
 2. Attach Valley Trim to decking with #10-12 x 1" Type A Pancake Head Fasteners at 5'-0" O.C.
 3. Apply a continuous run of 3/32" x 1" Roll Tape Sealant on top of Valley Trim. Make sure to tie into tag ends of the trim lap sealant. These are shown on page C-23.
 4. Install Offset Cleat as shown and attach with #10-12 x 1" Type A Pancake Head Fasteners at 1'-0" O.C.
 5. Field cut legs of Medallion II Panels 1 1/2" from end of panel like you did at the Eaves. Using a hemming tool to form an open hem with pan of panel.
 6. Install Medallion II panels by hooking open hem onto Offset Cleat. Attach clips with two (2) #10-12 x 1" Type A Pancake Head Fasteners.

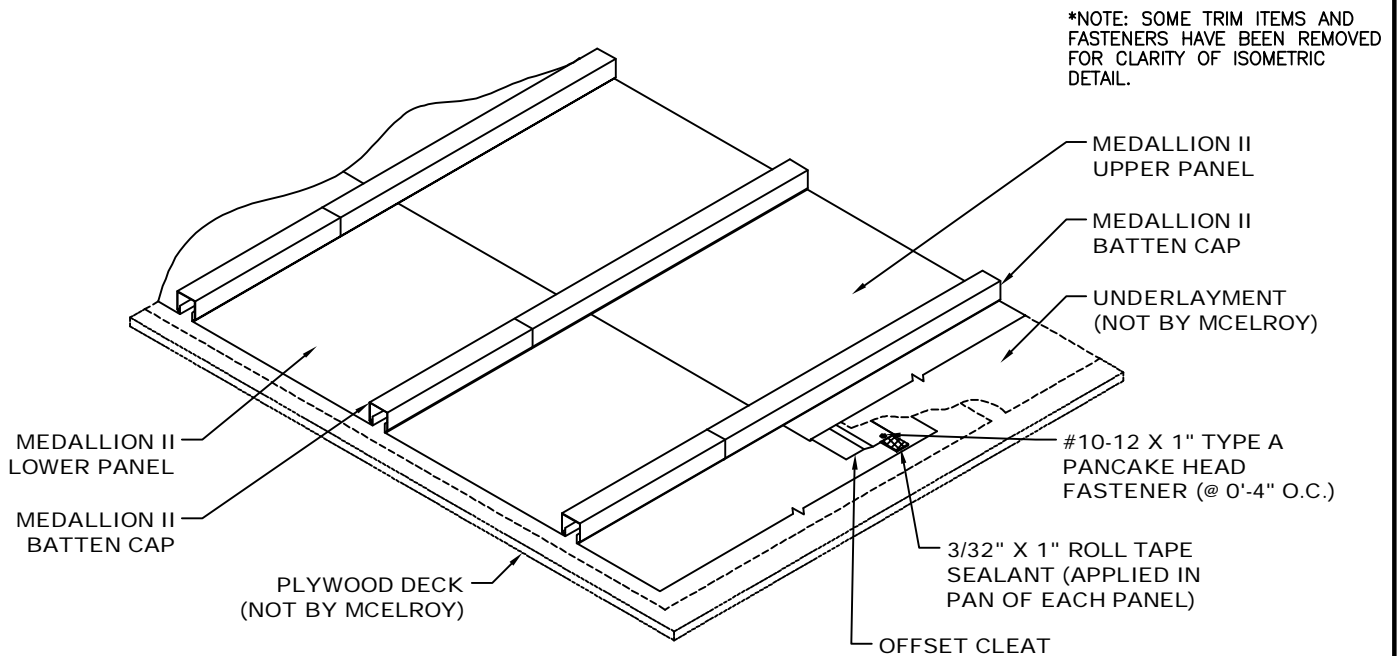
*NOTE: SOME TRIM ITEMS AND FASTENERS HAVE BEEN REMOVED FOR CLARITY OF ISOMETRIC DETAIL.

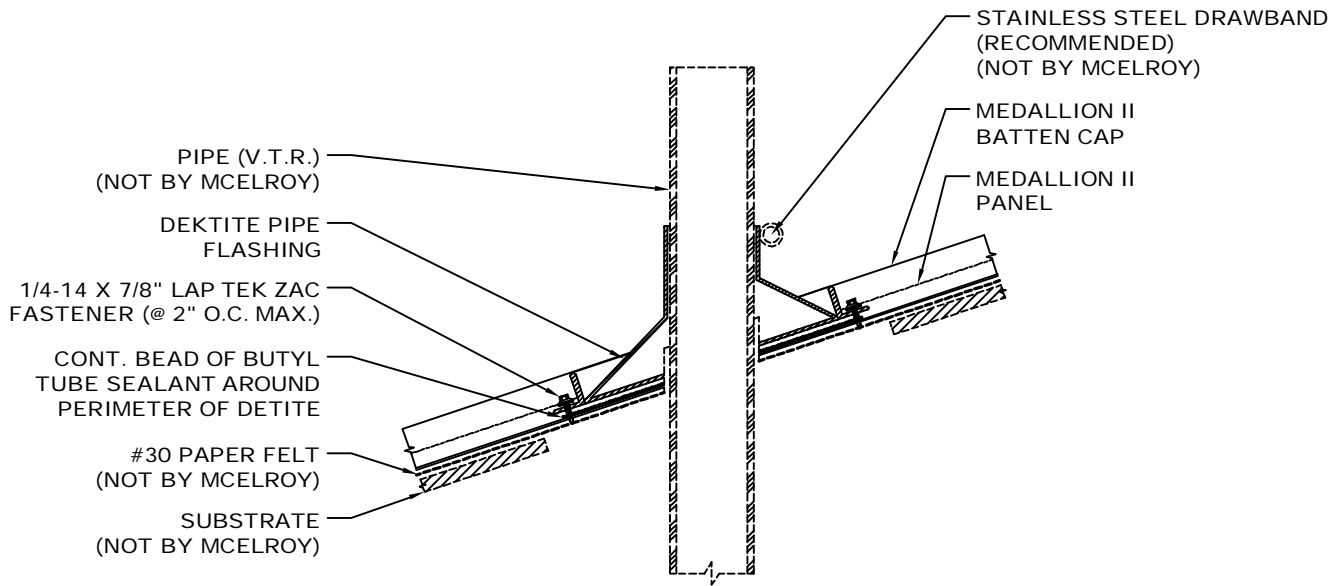


**** CLEARANCE REQUIRED FOR THERMAL MOVEMENT**

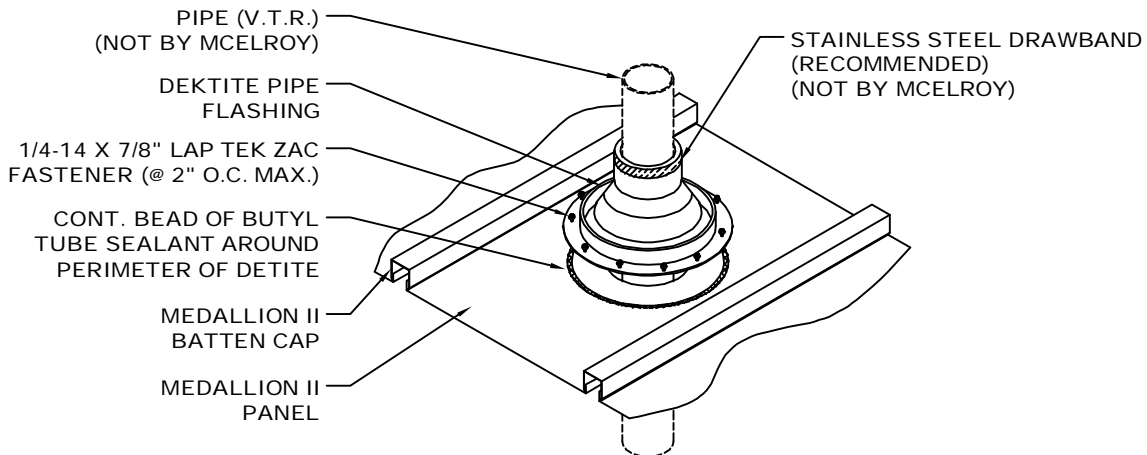


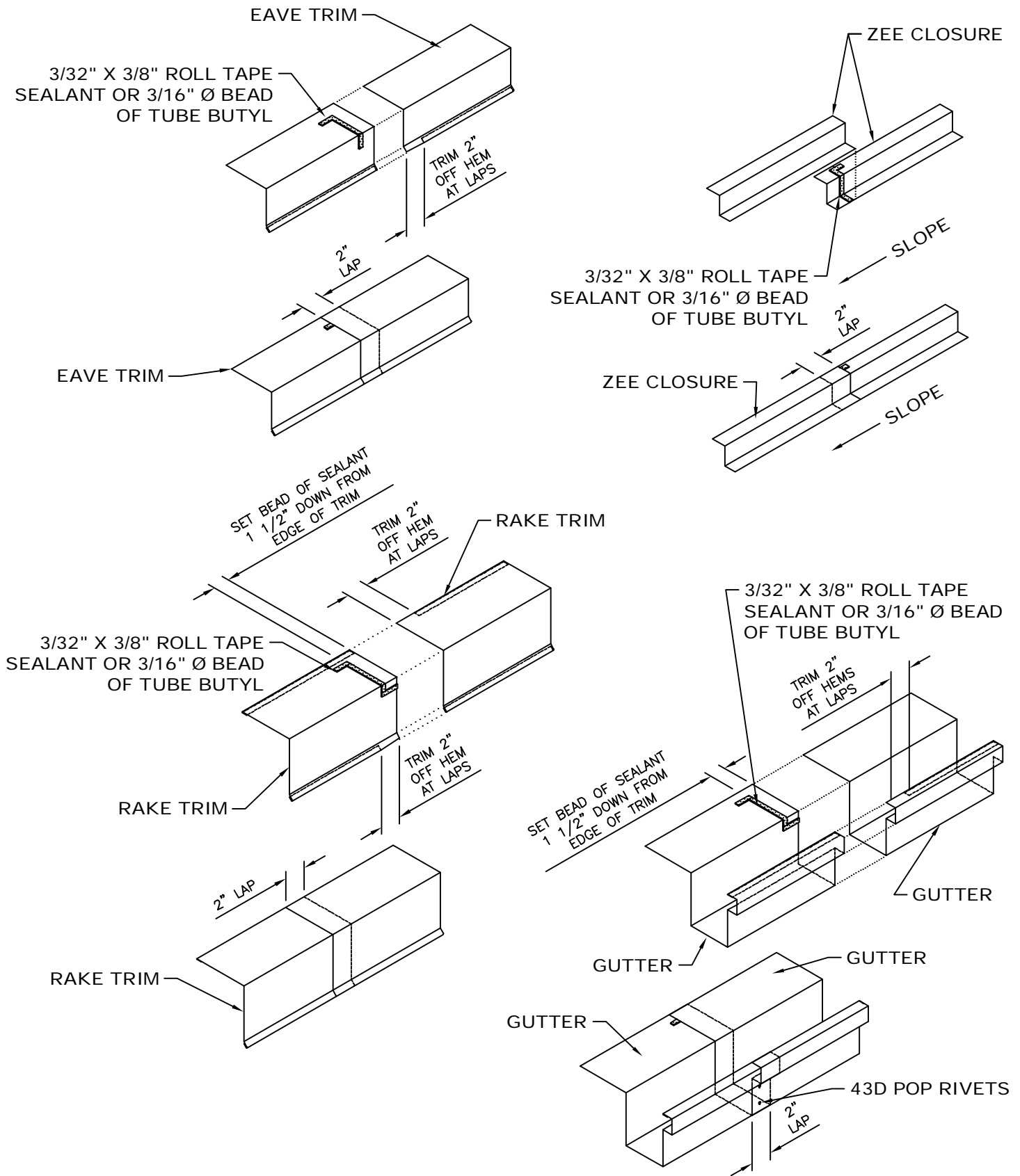
- NOTES:**
1. Attach lower Medallion II roof panel with a clip approximately 8" from the end of the panel.
 2. Apply a continuous bean of 1" Roll Tape Sealant along length of End Lap condition. Tape needs to be in pan of panels as well as up and over panel legs.
 3. Locate Offset Cleat approximately 4" from the edge of the lower Medallion II panel. Field cut to fit between panel legs.
 4. Attach Offset Cleat with #10-12 x 1" Type A Pancake Head Fasteners @ 4" O.C. making sure to fasten through the Offset Cleat, lower panel, sealant and into the decking.
 5. Field notch legs of Medallion II Panels 1 1/2" from end of upper panel like you did at the Eaves. Using a hemming tool to form an open hem with pan of panel.
 6. Install Medallion II panels by hooking open hem onto Offset Cleat. Attach clips with two (2) #10-12 x 1" Type A Pancake Head Fasteners.
 7. A Batten Cap lap should not occur at a panel lap.



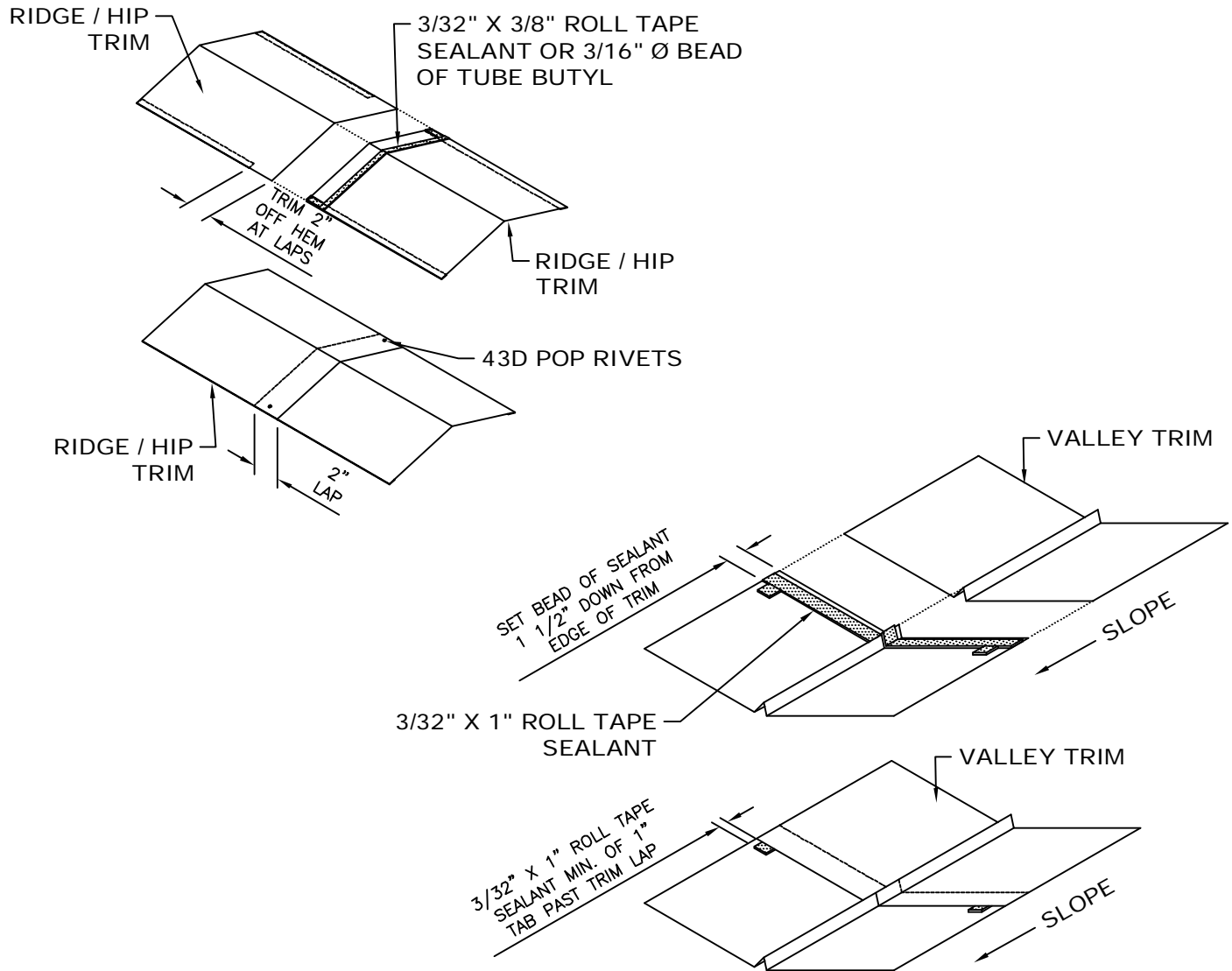


- NOTES:
1. Cut hole in panel 1" larger than pipe diameter. Over-cut hole in decking larger than the base diameter of the Dektite Pipe Flashing so fastener do not pin system from thermal movement.
 2. Cut hole in top of Dektite Pipe Flashing so that it fits snugly around pipe. Apply a 3/16" Ø bead of Tube Butyl sealant around the base flange of Dektite. Secure to panel with 1/4-14 x 7/8" Lap Tek ZAC fasteners 2" O.C.
 3. Dektite Pipe Flashing MUST fit in pan of panel. Do not fasten to standing seams.

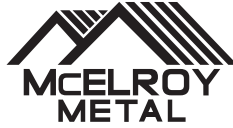




NOTE: 1. Apply specified Roll Tape Sealant or a 3/16" Ø bead of Tube Butyl 1 1/2" back from the edge of the trim. Also, apply a piece of tape sealant or bead of Tube Butyl as a Pigtail to completely seal joint.
 2. Notch the hems on the upper trim piece 2" so that the trim will fit flat in the lap joint.
 3. Secure trim laps with Pop Rivets as shown above.



NOTE: 1. Apply specified Roll Tape Sealant or a 3/16" Ø bead of Tube Butyl 1 1/2" back from the edge of the trim. Also, apply a piece of tape sealant or bead of Tube Butyl as a Pigtail to completely seal joint.
 2. Notch the hems on the upper trim piece 2" so that the trim will fit flat in the lap joint.
 3. Secure trim laps with Pop Rivets as shown above.



☆ MANUFACTURING LOCATIONS ● SERVICE CENTERS ★ MANUFACTURING AND SERVICE CENTER



CORPORATE OFFICE
1500 HAMILTON RD.
BOSSIER CITY, LA 71111

MANUFACTURING LOCATIONS

- | | | | | |
|--------------|--------------------|------------------|----------------|-------------|
| ADELANTO, CA | ASHBURN, GA | BOSSIER CITY, LA | CLINTON, IL | DIAMOND, MO |
| HOUSTON, TX | LEWISPORT, KY | MARSHALL, MI | MAUSTON, WI | MERKEL, TX |
| | PEACHTREE CITY, GA | SUNNYVALE, TX | WINCHESTER, VA | |

MCELROY METAL
SERVICE
CENTER

- | | | | |
|---------------------------------------------------|---------------------------------------------|------------------------------------------------------|------------------------------------------------|
| 17031 Koala Road
Adelanto, CA 92301 | 5215 Leo St.
Alexandria, LA 71301 | 1007 Wilso Dr,
Baltimore, MD 21223 | 1500 Hamilton Rd.
Bossier City, LA 71111 |
| 3052 Yadkin Road
Chesapeake, VA 23323 | 9476 Meadowbrook Rd.
Clinton, IL 61727 | 3215 Highway 59
Diamond, MO 64840 | 390 N. Valley Dell Dr.
Fenton, MO 63026 |
| 409 Lovejoy Road
Ft. Walton Beach, FL 32548 | 3014 Lincoln Court
Garland, TX 75041 | 1440 Aldine Bender Road
Houston, TX 77032 | 10504 E. 59th Street
Indianapolis, IN 46236 |
| 9435 US Hwy. 60 W.
Lewisport, KY 42351 | 1020 Veterans Street
Mauston, WI 53948 | 5123 Terminal Dr.
McFarland, WI 53558 | 514 Cave Road
Nashville, TN 37210 |
| 8304 Hwy. 70 E.
North Little Rock, AR 72117 | 613 North Bierdeman Rd.
Pearl, MS 39208 | 8511 Industrial Drive
Pearland, TX 77584 | 7450 Tower Street
Richland Hills, TX 76118 |
| 8200 Berry Ave. Suite 100
Sacramento, CA 95828 | 1365 Dean Forest Rd.
Savannah, GA 31405 | 7355 Oakley Industrial Blvd.
Union City, GA 30291 | |
| | 1144 Silstar Rd.
West Columbia, SC 29170 | 325 McGhee Rd.
Winchester, VA 22603 | |

Website: www.mcelroymetal.com • E-mail: info@mcelroymetal.com