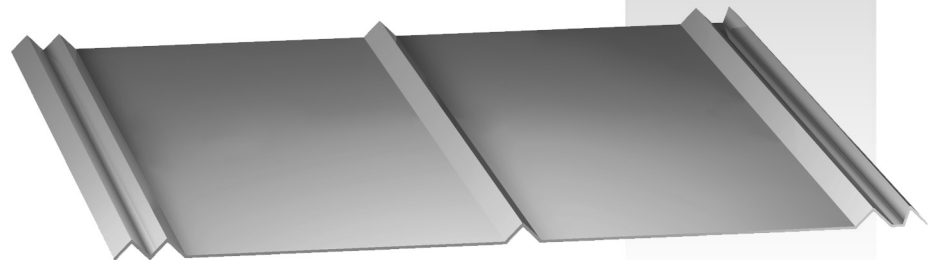


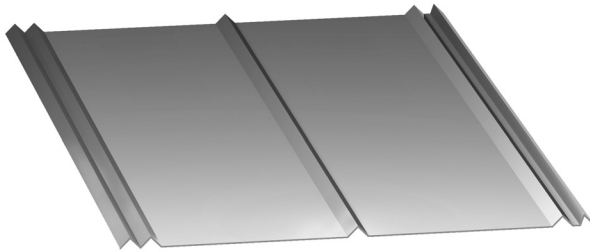
5V PANEL



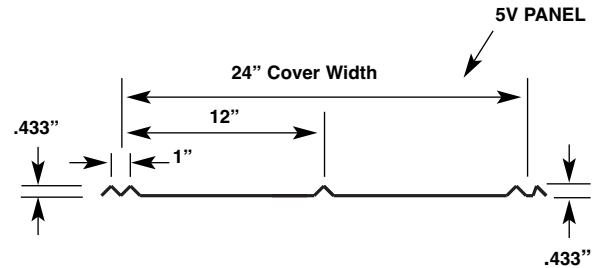
Panel/Trim/Accessories



5V



5V



5V Load Tables and Section Properties

For any available Test Data, Section Properties or Load Tables, please visit www.mcelroymetal.com. For additional information, please contact the **McElroy Engineering Department at 1-800-950-9082**.

Details:

- Minimum slope: 3:12 (with sealant)
- 5V must be installed over solid decking

- 5V is produced in Ashburn, GA

Panel Options:

- Coating:
 - Kynar 500® (PVDF)

- Substrate:
 - Standard 26 GA Galvalume®

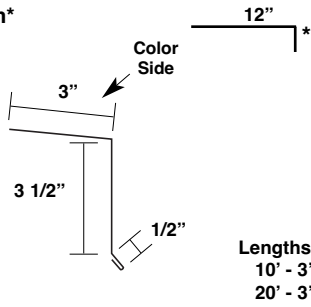
Notes:

- Oil canning is inherent in all metal panels and is not cause for panel rejection.
- Please contact a McElroy representative for specific pricing, lead times, special colors or gauges that may not be on a McElroy Metal color chart.
- Contents in this manual are subject to change without notice. To confirm this book is the most current copy, please visit McElroy's website at www.mcelroymetal.com.

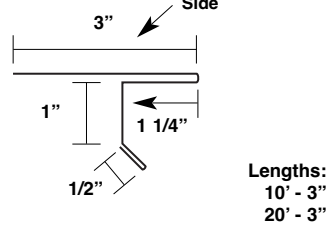
TRIM

26 GA

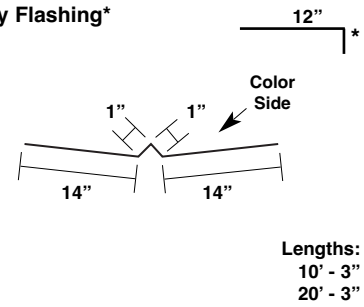
Eave Trim*
R-EF



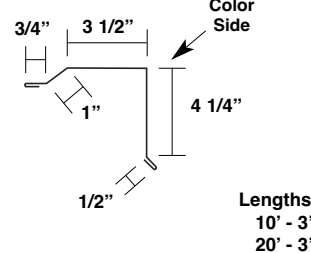
D-Edge/Rake Trim
(For Use at Rake Only)
R-DE



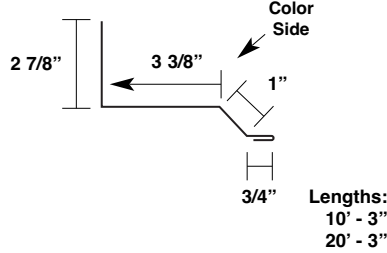
Valley Flashing*
R-VF



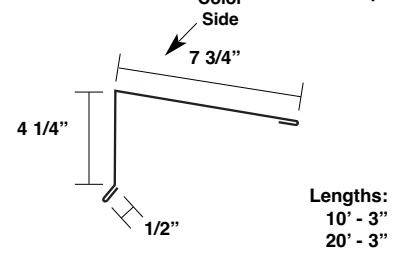
Rake Trim
R-RT



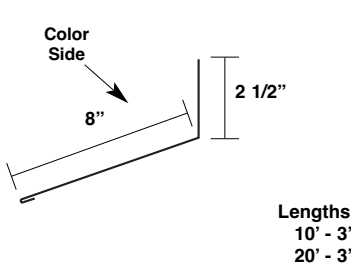
Rake Tie-In Trim
R-EW



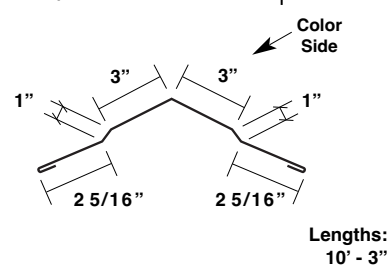
High Side Trim
R-HS



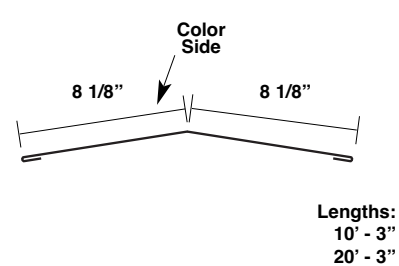
High Side Tie-In*
R-SW



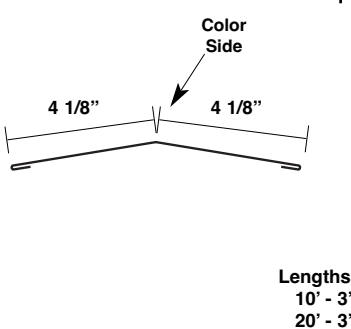
Ridge Cap*
(RRC13)



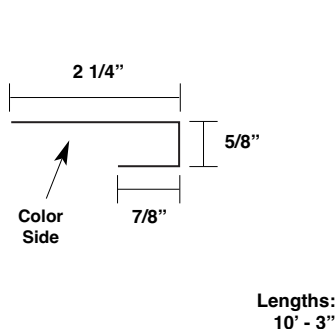
Ridge Flashing*
R-RF



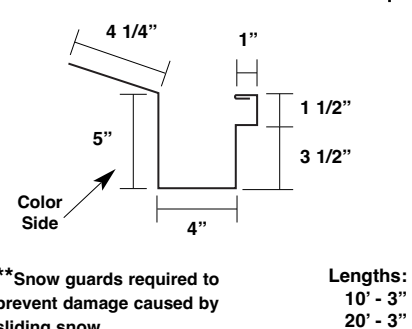
Hip Flashing*
R-HF



Panel Cap
R5PC

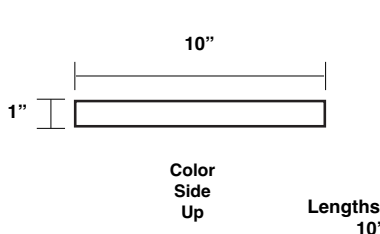


Gutter Trim*
R-GT

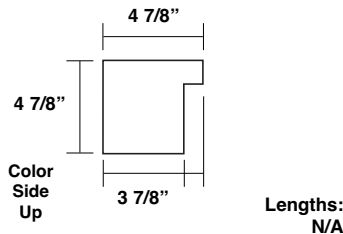


**Snow guards required to prevent damage caused by sliding snow.

Gutter Strap
RES-GS



Gutter End Cap
R-GEC



TRIM

26 GA

<p>Downspout BBPPS</p> <p>Lengths: 14'-3"</p>	<p>Aluminum Downspout Outlet Box BBPOUT</p> <p>Lengths: N/A</p>	<p>Downspout Strap BBPDSS</p> <p>Lengths: 10"</p>
<p>Lengths: 14'-3"</p>	<p>3" x 4" Downspout Elbow A-Style BBPELA</p> <p>Lengths: N/A</p>	

ACCESSORIES

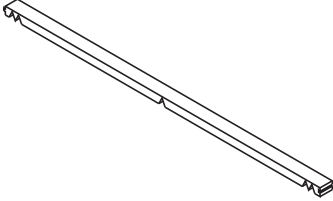
<p>#10 - 15 Type A Woodgrip Mac (Part # varies by color)</p> <p>Lengths: 1"</p>	<p>#10 - 15 Woodgrip HILO ZAC (Part # varies by color)</p>	<p>1/4 - 14 x 7/8" LAPTEK w/ Washer (Part # varies by color)</p>
<p>1/4 - 14 x 7/8" LAPTEK ZAC Self Driller (Part # varies by color)</p>	<p>43D Pop Rivet (Part # varies by color)</p>	<p>Touch-Up Paint - Pen (Part # varies by color)</p>
<p>Roll Tape Sealant 3/8" x 3/32" x 45' Item #: 95340</p>	<p>Titebond Caulk Sealant (Part # varies by color)</p>	<p>Sikalastomer Butyl Sealant Item #: 95342</p>

5V

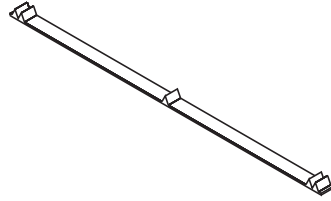
ACCESSORIES

CONTINUED

5V Outside Closure
Item #: 95033



5V Inside Closure
Item #: 95034



5V

NOTES



☆ MANUFACTURING LOCATIONS ● SERVICE CENTERS ★ MANUFACTURING AND SERVICE CENTER



CORPORATE OFFICE
1500 HAMILTON RD.
BOSSIER CITY, LA 71111

MANUFACTURING LOCATIONS

- | | | | | |
|--------------|--------------------|------------------|----------------|-------------|
| ADELANTO, CA | ASHBURN, GA | BOSSIER CITY, LA | CLINTON, IL | DIAMOND, MO |
| HOUSTON, TX | LEWISPORT, KY | MARSHALL, MI | MAUSTON, WI | MERKEL, TX |
| | PEACHTREE CITY, GA | SUNNYVALE, TX | WINCHESTER, VA | |

MCELROY METAL
SERVICE
CENTER

- | | | | |
|------------------------------------------------|------------------------------------------------------|-----------------------------------------------|---------------------------------------------------|
| 17031 Koala Road
Adelanto, CA 92301 | 5215 Leo St.
Alexandria, LA 71301 | 1007 Wilso Dr,
Baltimore, MD 21223 | 1500 Hamilton Rd.
Bossier City, LA 71111 |
| 3052 Yadkin Road
Chesapeake, VA 23323 | 9476 Meadowbrook Rd.
Clinton, IL 61727 | 3215 Highway 59
Diamond, MO 64840 | 390 N. Valley Dell Dr.
Fenton, MO 63026 |
| 409 Lovejoy Road
Ft. Walton Beach, FL 32548 | 3014 Lincoln Court
Garland, TX 75041 | 1440 Aldine Bender Road
Houston, TX 77032 | 10504 E. 59th Street
Indianapolis, IN 46236 |
| 9435 US Hwy. 60 W.
Lewisport, KY 42351 | 1020 Veterans Street
Mauston, WI 53948 | 5123 Terminal Dr.
McFarland, WI 53558 | 514 Cave Road
Nashville, TN 37210 |
| 8304 Hwy. 70 E.
North Little Rock, AR 72117 | 613 North Bierdeman Rd.
Pearl, MS 39208 | 7450 Tower Street
Richland Hills, TX 76118 | 8200 Berry Ave. Suite 100
Sacramento, CA 95828 |
| 1365 Dean Forest Rd.
Savannah, GA 31405 | 7355 Oakley Industrial Blvd.
Union City, GA 30291 | 1144 Silstar Rd.
West Columbia, SC 29170 | 325 McGhee Rd.
Winchester, VA 22603 |

Website: www.mcelroymetal.com • E-mail: info@mcelroymetal.com