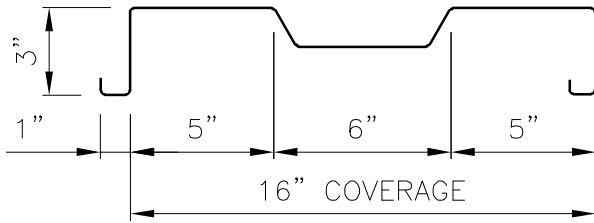
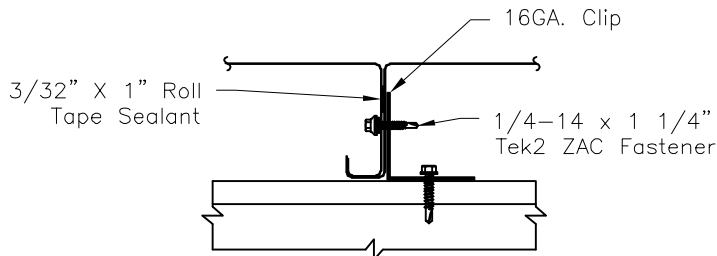


MSR Panel

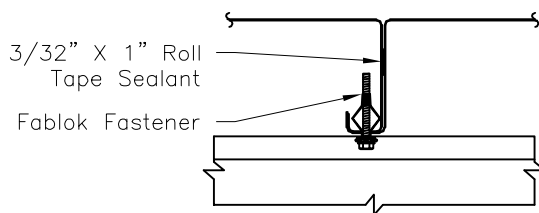
Product Data



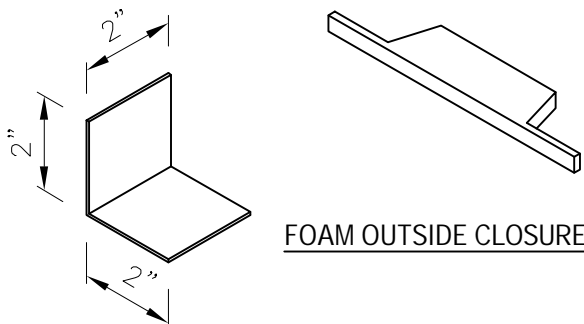
MSR PROFILE



MSR SEAM
(w/ 16 GA. Clip Attachment)



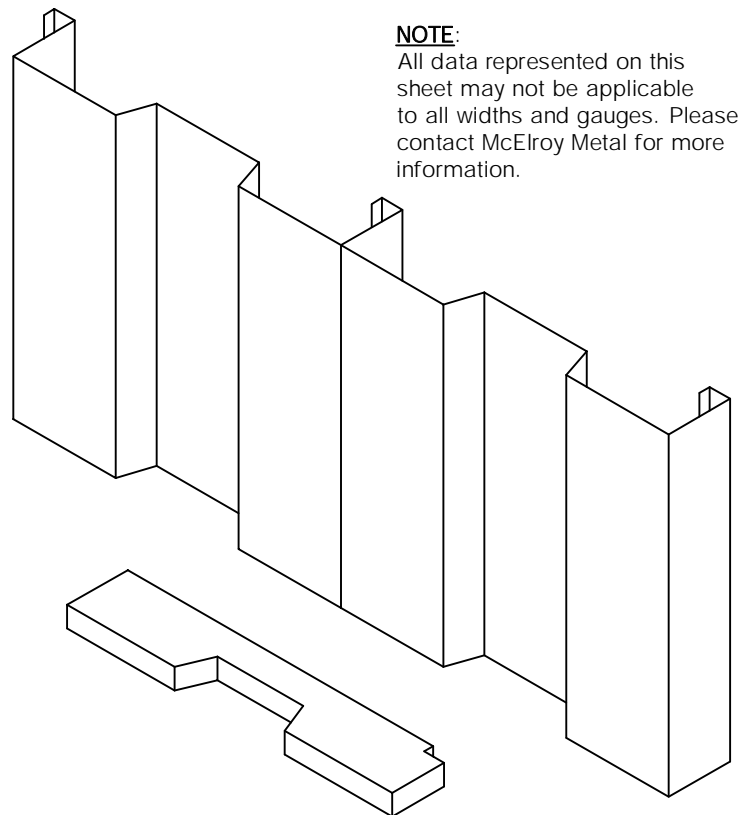
MSR SEAM
(w/ Fablok Fastener Attachment)



CLIP

16 GA. Galvanized G90 - ASTM A653 (55 ksi)

FOAM OUTSIDE CLOSURE



FOAM INSIDE CLOSURE

Applications

Concealed fastener wall panel. Minimum length of 4'-0". Maximum length of 50'-0".

Substrates

Plywood, Hat Section, Mac-Girts, or Wall Girts.

Material

Standard - 24 GA. ASTM A792 (50 ksi steel) AZ55 - Bare
AZ50 - Painted
Optional - 22 GA. ASTM A792 (50 ksi steel) AZ55 - Bare
AZ50 - Painted

Manufacturing

Roll formed in factory. (Sunnyvale Plant Only)

Finishes

Acrylic Coated Galvalume®
Fluoropolymer (Kynar 500® PVDF resin-based)

Pan Conditions

16" Ribbed
Oil canning is inherent in all metal panels and is not cause for panel rejection.

Testing *

Air & Water Infiltration: ASTM E283 & E331
Acoustical Performance: ASTM E90
Testing and Approval are product specific. Please inquire for details.

NOTE:

All data represented on this sheet may not be applicable to all widths and gauges. Please contact McElroy Metal for more information.