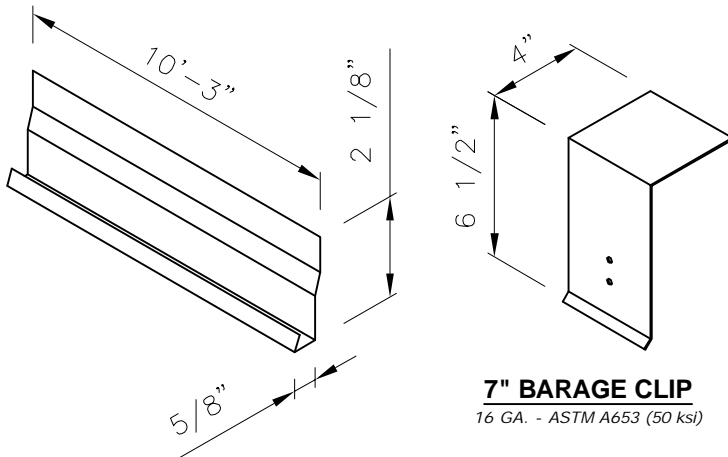
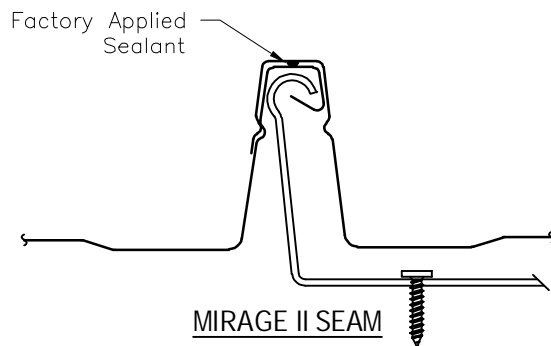
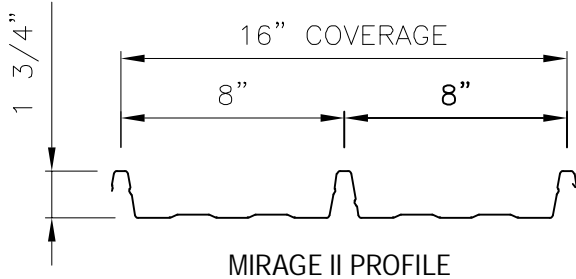
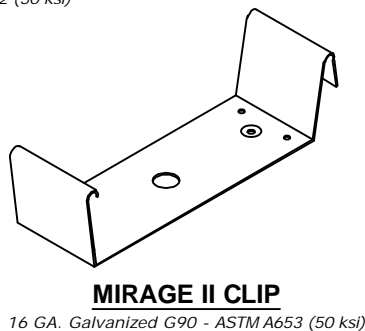


## Mirage II Panel

## Product Data



**BARAGE CLEAT**  
24 GA. - ASTM A792 (50 ksi)



### Applications

Snap Seamed roof panel used on slopes down to 1/4:12. (Factory applied sealant is required on seam "side laps" at less than 3:12 slope.) Continuous lengths up to 40'. Please inquire for longer lengths.

### Substrates

Plywood, Metal Deck, Rigid Insulation/Metal Deck or Open Framing.

### Material

Standard - 24 GA. ASTM A792 (50 ksi steel) AZ55 - Bare  
AZ50 - Painted

### Manufacturing

Roll formed in factory.

### Finishes

Acrylic Coated Galvalume®  
Fluoropolymer (Kynar 500® PVDF resin-based)

### Pan Conditions

Ribbed  
Oil canning is inherent in all metal panels and is not cause for panel rejection.

### Testing \*

Uplift: UL 580 Class 90  
ASTM E1592

Air & Water Infiltration: ASTM E1680, and ASTM E1646.

Fire Resistance: UL 263 & UL 790 Class A

Impact Testing: UL2218 Class 4

Florida Product Approval: FL 13647.1

\*Testing and Approvals are product specific. Please inquire for details.\*

### NOTE:

All data represented on this sheet may not be applicable to all widths and gauges. Please contact McElroy Metal for more information.

