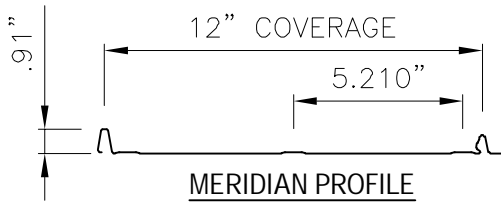
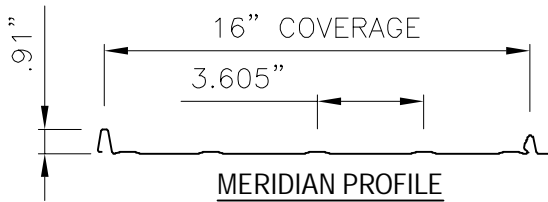


Meridian Panel

Product Data



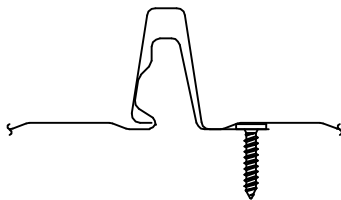
MERIDIAN PROFILE
(Striated or Minor Ribs)
(Minor Ribs Shown)



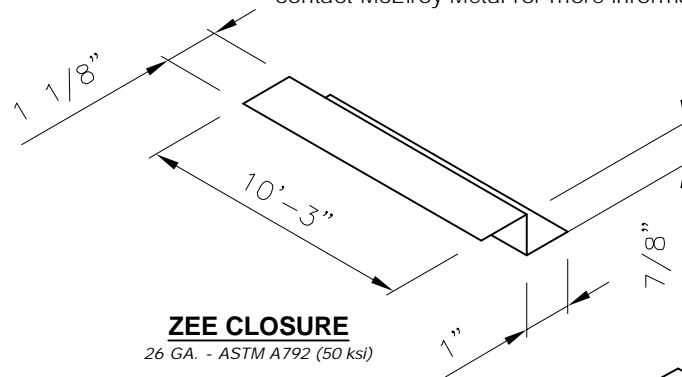
MERIDIAN PROFILE
(Striated or Minor Ribs)
(Minor Ribs Shown)



MERIDIAN PROFILE
(Striated or Minor Ribs)
(Striated Shown)



MERIDIAN SEAM



ZEE CLOSURE

26 GA. - ASTM A792 (50 ksi)



FOAM SEAM PLUG

Applications

Snap Seamed roof panel used on slopes down to 3:12. Standard panel lengths up to 45'. Please inquire for longer lengths.

Substrates

Plywood or Rigid Insulation/Metal Deck.

Material

Standard - 24 GA. or 26 GA. ASTM A792 (50 ksi steel)
AZ55 - Bare, AZ50 - Painted

Manufacturing

Roll formed in factory.

Finishes

Acrylic Coated Galvalume®
Fluoropolymer (Kynar 500® PVDF resin-based)

Pan Conditions

16" Minor Rib or Striated - 24 or 26 ga.
12" Minor Rib or Striated - 24 ga. only
Oil canning is inherent in all metal panels and is not cause for panel rejection. A signed oil canning acknowledgement will be required for all orders prior to production.

Testing *

Uplift: UL 580 Class 90
Air & Water Infiltration: ASTM E1680, and ASTM E1646.
Fire Resistance: UL 790 Class A
Impact Testing: UL2218 Class 4
Florida Product Approval: FL 2358.1
Texas Windstorm: RC-34
Testing and Approvals are product specific. Please inquire for details.

NOTE:

All data represented on this sheet may not be applicable to all widths and gauges. Please contact McElroy Metal for more information.