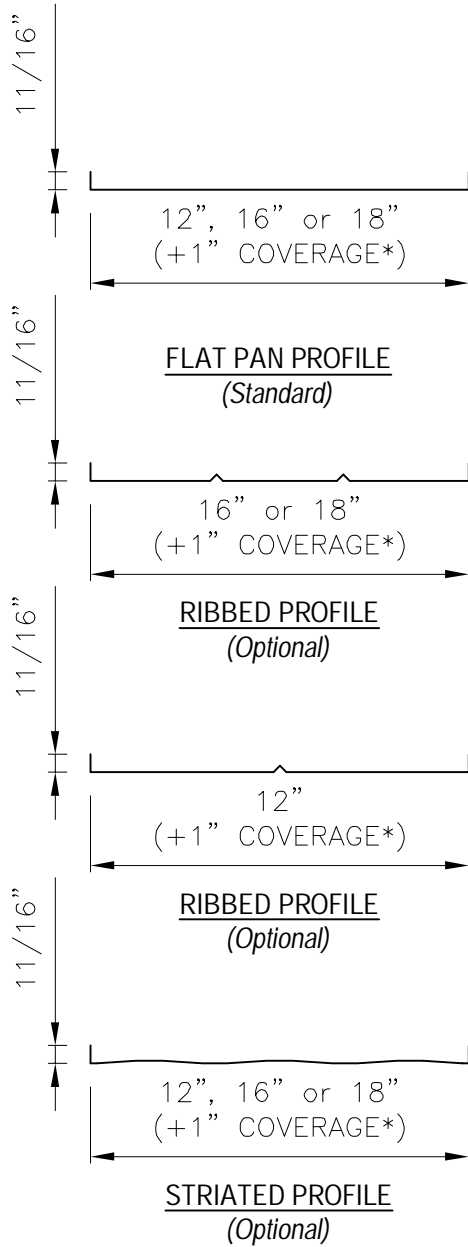


Medallion I and Medallion II Panels

Product Data



Applications

Concealed fastener and Batten Cap roof panel used on slopes down to 3:12. Continuous length up to 75'. Convex curving only - 30" minimum radius.

Substrates

Plywood, Metal Deck or Rigid Insulation/Metal Deck.

Material

Standard - 24 GA. ASTM A792 (50 ksi steel)

Manufacturing

Roll formed in factory.

Finishes

Acrylic Coated Galvalume®
Fluoropolymer (Kynar 500® PVDF resin-based)

Pan Conditions

Striated, Pencil Rib, or Flat
Oil canning is inherent in all metal panels and is not cause for panel rejection. A signed oil canning acknowledgement will be required for all orders prior to production.

Testing *

Uplift: UL 580 Class 90
Air & Water Infiltration: ASTM E1680, ASTM E1646.
Fire Resistance: UL 263 & UL 790 Class A
Impact Resistance: UL 2218 Class 4
Florida Product Approval: (Medallion I) FL 1832.5 (non-structural)
(Medallion II) FL 1832.6 (non-structural)

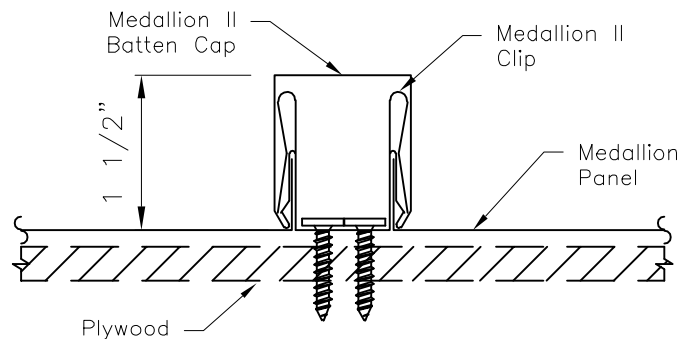
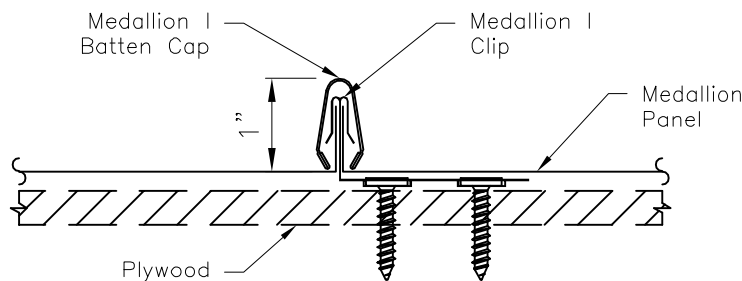
Testing and Approvals are product specific. Please inquire for details.

NOTE:

All data represented on this sheet may not be applicable to all widths and gauges. Please contact McElroy Metal for more information.

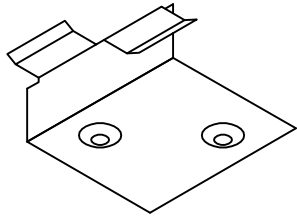
*NOTE:

+1" coverage to the Medallion II panel due to width of panel clip.

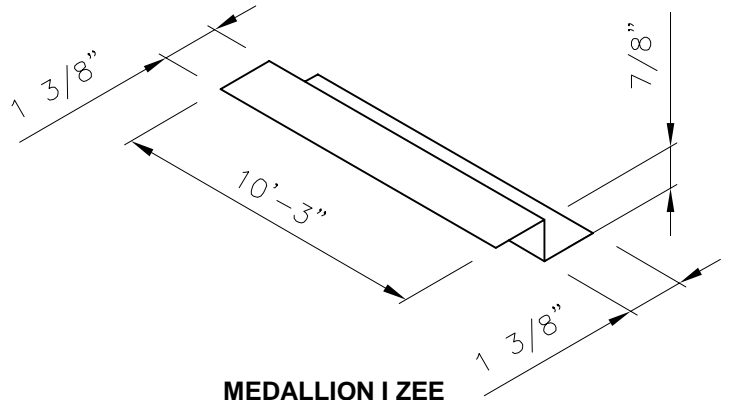


Medallion I and Medallion II Panels (Continued)

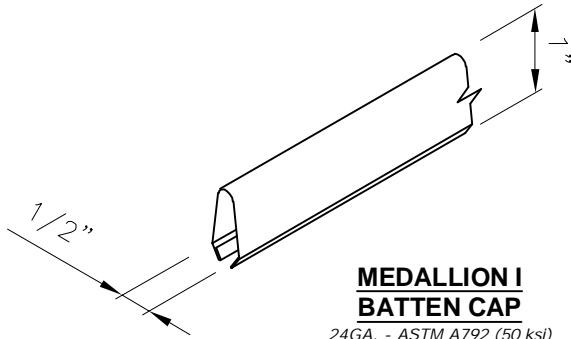
Product Data



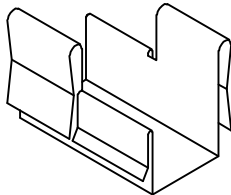
MEDALLION I CLIP
26 GA. - ASTM A792 (50 ksi)



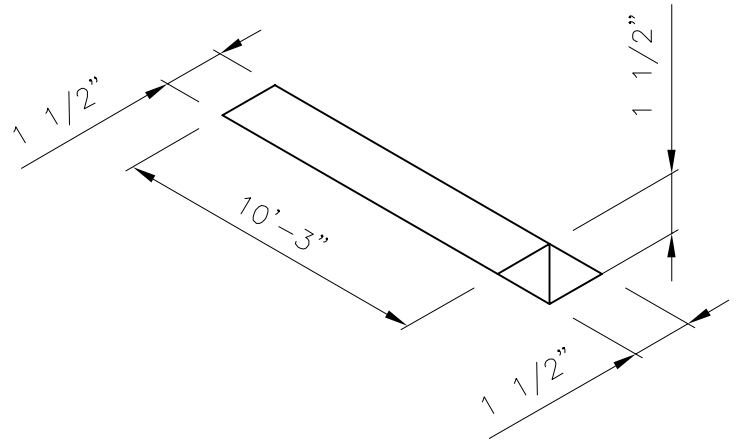
MEDALLION I ZEE CLOSURE
26 GA. - ASTM A792 (50 ksi)



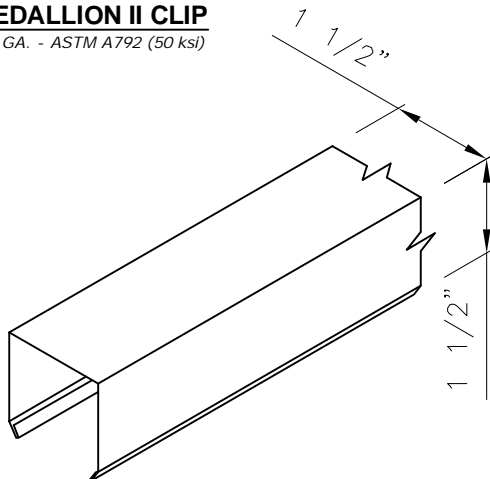
MEDALLION I BATTEN CAP
24GA. - ASTM A792 (50 ksi)



MEDALLION II CLIP
26 GA. - ASTM A792 (50 ksi)



MEDALLION II ZEE CLOSURE
26 GA. - ASTM A792 (50 ksi)



MEDALLION II BATTEN CAP
24GA. - ASTM A792 (50 ksi)