



**MULTI-RIB**

**R-PANEL**

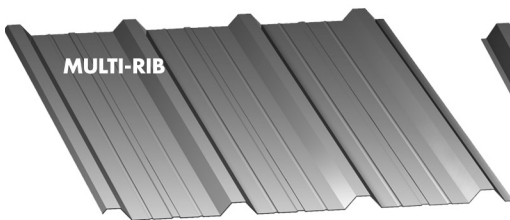
**MULTI-COR**

**M-COR**

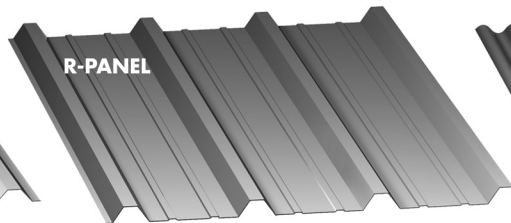
**U-PANEL**

**MULTI-V**

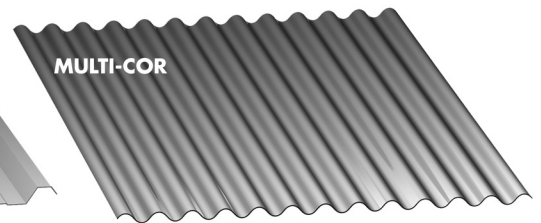
**MINI-RIB**



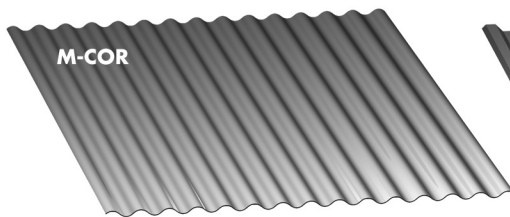
**MULTI-RIB**



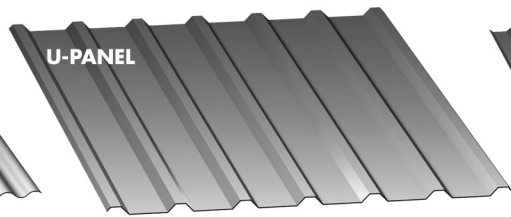
**R-PANEL**



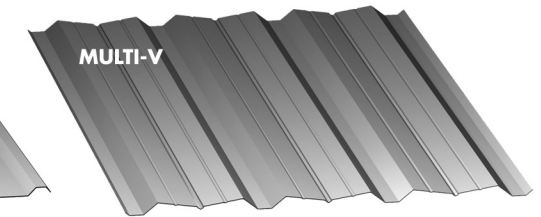
**MULTI-COR**



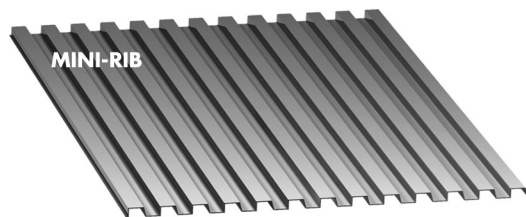
**M-COR**



**U-PANEL**



**MULTI-V**

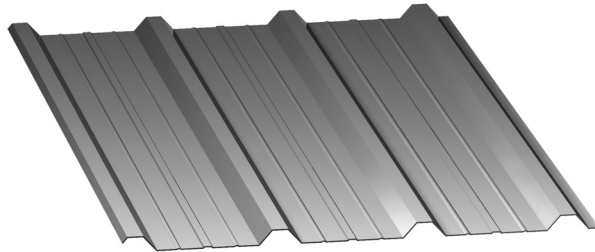


**MINI-RIB**

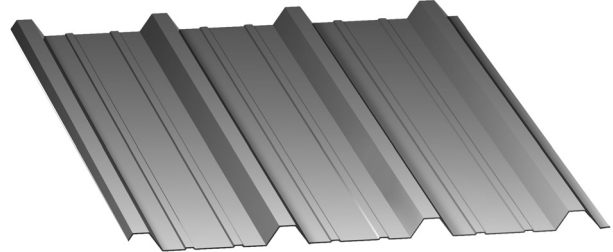
## Panel / Trim / Accessories



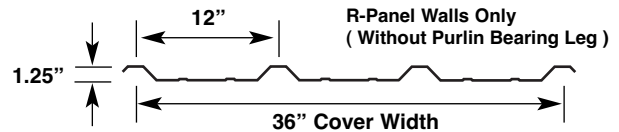
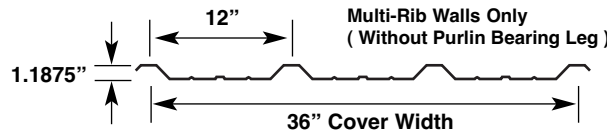
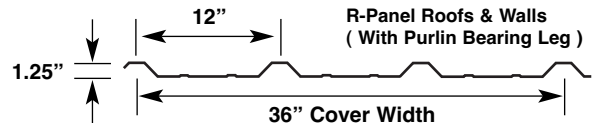
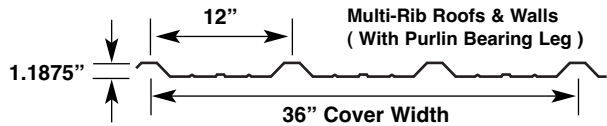
# MULTI-RIB/R-PANEL



**Multi-Rib**



**R-Panel**



## Multi-Rib and R-Panel Load Tables and Section Properties

For any available Test Data, Section Properties or Load Tables, please visit [www.mcelroymetal.com](http://www.mcelroymetal.com). For additional information, please contact the **McElroy Engineering Department** at 1-800-950-9082.

### Details:

- Minimum slope: 1:12 (with sealant)
- Multi-Rib is also available with MoistureLok

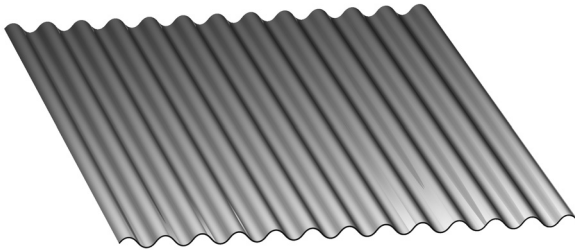
### Panel Options:

- Roof panels: purlin bearing leg required
- Wall panels: non-purlin bearing leg optional
- Coating:
  - Kynar 500® (PVDF)
  - Silicone Modified Polyester (SMP)
- Substrate:
  - Standard 26 GA Galvalume® (roof and wall panels)
  - Multi-Rib: optional 24, 22 GA Galvalume (wall panels)
  - R-Panel: optional 24, 22 GA Galvalume (wall panels only)

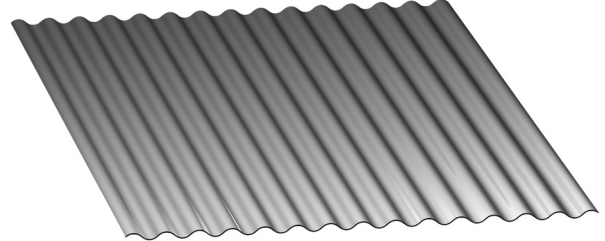
### Notes:

- Oil canning is inherent in all metal panels and is not cause for panel rejection.
- Please contact a McElroy representative for specific pricing, lead times, special colors or gauges that may not be on a McElroy Metal color chart.
- Contents in this manual are subject to change without notice. To confirm this book is the most current copy, please visit McElroy's website at [www.mcelroymetal.com](http://www.mcelroymetal.com).

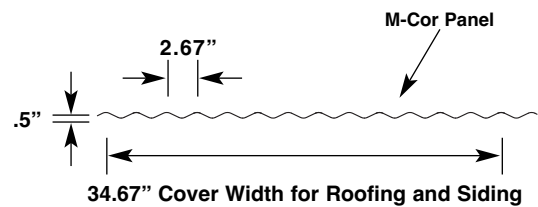
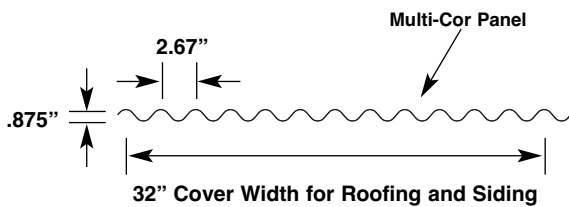
# MULTI-COR/M-COR



**Multi-Cor**



**M-Cor**



## Multi-Cor and M-Cor Load Tables and Section Properties

For any available Test Data, Section Properties or Load Tables, please visit [www.mcelroymetal.com](http://www.mcelroymetal.com). For additional information, please contact the **McElroy Engineering Department at 1-800-950-9082**.

### Details:

- Multi-Cor minimum slope: 1:12
- M-Cor minimum slope: 1:12
- Tape sealant required on all slopes
- Can be installed over solid deck or open framing
  
- Multi-Cor and M-Cor are produced in Bossier City, LA

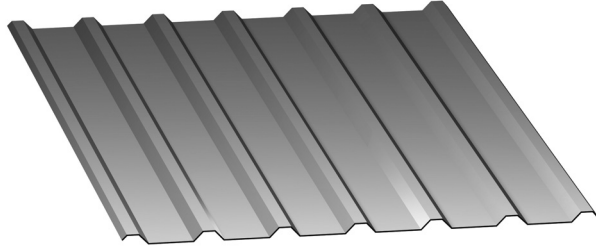
### Panel Options:

- Coating:
  - Kynar 500® (PVDF)
  - Silicone Modified Polyester (SMP)
- Substrate:
  - Standard 26 GA Galvalume®
  - Optional 24, 22 GA Galvalume (Multi-Cor)
  - Optional 29, 24 GA Galvalume (M-Cor)

### Notes:

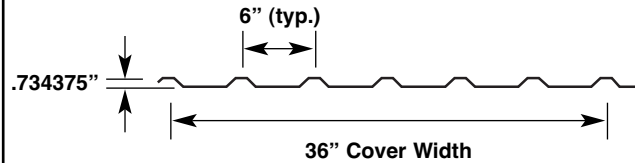
- Oil canning is inherent in all metal panels and is not cause for panel rejection.
- Please contact a McElroy representative for specific pricing, lead times, special colors or gauges that may not be on a McElroy Metal color chart.
- Contents in this manual are subject to change without notice. To confirm this book is the most current copy, please visit McElroy's website at [www.mcelroymetal.com](http://www.mcelroymetal.com).

# U-PANEL



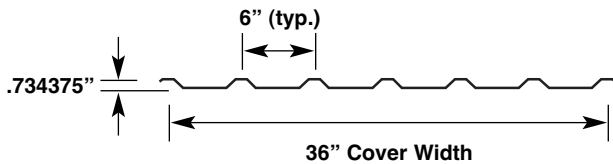
**U-Panel**

**U-PANEL PURLIN BEARING PROFILE**



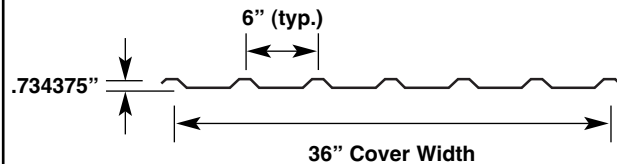
Master Coil Width: 43"

**U-PANEL NON- PURLIN BEARING PROFILE**



Master Coil Width: 40 7/8" (29 GA Only)

**U-PANEL NON- PURLIN BEARING PROFILE**



Master Coil Width: 41 9/16"

**U-Panel Load Tables and Section Properties**

For any available Test Data, Section Properties or Load Tables, please visit [www.mcelroymetal.com](http://www.mcelroymetal.com). For additional information, please contact the **McElroy Engineering Department** at 1-800-950-9082.

**Details:**

- Minimum slope: 1:12 (with sealant)

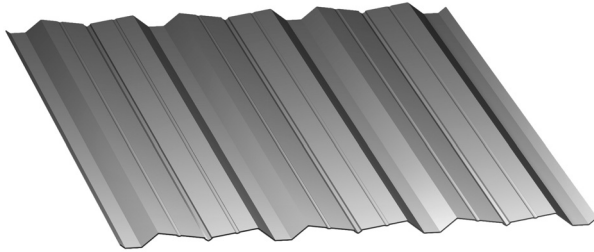
**Panel Options:**

- Roof panels: purlin bearing leg required
- Wall panels: non-purlin bearing leg optional
- Coating:
  - Kynar 500® (PVDF)
  - Silicone Modified Polyester (SMP)
- Substrate:
  - Standard 26 GA Galvalume® (roof and wall panels)
  - Optional 29, 24, 22 GA Galvalume (wall panels)

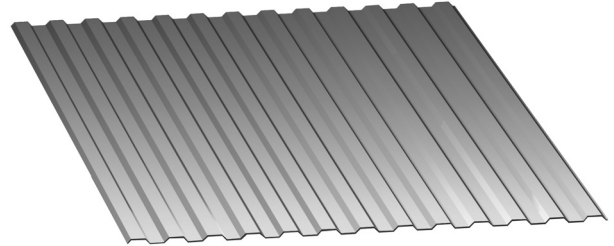
**Notes:**

- Oil canning is inherent in all metal panels and is not cause for panel rejection.
- Please contact a McElroy representative for specific pricing, lead times, special colors or gauges that may not be on a McElroy Metal color chart.
- Contents in this manual are subject to change without notice. To confirm this book is the most current copy, please visit McElroy's website at [www.mcelroymetal.com](http://www.mcelroymetal.com).

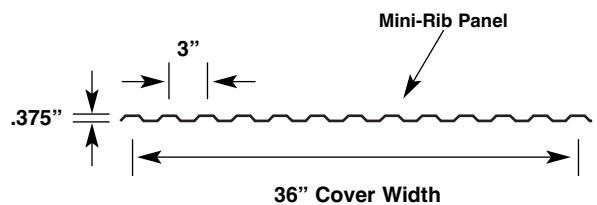
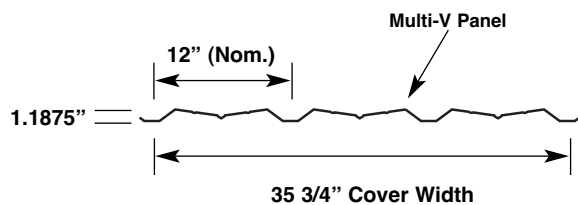
# MULTI-V/MINI-RIB



**Multi-V**



**Mini-Rib**



## Multi-V and Mini-Rib Load Tables and Section Properties

For any available Test Data, Section Properties or Load Tables, please visit [www.mcelroymetal.com](http://www.mcelroymetal.com). For additional information, please contact the **McElroy Engineering Department** at 1-800-950-9082.

### Details:

- Multi-V is to be used as a wall panel only
- Mini-Rib is not applicable for exterior roof panels
- Mini-Rib is produced in Bossier City, LA

### Panel Options:

- Coating:
  - Kynar 500® (PVDF)
  - Silicone Modified Polyester (SMP)
- Substrate:
  - Multi-V
    - Standard 26 GA Galvalume®
    - Optional 24 GA Galvalume
  - Mini-Rib
    - Standard 26 and 29 GA Galvalume®
    - Optional 24 GA Galvalume

### Notes:

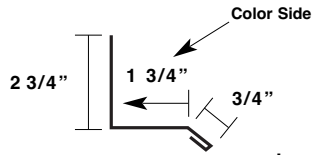
- Oil canning is inherent in all metal panels and is not cause for panel rejection.
- Please contact a McElroy representative for specific pricing, lead times, special colors or gauges that may not be on a McElroy Metal color chart.
- Contents in this manual are subject to change without notice. To confirm this book is the most current copy, please visit McElroy's website at [www.mcelroymetal.com](http://www.mcelroymetal.com).

# MULTI-RIB/R-PANEL

## TRIM

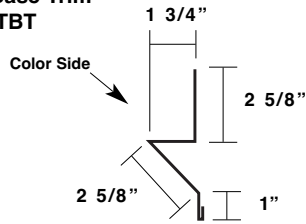
26 GA

**Simple Base Trim  
ITBD**



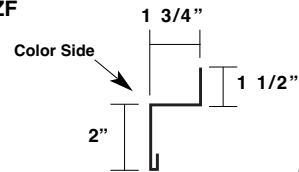
Lengths:  
10' - 3"  
14' - 3"

**Base Trim  
ITBT**



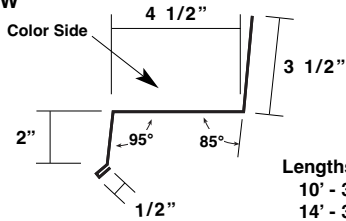
Lengths:  
10' - 3"  
14' - 3"

**Zee Trim  
ITZF**



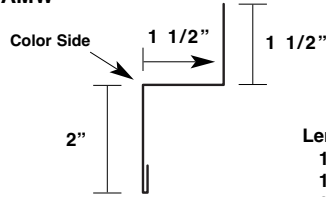
Lengths:  
10' - 3"  
14' - 3"

**Masonry Wainscoat  
ITMW**



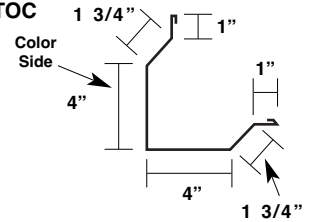
Lengths:  
10' - 3"  
14' - 3"

**Alternate Masonry Wainscoat  
ITAMW**



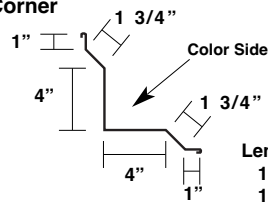
Lengths:  
10' - 3"  
14' - 3"  
20' - 3"

**Outside Corner  
ITOC**



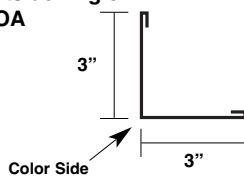
Lengths:  
10' - 3"  
14' - 3"

**Inside Corner  
ITIC**



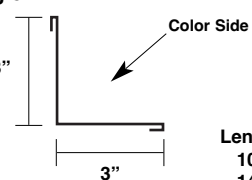
Lengths:  
10' - 3"  
14' - 3"

**Outside Angle Trim  
ITOA**



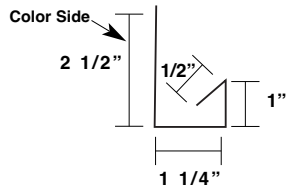
Lengths:  
10' - 3"  
14' - 3"

**Inside Angle Trim  
ITIA**



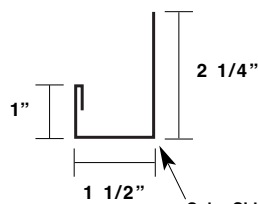
Lengths:  
10' - 3"  
14' - 3"

**Jamb Trim  
ITJT**



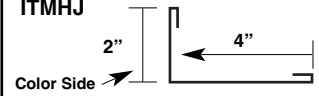
Lengths:  
10' - 3"  
14' - 3"

**Head Trim  
ITHT**



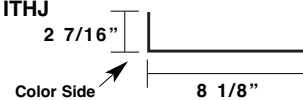
Lengths:  
10' - 3"  
14' - 3"

**Mini Jamb / Header Cover  
ITMHJ**



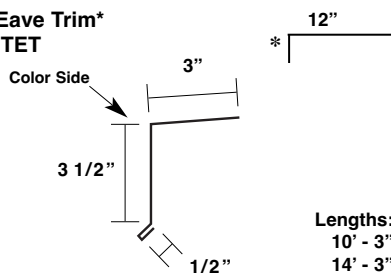
Lengths:  
7' - 1"  
8' - 1"  
9' - 1"

**Jamb / Header Cover Trim  
ITHJ**



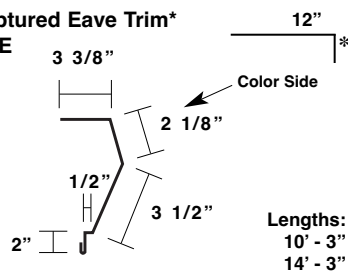
Lengths:  
10' - 3"  
14' - 3"

**Eave Trim\*  
ITET**



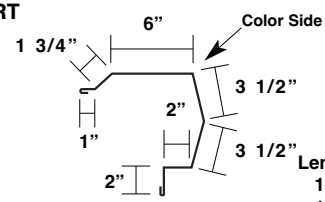
Lengths:  
10' - 3"  
14' - 3"

**Sculptured Eave Trim\*  
ITSCE**



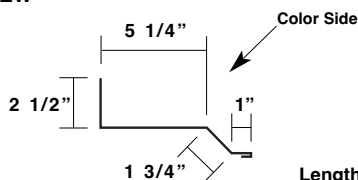
Lengths:  
10' - 3"  
14' - 3"

**Rake Trim  
ITRT**



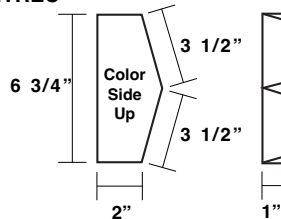
Lengths:  
10' - 3"  
14' - 3"  
20' - 3"

**Rake Tie-In Trim  
ITEW**

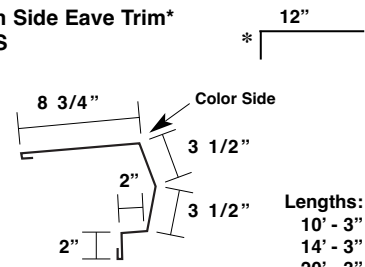


Lengths:  
10' - 3"  
14' - 3"

**Rake Closure  
ITREC**



**High Side Eave Trim\*  
ITHS**



Lengths:  
10' - 3"  
14' - 3"  
20' - 3"

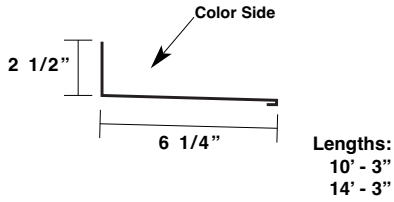
\* specify roof pitch

# MULTI-RIB/R-PANEL

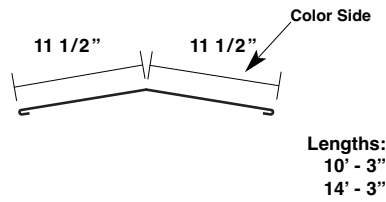
## TRIM

26 GA

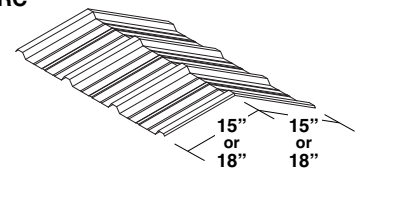
**High Side Tie-In Trim\***  
ITSW



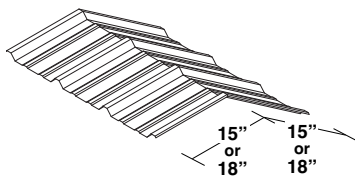
**Ridge Cap\***  
ITRC



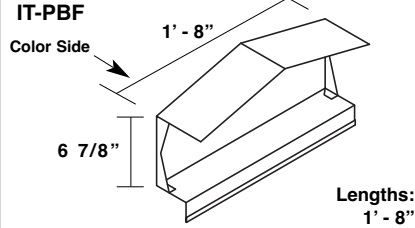
**Multi-Rib Formed Ridge Cap\***  
MRC



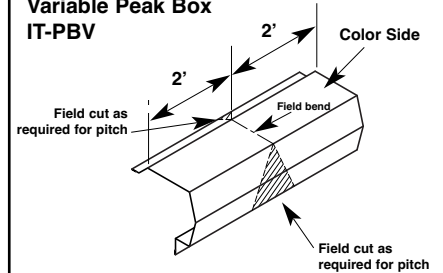
**R-Panel Formed Ridge Cap\***  
RRC



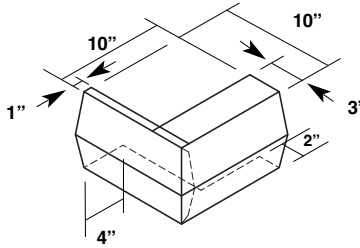
**Fixed Peak Box\***  
(Additional Roof Pitch Available)  
IT-PBF



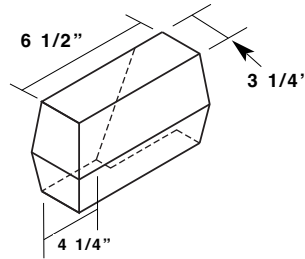
**Variable Peak Box**  
IT-PBV



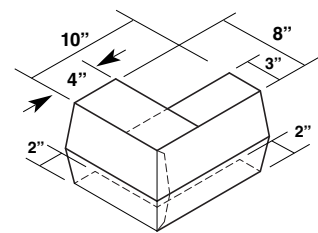
**Outside Corner Box for Standard Gutter**  
(Right Hand Shown Left Hand Opposite)  
IT-OCB



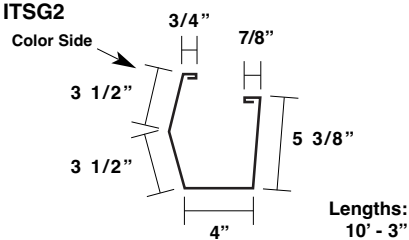
**Gutter Corner Box For Standard Gutter**  
2:12 to 4:12 or with Sculptured Gutter  
(Right Hand Shown Left Hand Opposite)  
IT-GCB



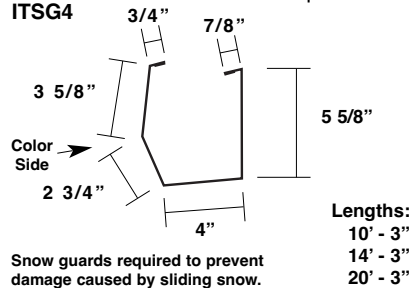
**High Side Corner Box**  
(Right Hand Shown Left Hand Opposite)  
IT-HSCB



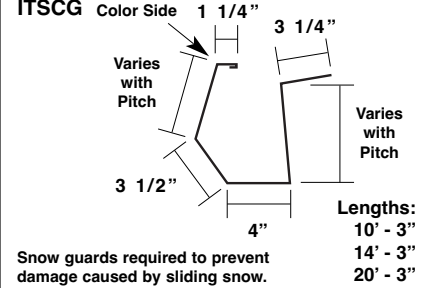
**Standard Gutter\***  
1/2:12 to 2:12 Pitch  
ITSG2



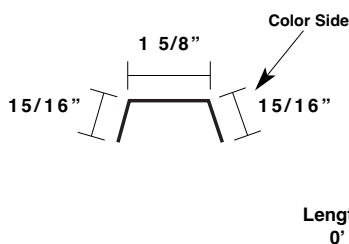
**Standard Gutter\***  
2:12 to 4:12 Pitch  
ITSG4



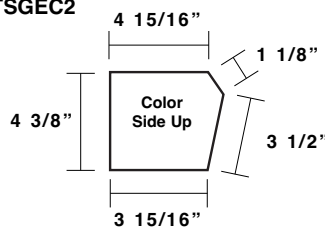
**Sculptured Gutter\***  
up to 4:12 Pitch  
ITSCG



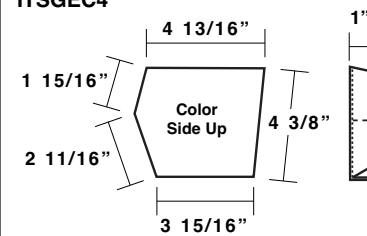
**Gutter Strap**  
IT-GS



**Standard Gutter End Cap**  
(Right Hand Shown Left Hand Opposite)  
1/2 to 2:12 Pitch  
ITSGEC2



**Standard Gutter End Cap**  
2:12 to 4:12 Pitch  
ITSGEC4



\*specify roof pitch

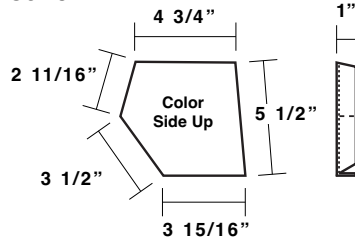


# MULTI-RIB/R-PANEL

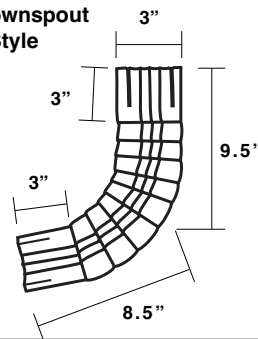
## TRIM

26 GA

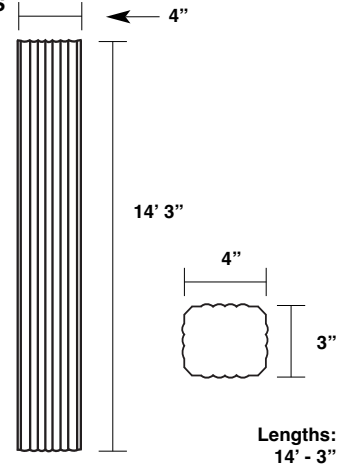
**Sculptured Gutter End Cap**  
(Right Hand Shown Left Hand Opposite)  
ISGEC



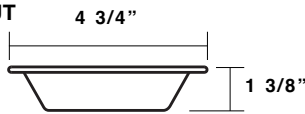
**3" x 4" Downspout Elbow A-Style**  
BBPELA



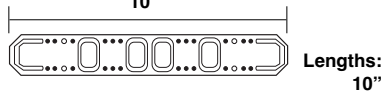
**Downspout 3" x 4"**  
BBPDS



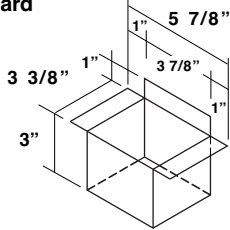
**Aluminum Downspout Outlet**  
BBPOUT



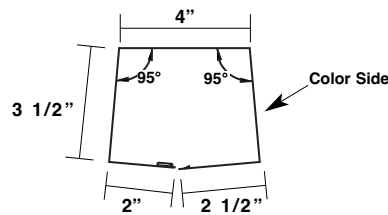
**Downspout Strap**  
BBPDSS



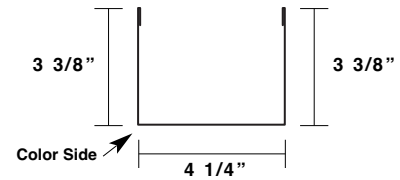
**Lock-Seam Downspout Outlet - Standard**



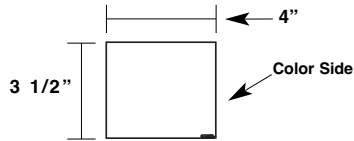
**Lock-Seam Downspout - Center**



**Lock-Seam Downspout Strap**

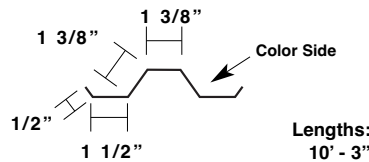


**Lock-Seam Downspout - Corner**  
(Right Hand Corner Shown)

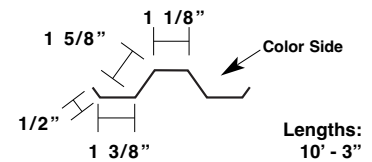


Please specify left or right hand corner

**Skylight Side Trim - UL90**  
(For Use with Multi-Rib Panels)



**Skylight Side Trim - UL90**  
(For Use with R-Panels)

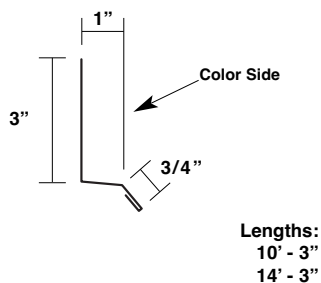


# MULTI-COR/M-COR

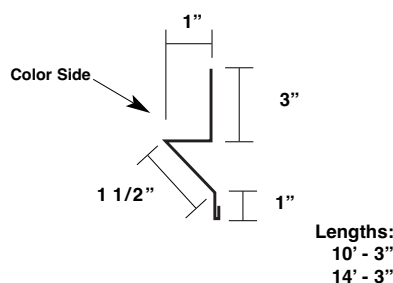
## TRIM

26 GA

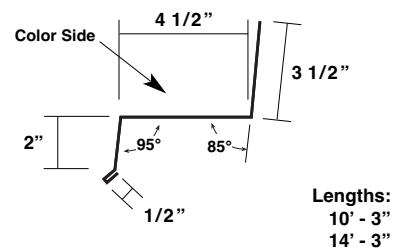
**Simple Base Trim**  
CORSB



**Base Trim**  
CORBT



**Masonry Wainscoat**  
CORMW



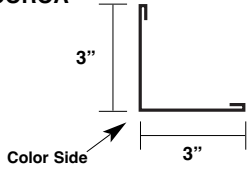


# MULTI-COR/M-COR

## TRIM

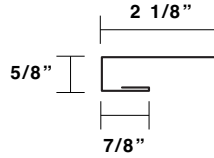
26 GA

**Outside Angle Trim  
COROA**



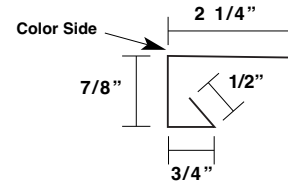
Lengths:  
10' - 3"  
14' - 3"

**Head / Jamb Trim (M-Cor Only)  
MCOHJ**



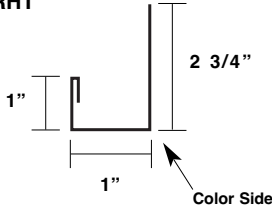
Lengths:  
10' - 3"  
14' - 3"

**Jamb Trim (Multi-Cor / U-Panel Only)  
CORJT**



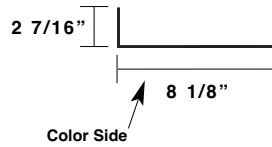
Lengths:  
10' - 3"  
14' - 3"

**Head Trim (Multi-Cor / U-Panel Only)  
CORHT**



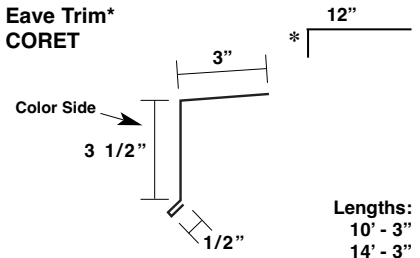
Lengths:  
10' - 3"  
14' - 3"

**Jamb / Head Cover Trim  
ITHJ**



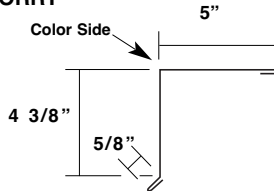
Lengths:  
10' - 3"  
14' - 3"

**Eave Trim\*  
CORET**



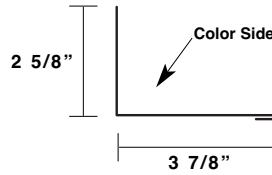
Lengths:  
10' - 3"  
14' - 3"

**Rake Trim  
CORRT**



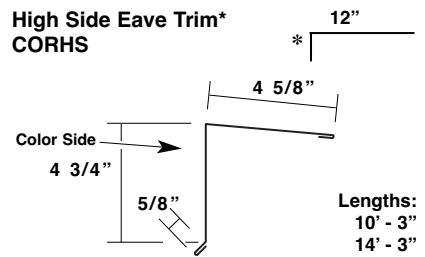
Lengths:  
10' - 3"  
14' - 3"

**Rake-Tie-In  
COREW**



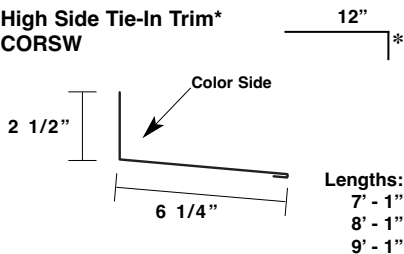
Lengths:  
10' - 3"  
14' - 3"

**High Side Eave Trim\*  
CORHS**



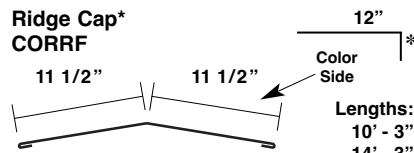
Lengths:  
10' - 3"  
14' - 3"

**High Side Tie-In Trim\*  
CORSW**



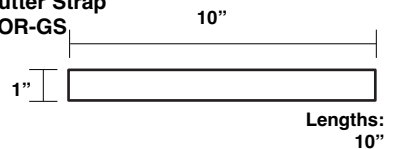
Lengths:  
7' - 1"  
8' - 1"  
9' - 1"

**Ridge Cap\*  
CORRF**



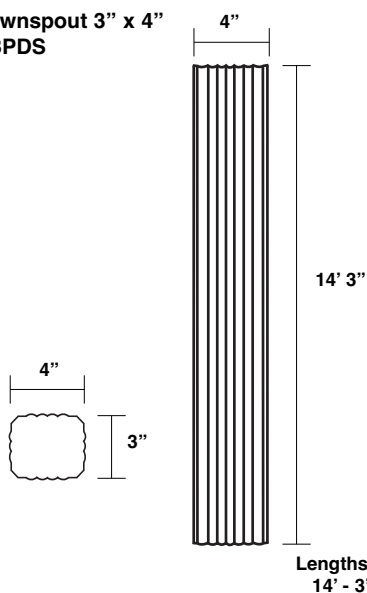
Lengths:  
10' - 3"  
14' - 3"

**Gutter Strap  
COR-GS**



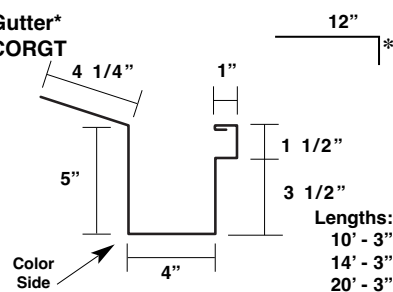
Lengths:  
10"

**Downspout 3" x 4"  
BBPDS**



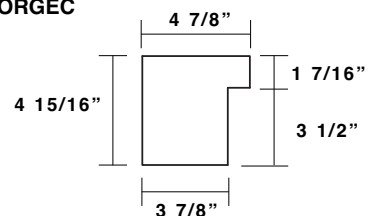
Lengths:  
14' - 3"

**Gutter\*  
CORGT**

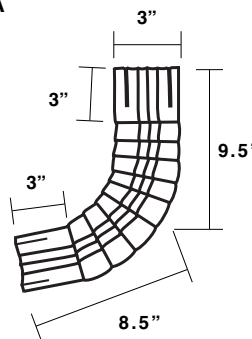


Lengths:  
10' - 3"  
14' - 3"  
20' - 3"

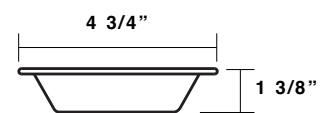
**Gutter End Cap  
CORGEC**



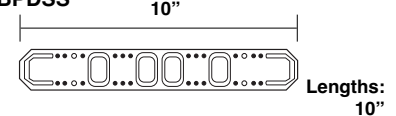
**3" x 4" Downspout Elbow A-Style  
BBPELA**



**Aluminum Downspout Outlet  
BBPOUT**



**Downspout Strap  
BBPDSS**



Lengths:  
10"

\*specify roof pitch

# U-PANEL

## TRIM

26 GA

<p><b>Simple Base Trim</b> U-SB</p> <p>Lengths: 10' - 3" 14' - 3"</p>	<p><b>Base Trim</b> U-BT</p> <p>Lengths: 10' - 3" 14' - 3"</p>	<p><b>Zee Flashing</b> U-ZF</p> <p>Lengths: 10' - 3" 14' - 3"</p>
<p><b>Masonry Wainscoat</b> U-MW</p> <p>Lengths: 10' - 3" 14' - 3"</p>	<p><b>Outside Corner</b> U-OC</p> <p>Lengths: 10' - 3" 14' - 3"</p>	<p><b>Inside Corner</b> U-IC</p> <p>Lengths: 10' - 3" 14' - 3"</p>
<p><b>Outside Angle Trim</b> U-OA</p> <p>Lengths: 10' - 3" 14' - 3"</p>	<p><b>Inside Angle Trim</b> U-IA</p> <p>Lengths: 10' - 3" 14' - 3"</p>	<p><b>Jamb Trim</b> U-JT</p> <p>Lengths: 10' - 3" 14' - 3"</p>
<p><b>Head Trim</b> U-HT</p> <p>Lengths: 10' - 3" 14' - 3"</p>	<p><b>Eave Trim*</b> U-EF</p> <p>Lengths: 10' - 3" 14' - 3"</p>	<p><b>Sculptured Eave Trim*</b> U-SE</p> <p>Lengths: 10' - 3" 14' - 3"</p>
<p><b>Rake Trim</b> U-RT</p> <p>Lengths: 10' - 3" 14' - 3"</p>	<p><b>Rake Tie-In Trim</b> U-EW</p> <p>Lengths: 10' - 3" 14' - 3"</p>	<p><b>Rake Closure</b> U-RC</p> <p>Color Side Up</p>
<p><b>High Side Eave Trim*</b> U-HS</p> <p>Lengths: 10' - 3" 14' - 3"</p>	<p><b>High Side Tie-In Trim*</b> U-SW</p> <p>Lengths: 10' - 3" 14' - 3"</p>	<p><b>Ridge Cap*</b> U-RC</p> <p>Lengths: 10' - 3" 14' - 3"</p>

\*specify roof pitch

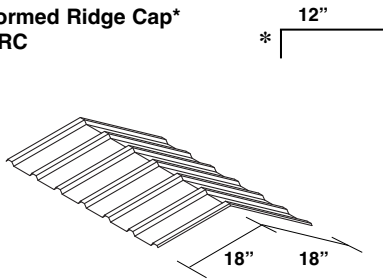
(H) Indicates an open hem - All other hems are closed.

# U-PANEL

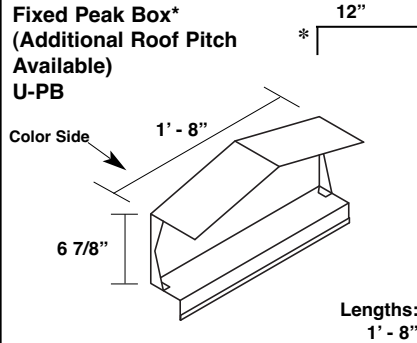
## TRIM

26 GA

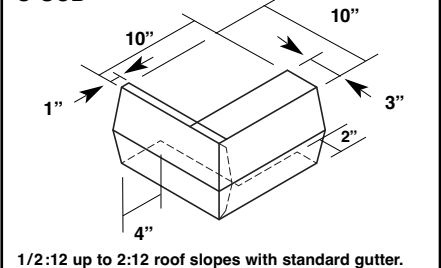
**Formed Ridge Cap\***  
URC



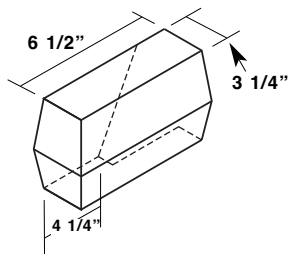
**Fixed Peak Box\***  
(Additional Roof Pitch Available)  
U-PB



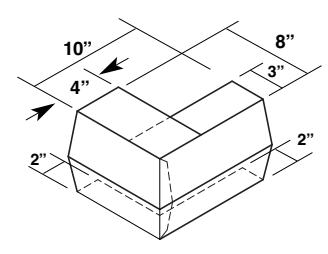
**Outside Corner Box for Standard Gutter**  
(Right Hand Shown Left Hand Opposite)  
U-OCB



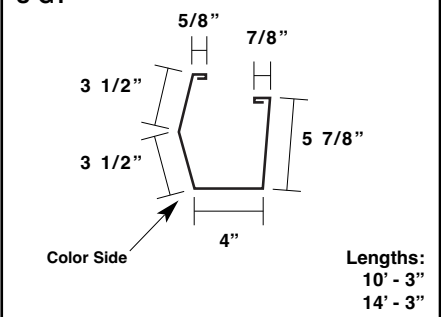
**Gutter Corner Box For Standard Gutter**  
2:12 to 4:12 or with Sculptured Gutter  
(Right Hand Shown Left Hand Opposite)  
U-GCB



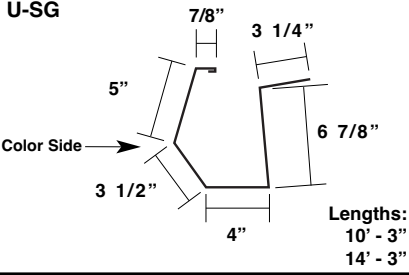
**High Side Corner Box**  
(Right Hand Shown Left Hand Opposite)  
U-HSC



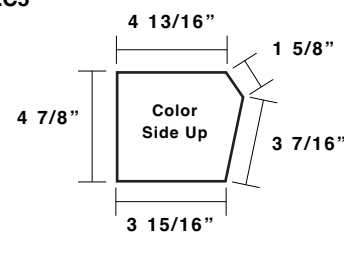
**Gutter**  
U-GT



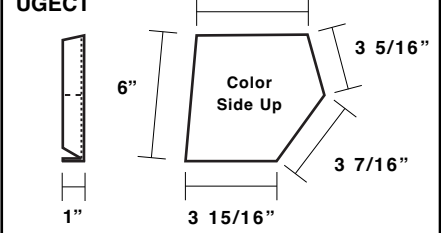
**Sculptured Gutter**  
U-SG



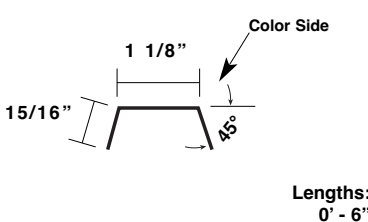
**Gutter End Cap**  
UGEC5



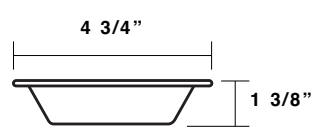
**Gutter End Cap**  
Sculptured  
UGECT



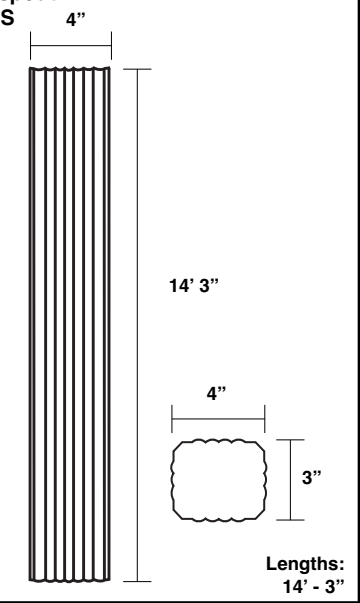
**Gutter Strap**  
U-GS



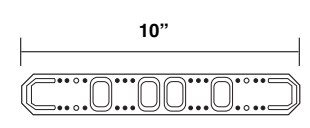
**Aluminium Downspout Outlet**  
BBPOUT



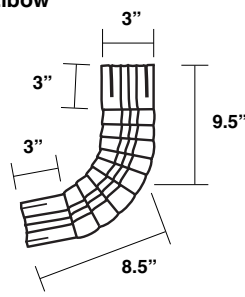
**Downspout**  
BBPDS



**Downspout Strap**  
BBPDSS



**A-Style Elbow**  
BBPELA



\*specify roof pitch

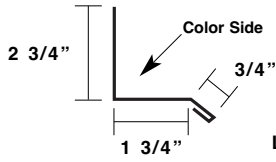
(H) Indicates an open hem - All other hems are closed.

# MULTI-V

## TRIM

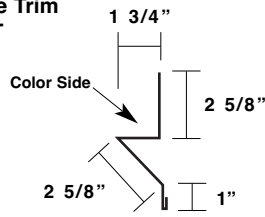
26 GA

**Simple Base Trim  
ITBD**



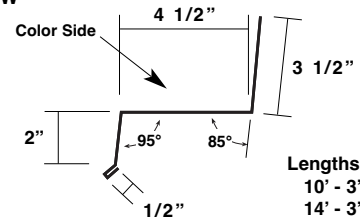
Lengths:  
10' - 3"  
14' - 3"

**Base Trim  
ITBT**



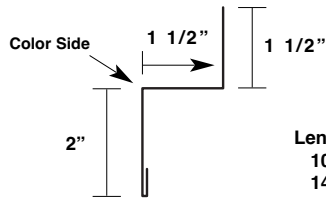
Lengths:  
10' - 3"  
14' - 3"

**Masonry Wainscoat  
ITMW**



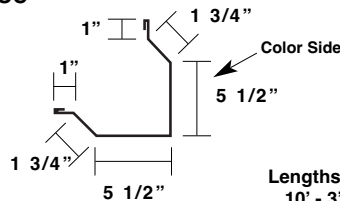
Lengths:  
10' - 3"  
14' - 3"

**Alternate Masonry Wainscoat  
ITAMW**



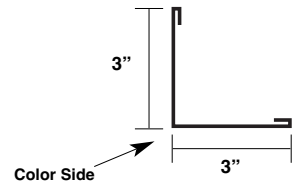
Lengths:  
10' - 3"  
14' - 3"  
20' - 3"

**Multi-V Outside Corner  
MUVOC**



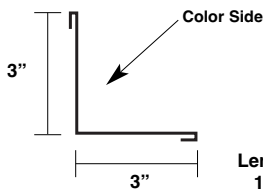
Lengths:  
10' - 3"  
14' - 3"

**Outside Angle Trim  
ITOA**



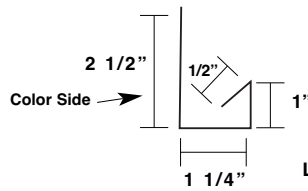
Lengths:  
10' - 3"  
14' - 3"

**Inside Angle Trim  
ITIA**



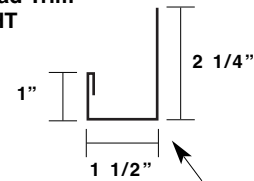
Lengths:  
10' - 3"  
14' - 3"

**Jamb Trim  
ITJT**



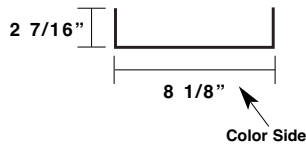
Lengths:  
10' - 3"  
14' - 3"

**Head Trim  
ITHT**



Lengths:  
10' - 3"  
14' - 3"

**Jamb / Head Cover Trim  
ITHJ**

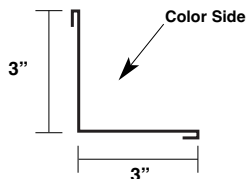


Lengths:  
10' - 3"  
14' - 3"

# MINI-RIB

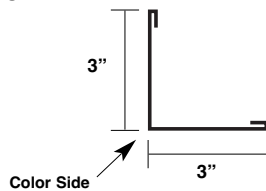
## TRIM

**Inside Angle Trim  
ITIA**



Lengths:  
10' - 3"  
14' - 3"


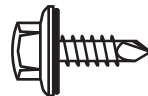
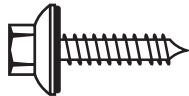
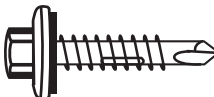
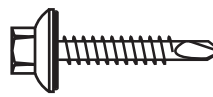

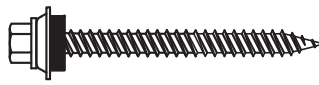
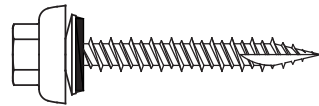
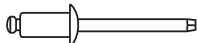


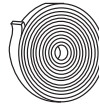












**Outside Angle Trim  
ITOA**



Lengths:  
10' - 3"  
14' - 3"

# MULTI-RIB / R-PANEL / MULTI-COR M-COR / U-PANEL / MULTI-V / MINI-RIB

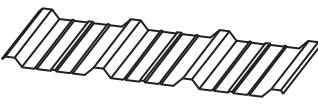
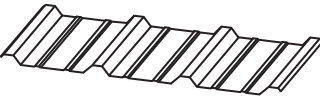
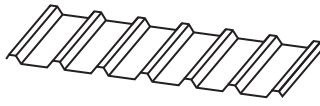
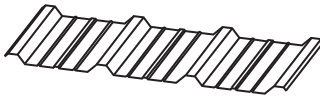
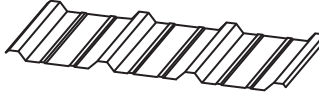
## ACCESSORIES

<p>1/4 - 14 x 1 1/4" TEK2 ZAC Self-Driller (Part # varies by color)</p> 	<p>1/4 - 14 x 7/8" LAPTEK ZAC Self-Driller (Part # varies by color)</p> 	<p>#14 x 1 1/2" Type AB ZAC (Part # varies by color)</p> 
<p>#12 - 14 x 1 1/4" TEK2 HWH w/washer Self-Driller (Part # varies by color)</p> 	<p>#12 - 14 x 1 1/4" TEK2 ZAC Self-Driller (Part # varies by color)</p> 	<p>1/4 - 14 x 7/8" LAPTEK HWH w/washer Self-Driller (Part # varies by color)</p> 
<p>#9 - 15 Type A Woodgrip W/Washer (Part # varies by color)</p> <p>Lengths: 1" 1 1/2" 2" 2 1/2"</p> 	<p>#10 - 15 Woodgrip HILO ZAC (Part # varies by Color)</p> 	<p>43D Pop rivets (Part # varies by color)</p> 
<p>Touch-Up Paint Pen (Part # varies by color)</p> 	<p>Roll Tape Sealant 3/32" X 1" X 45' Item #: 95335</p> 	<p>Roll Tape Sealant 1/8" x 1" x 30' Item #: 95345</p> 
<p>White Urethane Sealant Item #: 95320</p> 	<p>Titebond Caulk Sealant (Part # varies by color)</p> 	<p>Butyl Tube Sealant Item #: 95342</p> 
<p>Multi-Rib Outside Closure With Adhesive: 95059 Without Adhesive: 95057</p> 	<p>R-Panel Outside Closure With Adhesive: 81887 Without Adhesive: 95085</p> 	<p>Multi-V Outside Closure 95099</p> 
<p>Multi-Rib Inside Closure With Adhesive: 95058 Without Adhesive: 95054</p> 	<p>R-Panel Inside Closure With Adhesive: 81886 Without Adhesive: 95080</p> 	<p>Multi-V Inside Closure 95097</p> 
<p>Mini-Rib Closure 95151</p> 	<p>Multi-Cor Closure 95031</p> 	<p>M-Cor Closure 95011</p> 



# MULTI-RIB / R-PANEL / MULTI-COR M-COR / U-PANEL / MULTI-V / MINI-RIB

## ACCESSORIES

<p>Multi-Rib Fiberglass Panel Available in Clear, White and Opal 11' - 91201 12' - 91207 16' - 91218</p> 	<p>R-Panel Fiberglass Panel Item #: 91235</p>  <p>Lengths: 11'</p>	<p>U-Panel Fiberglass Panel 37 3/8" X 12' Item #: 91212</p> 
<p>Sunsky Clear Polycarbonate Panel (For MULTI-RIB) Available in Clear and White</p>  <p>Lengths: 8' 10' 12'</p> <p>Not inventoried at all locations.</p>	<p>Sunsky Clear Polycarbonate Panel (For R-PANEL) Available in Clear and White</p>  <p>Lengths: 8' 10' 12'</p> <p>Not inventoried at all locations.</p>	

### Notes:







☆ MANUFACTURING LOCATIONS ● SERVICE CENTERS ★ MANUFACTURING AND SERVICE CENTER



## CORPORATE OFFICE

1500 HAMILTON RD.  
BOSSIER CITY, LA 71111

## MANUFACTURING LOCATIONS

ADELANTO, CA	ASHBURN, GA	BOSSIER CITY, LA	CLINTON, IL	DIAMOND, MO
HOUSTON, TX	LEWISPORT, KY	MARSHALL, MI	MAUSTON, WI	MERKEL, TX
	PEACHTREE CITY, GA	SUNNYVALE, TX	WINCHESTER, VA	

## MCELROY METAL SERVICE CENTER

17031 Koala Road  
Adelanto, CA 92301

5215 Leo St.  
Alexandria, LA 71301

1007 Wilso Dr,  
Baltimore, MD 21223

1500 Hamilton Rd.  
Bossier City, LA 71111

3052 Yadkin Road  
Chesapeake, VA 23323

9476 Meadowbrook Rd.  
Clinton, IL 61727

3215 Highway 59  
Diamond, MO 64840

390 N. Valley Dell Dr.  
Fenton, MO 63026

409 Lovejoy Road  
Ft. Walton Beach, FL 32548

3014 Lincoln Court  
Garland, TX 75041

1440 Aldine Bender Road  
Houston, TX 77032

10504 E. 59th Street  
Indianapolis, IN 46236

9435 US Hwy. 60 W.  
Lewisport, KY 42351

1020 Veterans Street  
Mauston, WI 53948

5123 Terminal Dr.  
McFarland, WI 53558

514 Cave Road  
Nashville, TN 37210

8304 Hwy. 70 E.  
North Little Rock, AR 72117

613 North Bierdeman Rd.  
Pearl, MS 39208

7450 Tower Street  
Richland Hills, TX 76118

8200 Berry Ave. Suite 100  
Sacramento, CA 95828

1365 Dean Forest Rd.  
Savannah, GA 31405

7355 Oakley Industrial Blvd.  
Union City, GA 30291

1144 Silstar Rd.  
West Columbia, SC 29170

325 McGhee Rd.  
Winchester, VA 22603

Website: [www.mcelroymetal.com](http://www.mcelroymetal.com) • E-mail: [info@mcelroymetal.com](mailto:info@mcelroymetal.com)