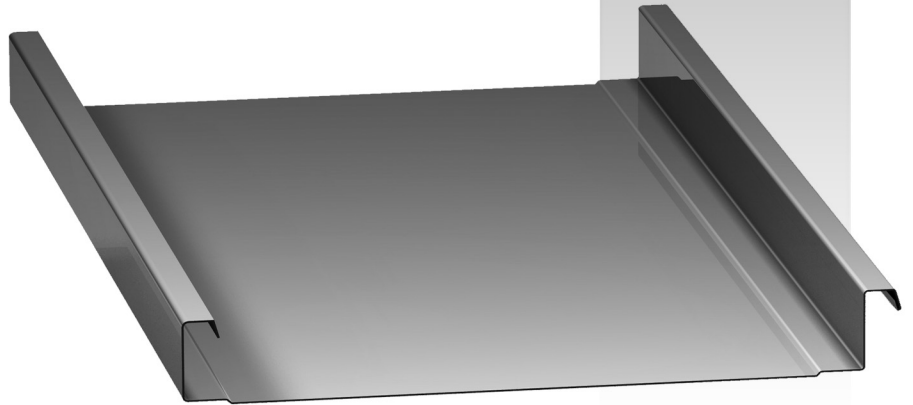


MAXIMA

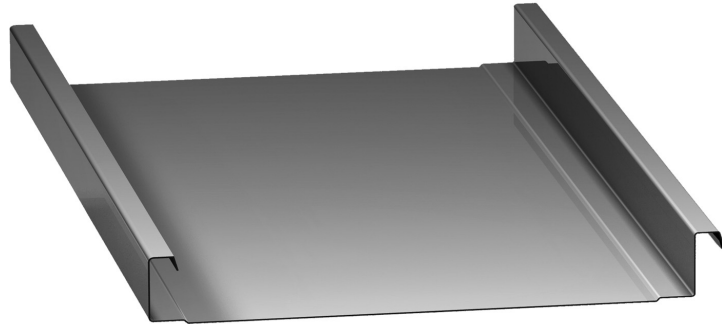


## Panel / Trim / Accessories





# MAXIMA




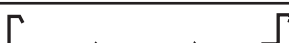


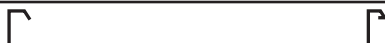


## Maxima

### Maxima Testing Data, Section Properties, and Load Tables

For any available Testing Data, Section Properties, or Load Tables, please visit [www.mcelroymetal.com](http://www.mcelroymetal.com). For additional information, please contact the **McElroy Engineering Department at 1-800-950-9082**.

### Maxima Panel Availability

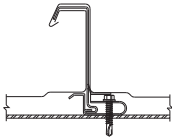
MAXIMA PROFILES	WIDTH	PAN CONDITIONS			FACTORYNOTCHING			SEAM			
	WIDTH IN INCHES	STRIATED	DOUBLE PENCIL RIB	SINGLE PENCIL RIB	FLAT PAN	CURVED	LAP	EAVE	NONE	90 DEGREE SEAM	180 DEGREE SEAM
 MAXIMA 1.5" SHOWN AS STRIATED	12	■	■	■	■	■			■	■	
 MAXIMA 1.5" SHOWN AS STRIATED	16, 18	■			■	■	■			■	■
 MAXIMA 2" SHOWN AS FLAT PAN (OPT.) <small>(SINGLE PENCIL RIB AVAILABLE IN 12" ONLY)</small>	12	■		■		■		■	■	■	■
 MAXIMA 2" SHOWN AS BEAD (PENCIL) RIB (OPT.)	16, 18	■			■	■		■	■	■	■
 MAXIMA ADV 2" SHOWN AS STRIATED	12	■		■		■	■	■	■	■	■
 MAXIMA ADV 2" SHOWN AS STRIATED	16, 18	■			■	■	■	■	■	■	■
 MAXIMA 3" SHOWN AS MINOR RIB (STD.) <small>(18" PANEL ONLY AVAILABLE WITH ONE MINOR RIB)</small>	18, 24	■	■					■	■	■	■

MAXIMA 2" & 3" CAN BE FACTORY NOTCHED AT EITHER THE LAP END OR THE EAVE END, BUT NOT BOTH ENDS OF THE PANEL.  
 MAXIMA ADV 2" IS ALSO AVAILABLE WITHOUT SHOULDERS.

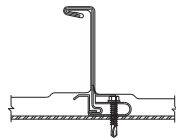
# MAXIMA

## Maxima Seaming Details

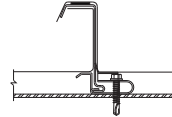
Maxima  
Before  
Mechanical  
Seaming



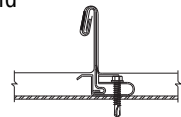
Maxima  
90° Fold



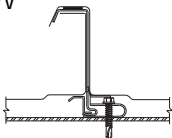
Maxima 1.5  
Before  
Mechanical  
Seaming



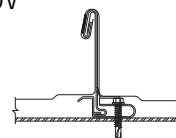
Maxima 1.5  
180° Fold



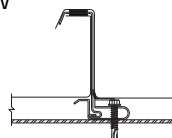
Maxima ADV  
Before  
Mechanical  
Seaming



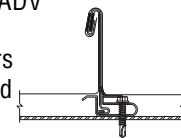
Maxima ADV  
180° Fold



Maxima ADV  
Without  
Shoulders  
Before  
Mechanical  
Seaming



Maxima ADV  
Without  
Shoulders  
180° Fold



### Details:

- Mechanically seamed profile
- Factory applied sealant (on non-curved panels only)
- Factory formed eave notch upon request
- Minimum slope: 1:12 for 1.5"
- Minimum slope: 1/2:12 for 2"
- Minimum slope: 1/4:12 for 3"
- Can be installed over solid deck or open framing
- Maxima 2" and ADV also available jobsite formed for long lengths
- Floating clips allow for 3 1/8" thermal movement
  
- Oil canning is a natural occurrence in metal panels and is not a cause for panel rejection.

### Panel Options:

- Seam height: 1.5", 2" & 3"
- Maxima: 90 degree seam
- Maxima 1.5 and ADV: 180 degree seam
- Panel width: 12", 16", 18", and 24"
- Panel configurations:
  - Maxima, Maxima 1.5 and ADV: flat, striated, pencil ribs, minor ribs (3" only)
  - Maxima 1.5 and ADV: curved
- Coating:
  - Kynar 500® (PVDF)
- Substrate:
  - Standard 24 GA Galvalume®
  - Optional 22 GA Galvalume
  - Optional .032 and .040 aluminum
  - No testing available on aluminum
- Maxima aluminum is produced in Sunnyvale, TX

### Notes:

- Customers can rent mechanical seaming equipment directly from Developmenta Industries (DI). DI is the only McElroy approved seamer supplier.
- Please contact a McElroy representative for specific pricing, lead times, special colors or gauges that may not be on a McElroy Metal color chart.
- Contents in this manual are subject to change without notice. To confirm this book is the most current copy, please visit McElroy's website at [www.mcelroymetal.com](http://www.mcelroymetal.com).

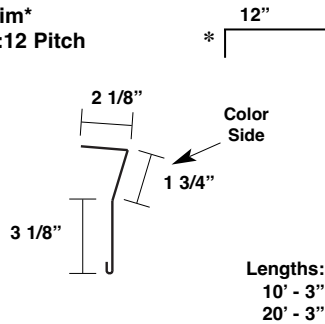
# MAXIMA 1.5"

COMMERCIAL / INDUSTRIAL APPLICATIONS

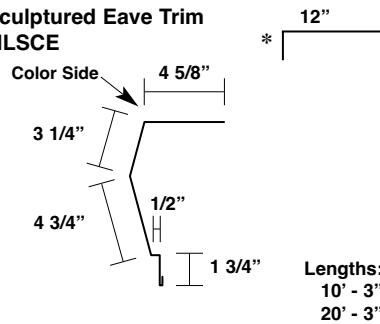
## TRIM 1.5" Maxima

Most Trims are 24 GA

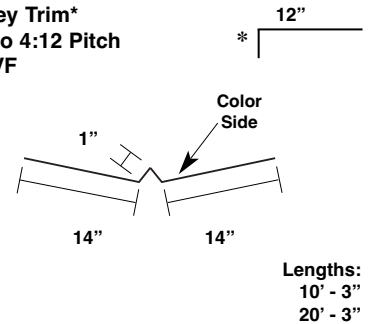
**Eave Trim\***  
Up to 4:12 Pitch  
MLSE



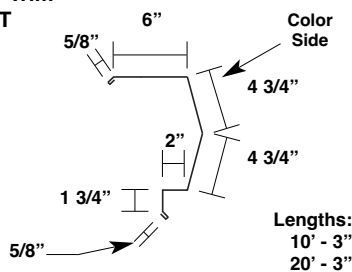
**Sculptured Eave Trim**  
MLSCE



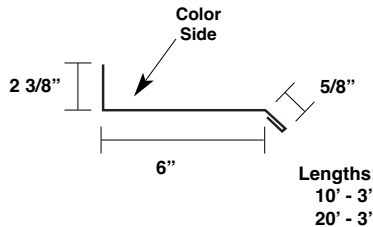
**Valley Trim\***  
Up to 4:12 Pitch  
MXVF



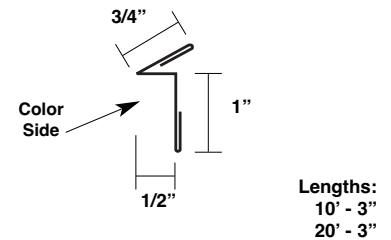
**Rake Trim**  
MXRT



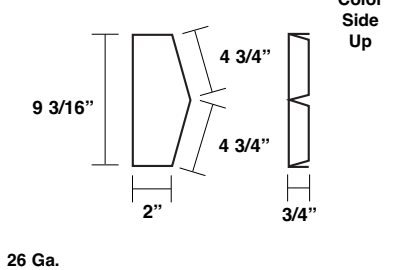
**Rake Tie-In Trim**  
MXEW



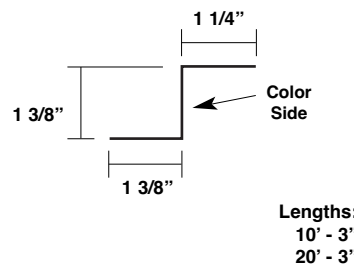
**Rake Slide**  
MLRS



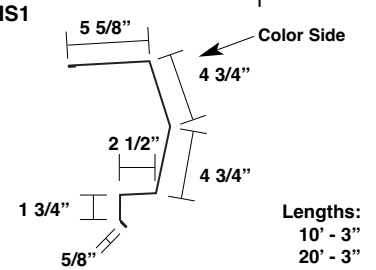
**Rake End Cap**  
ML-RE



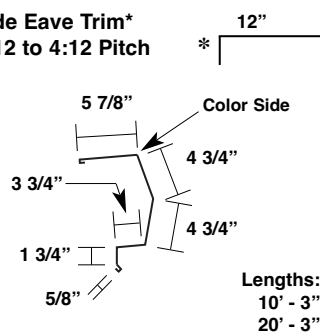
**1.5" Zee Flashing**  
MX1ZF



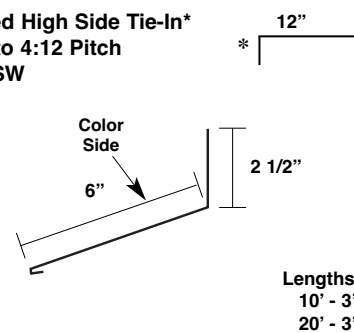
**High Side Eave Trim\***  
Up to 2:12 Pitch  
MLHS1



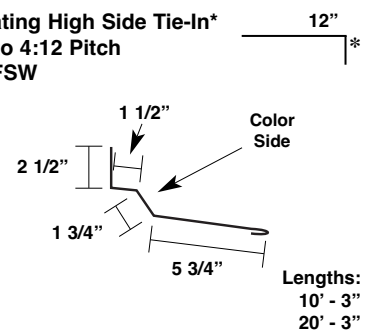
**High Side Eave Trim\***  
Over 2:12 to 4:12 Pitch  
MLHS4



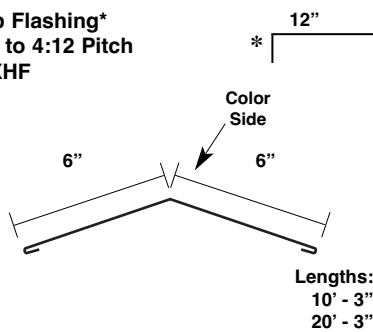
**Fixed High Side Tie-In\***  
Up to 4:12 Pitch  
MXSW



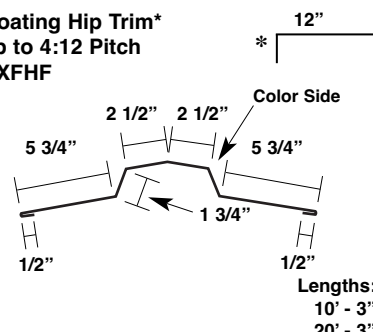
**Floating High Side Tie-In\***  
Up to 4:12 Pitch  
MXFSW



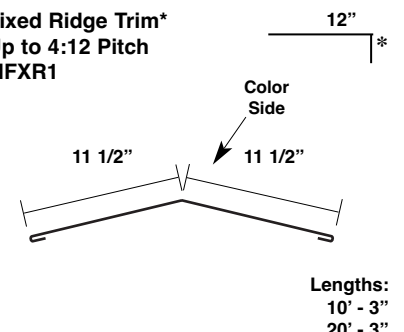
**Hip Flashing\***  
Up to 4:12 Pitch  
MXHF



**Floating Hip Trim\***  
Up to 4:12 Pitch  
MXHFH



**Fixed Ridge Trim\***  
Up to 4:12 Pitch  
MFXR1



\*specify roof pitch

(H) Indicates an open hem - All other hems are closed.

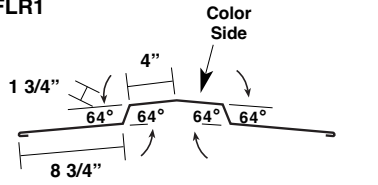
# MAXIMA 1.5"

COMMERCIAL / INDUSTRIAL APPLICATIONS

## TRIM 1.5" MAXIMA

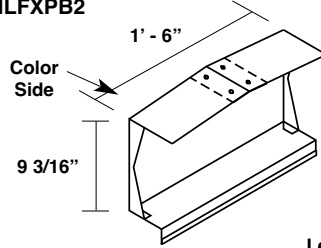
Most Trims are 24 GA

**Floating Ridge Trim\***  
Up to 4:12 Pitch  
MFLR1



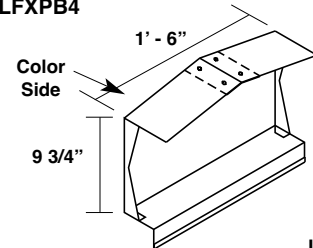
Lengths:  
10' - 3"  
20' - 3"

**Fixed Peak Box**  
Up to 2:12 Pitch  
MLFXPB2



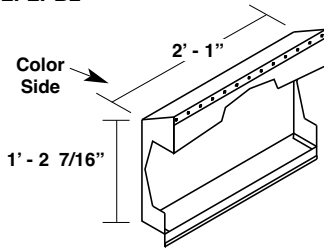
Lengths:  
1' - 6"

**Fixed Peak Box**  
Over 2:12 to 4:12 Pitch  
MLFXPB4



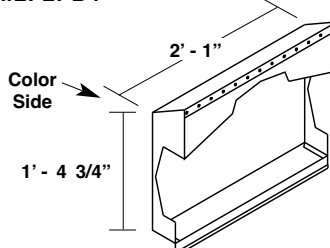
Lengths:  
1' - 6"

**Floating Peak Box**  
Up to 2:12 Pitch  
MLFLPB2



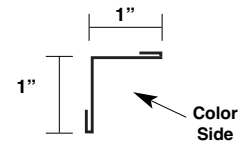
Lengths:  
2' - 1"

**Floating Peak Box**  
Over 2:12 to 4:12 Pitch  
MLFLPB4



Lengths:  
2' - 1"

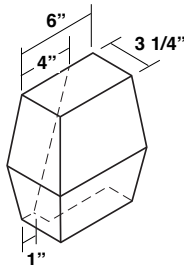
**Cinch Angle**  
ML-CA



Lengths:  
4"

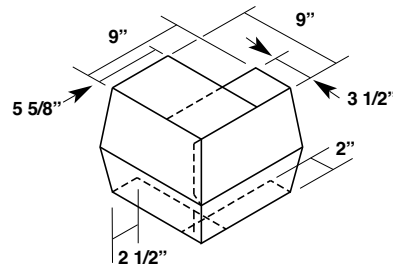
26 Ga.

**Gutter Corner Box for Sculptured Eave**  
Up to 4:12 Pitch  
(Right Hand Shown Left Hand Opposite)  
MLGCB



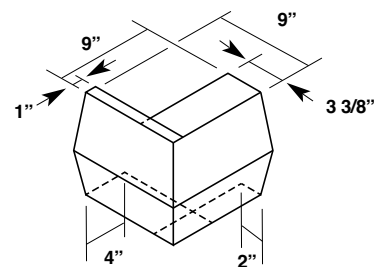
26 Ga.  
(Right Hand Shown  
Left Hand Opposite)

**Hi-Side Corner Box**  
MLHCB



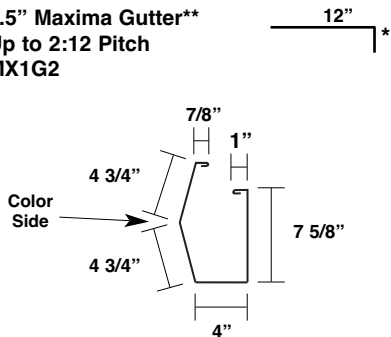
26 Ga.  
(Right Hand Shown  
Left Hand Opposite)

**Outside Corner Box for Standard Gutter**  
Up to 2:12 Pitch  
MLOCB



26 Ga.  
(Right Hand Shown  
Left Hand Opposite)

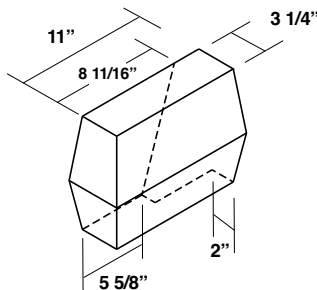
**1.5" Maxima Gutter\*\***  
Up to 2:12 Pitch  
MX1G2



\*\*Snow guards required to prevent damage caused by sliding snow.

Lengths:  
10' - 3"  
20' - 3"

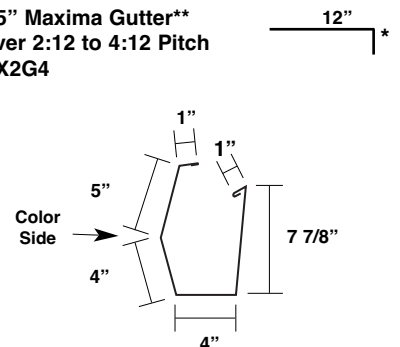
**Gutter Corner Box for Standard Gutter**  
2:12 to 4:12 pitch or with Sculptured Gutter  
(Right Hand Shown-Left Hand Opposite)



26 GA

Lengths:  
N/A

**1.5" Maxima Gutter\*\***  
Over 2:12 to 4:12 Pitch  
MX2G4



\*\*Snow guards required to prevent damage caused by sliding snow.

Lengths:  
10' - 3"  
20' - 3"

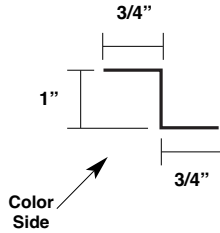
# MAXIMA 1.5"

COMMERCIAL / INDUSTRIAL APPLICATIONS

**TRIM**  
**1.5" Maxima**

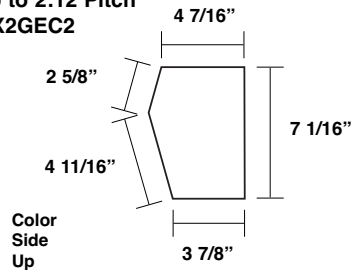
Most Trims are 24 GA

**Gutter Strap**  
**ML-GS**



Lengths:  
6"

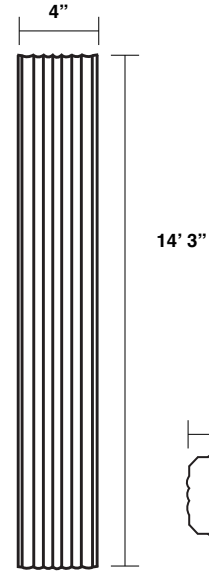
**Gutter End Cap**  
**Up to 2:12 Pitch**  
**MX2GEC2**



Color  
Side  
Up

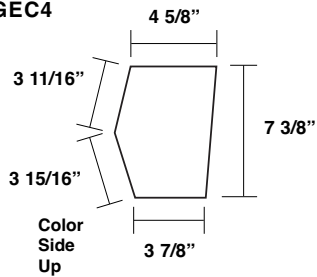
26 Ga.

**Downspout**  
**BBPDS**



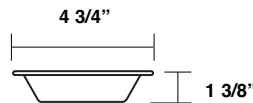
Lengths:  
14'-3"

**Gutter End Cap**  
**Over 2:12 TO 4:12 Pitch**  
**MX2GEC4**



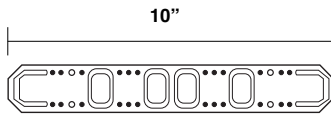
26 Ga.

**Aluminum Downspout**  
**Outlet Box**  
**BBPOUT**



Only available in 26 Ga.

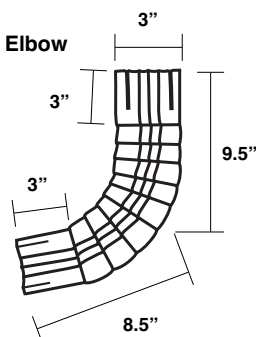
**Downspout Strap**  
**BBPDSS**



Only available in 26 Ga.

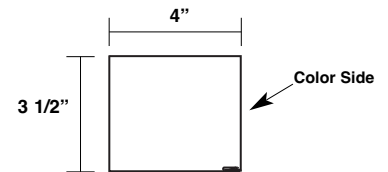
Lengths:  
10"

**3" x 4"**  
**Downspout Elbow**  
**A-Style**  
**BBPELA**



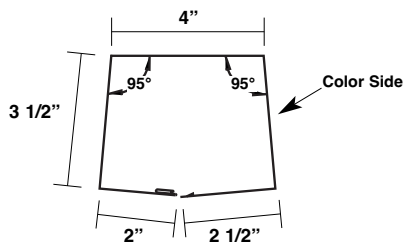
Only available in 26 Ga.

**Lock-Seam Downspout - Corner**  
**(Right Hand Corner Shown)**

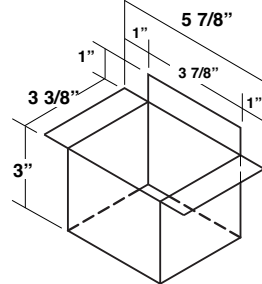


Please specify left or right hand corner

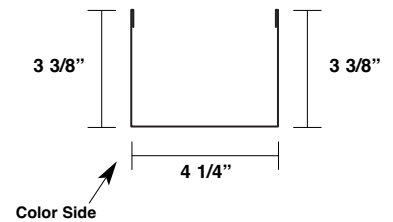
**Lock-Seam Downspout - Center**



**Lock-Seam Downspout Outlet -**  
**Standard**



**Lock-Seam Downspout Strap**



**Notes:**

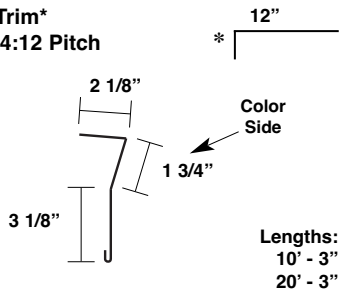
# MAXIMA 2" & ADV

COMMERCIAL / INDUSTRIAL APPLICATIONS

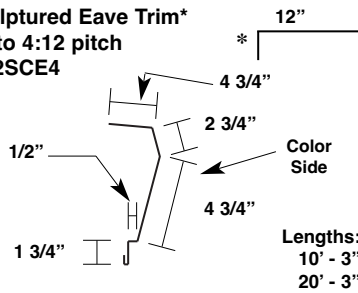
## TRIM 2" & ADV

Most Trims are 24 GA

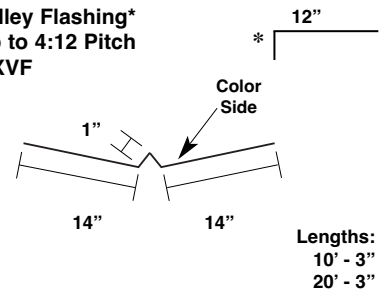
**Eave Trim\***  
Up to 4:12 Pitch  
MLSE



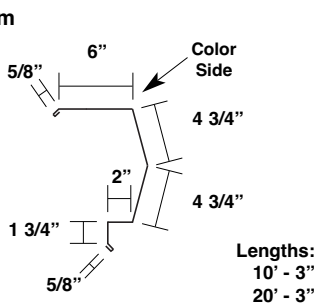
**Sculptured Eave Trim\***  
Up to 4:12 pitch  
MX2SCE4



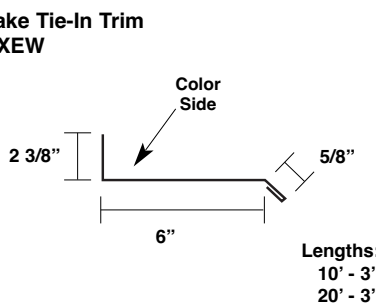
**Valley Flashing\***  
Up to 4:12 Pitch  
MXVF



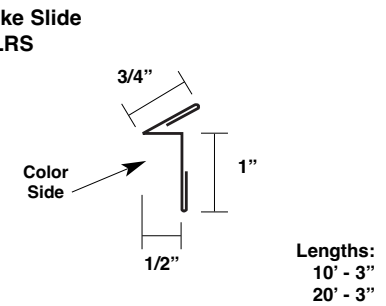
**Rake Trim**  
MXRT



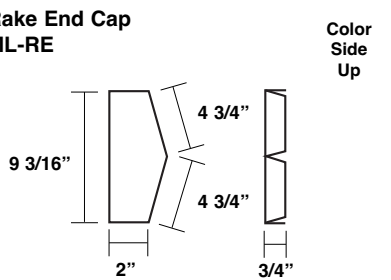
**Rake Tie-In Trim**  
MXEW



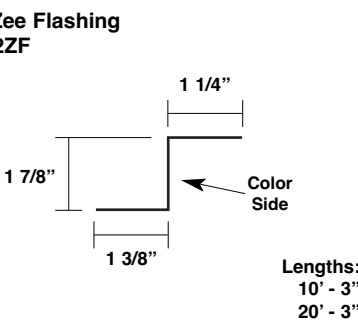
**Rake Slide**  
MLRS



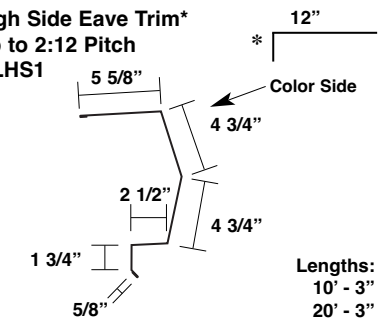
**Rake End Cap**  
ML-RE



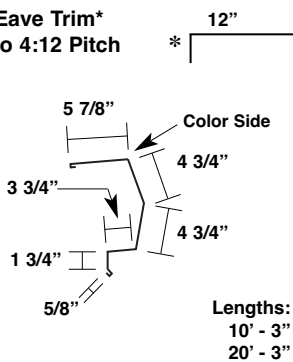
**2" Zee Flashing**  
MX2ZF



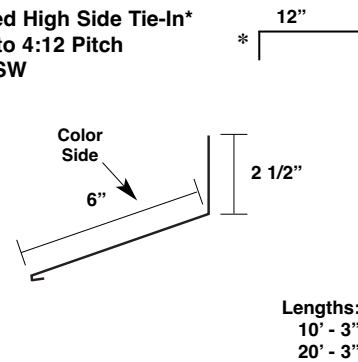
**High Side Eave Trim\***  
Up to 2:12 Pitch  
MLHS1



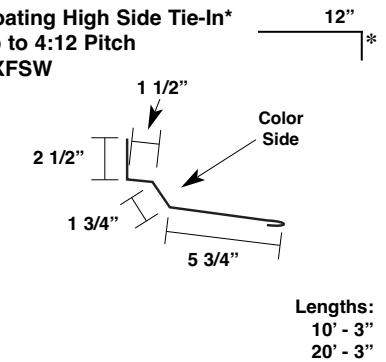
**High Side Eave Trim\***  
Over 2:12 to 4:12 Pitch  
MLHS4



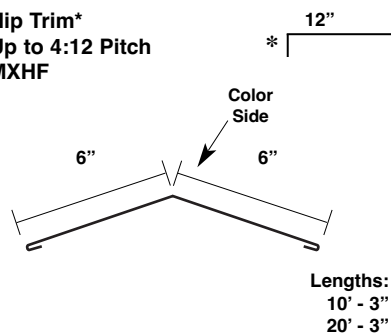
**Fixed High Side Tie-In\***  
Up to 4:12 Pitch  
MXSW



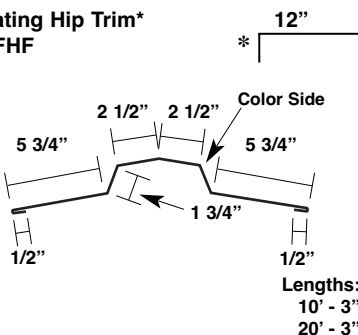
**Floating High Side Tie-In\***  
Up to 4:12 Pitch  
MXFSW



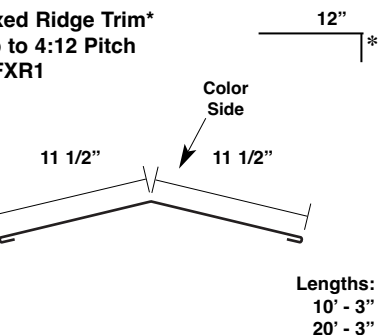
**Hip Trim\***  
Up to 4:12 Pitch  
MXHF



**Floating Hip Trim\***  
MXHFH



**Fixed Ridge Trim\***  
Up to 4:12 Pitch  
MFXR1





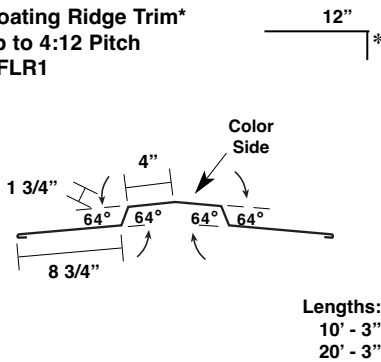
# MAXIMA 2" & ADV

COMMERCIAL / INDUSTRIAL APPLICATIONS

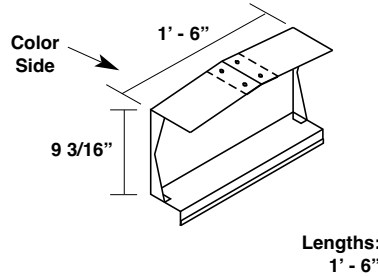
**TRIM**  
**2" & ADV**

Most Trims are 24 GA

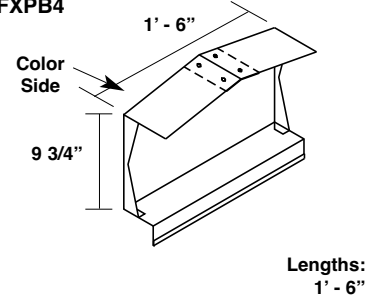
**Floating Ridge Trim\***  
Up to 4:12 Pitch  
MFLR1



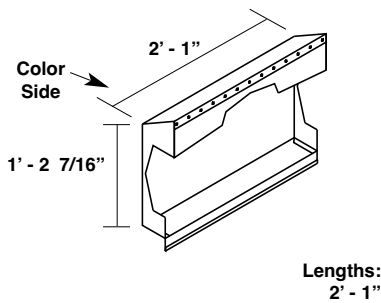
**Fixed Peak Box**  
Up to 2:12 Pitch  
MLFXPB2



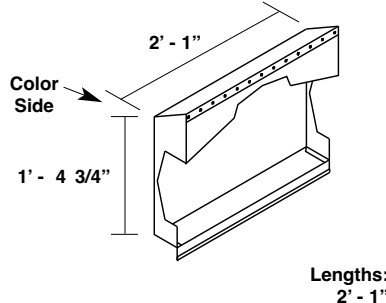
**Fixed Peak Box**  
Over 2:12 to 4:12 Pitch  
MLFXPB4



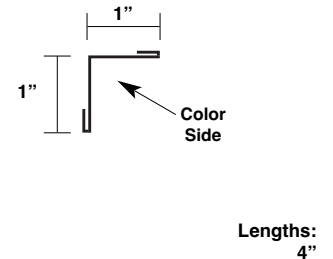
**Floating Peak Box**  
Up to 2:12 Pitch  
MLFLPB2



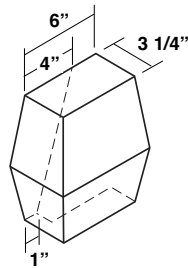
**Floating Peak Box**  
Over 2:12 to 4:12 Pitch  
MLFLPB4



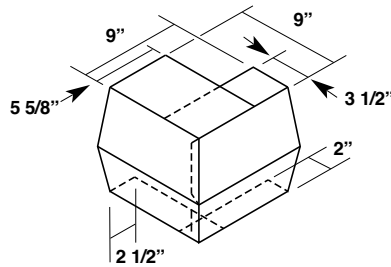
**Cinch Angle**  
ML-CA



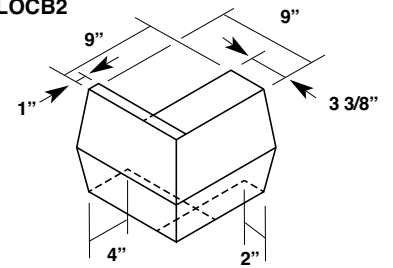
**Gutter Corner Box for Sculptured Eave**  
Up to 4:12 Pitch  
MLGCB



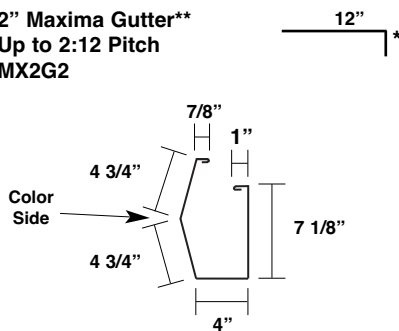
**Hi-Side Corner Box**  
MLHCB



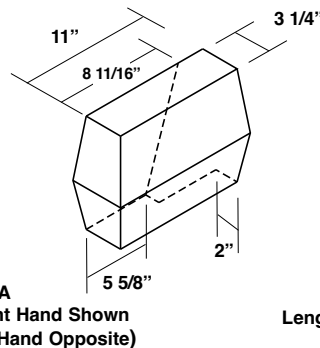
**Outside Corner Box for Standard Gutter\*\***  
Up to 2:12 Pitch  
MLOCB2



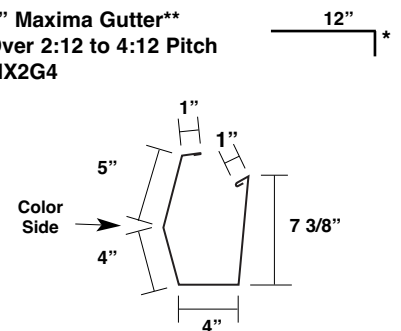
**2" Maxima Gutter\*\***  
Up to 2:12 Pitch  
MX2G2



**Gutter Corner Box for Standard Gutter**  
2:12 to 4:12 pitch or with Sculptured Gutter  
(Right Hand Shown-Left Hand Opposite)



**2" Maxima Gutter\*\***  
Over 2:12 to 4:12 Pitch  
MX2G4



\*\*Snow guards required to prevent damage caused by sliding snow.

\*\*Snow guards required to prevent damage caused by sliding snow.

\*specify roof pitch

(H) Indicates an open hem - All other hems are closed.

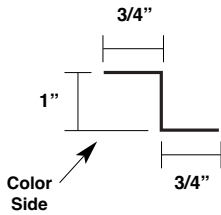
# MAXIMA 2" & ADV

**TRIM  
2" & ADV**

**COMMERCIAL / INDUSTRIAL APPLICATIONS**

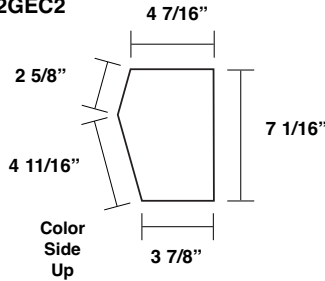
**Most Trims are 24 GA**

**Gutter Strap  
ML-GS**



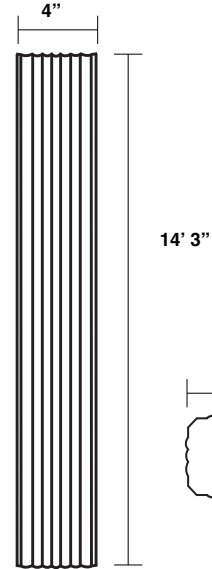
Lengths:  
6"

**Gutter End Cap - 2" Maxima  
Up to 2:12 Pitch  
MX2GEC2**



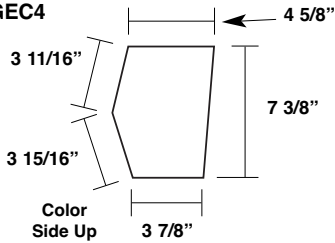
26 Ga.

**Downspout  
BBPDS**



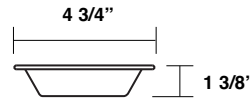
Lengths:  
14'-3"

**Gutter End Cap  
Over 2:12 TO 4:12 Pitch  
MX2GEC4**



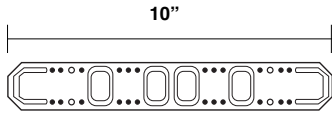
26 Ga.

**Aluminum Downspout  
Outlet Box  
BBPOUT**



Only available in 26 Ga.

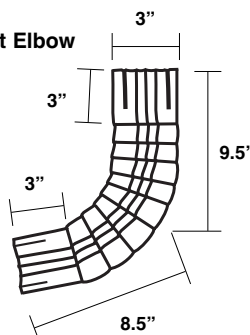
**Downspout Strap  
BBPDSS**



Lengths:  
10"

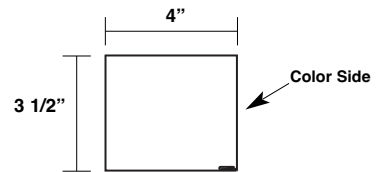
Only available in 26 Ga.

**3" x 4"  
Downspout Elbow  
A-Style  
BBPELA**



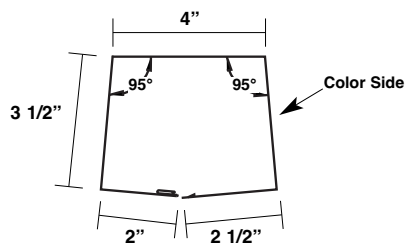
Only available in 26 Ga.

**Lock-Seam Downspout - Corner  
(Right Hand Corner Shown)**

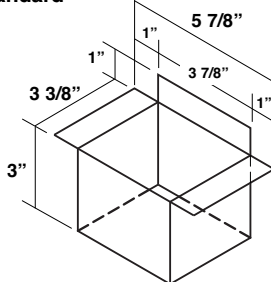


Please specify left or right hand corner

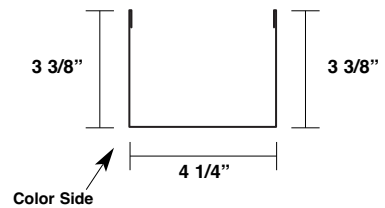
**Lock-Seam Downspout - Center**



**Lock-Seam Downspout Outlet -  
Standard**



**Lock-Seam Downspout Strap**



**Notes:**

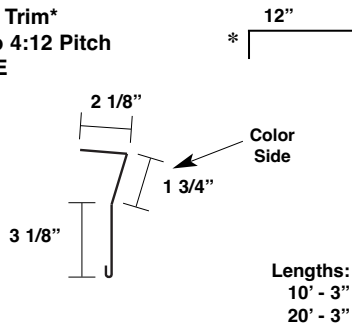
# MAXIMA 3"

COMMERCIAL / INDUSTRIAL APPLICATIONS

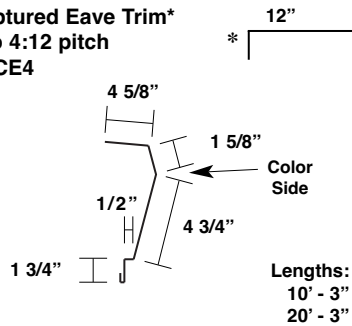
## TRIM 3" Maxima

Most Trims are 24 GA

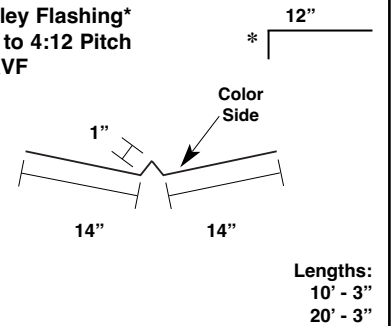
**Eave Trim\***  
Up to 4:12 Pitch  
MLSE



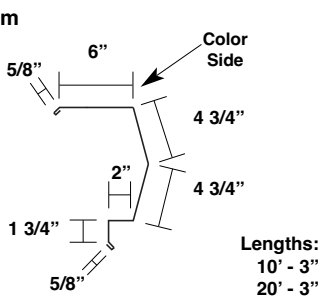
**Sculptured Eave Trim\***  
Up to 4:12 pitch  
MLSCE4



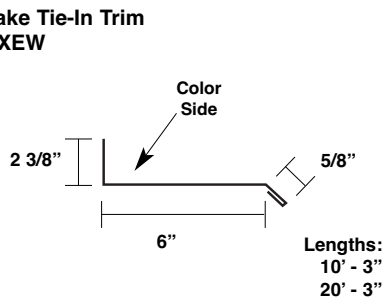
**Valley Flashing\***  
Up to 4:12 Pitch  
MXVF



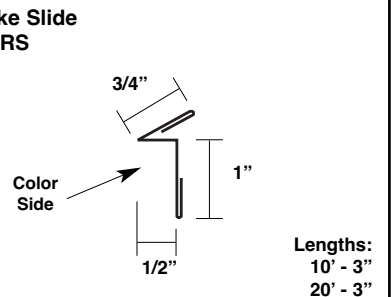
**Rake Trim**  
MXRT



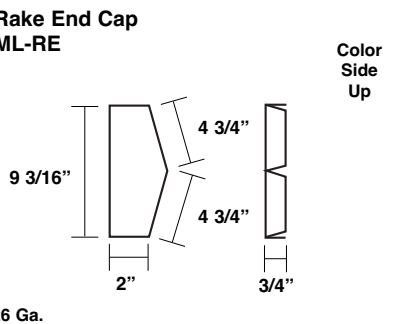
**Rake Tie-In Trim**  
MXEW



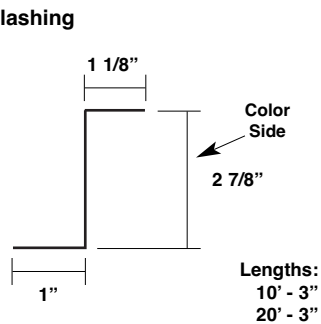
**Rake Slide**  
MLRS



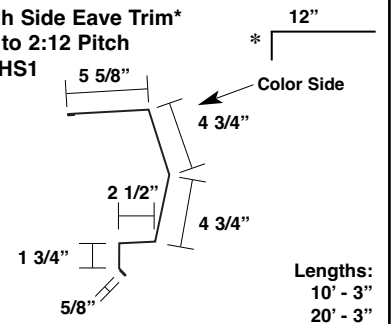
**Rake End Cap**  
ML-RE



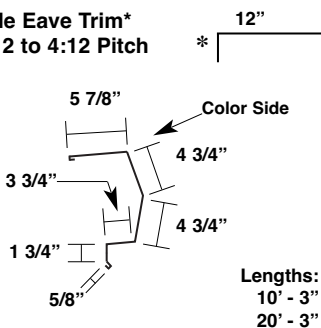
**3" Zee Flashing**  
MX3ZF



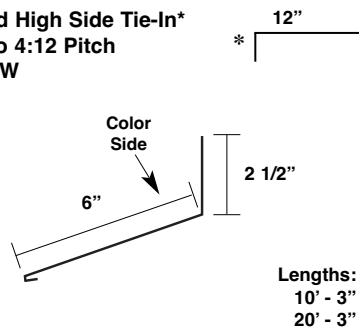
**High Side Eave Trim\***  
Up to 2:12 Pitch  
MLHS1



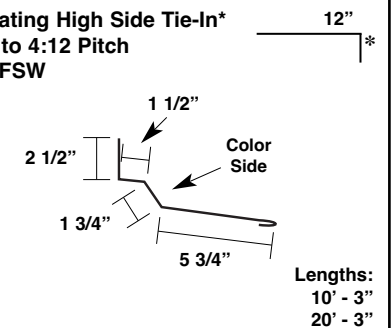
**High Side Eave Trim\***  
Over 2:12 to 4:12 Pitch  
MLHS4



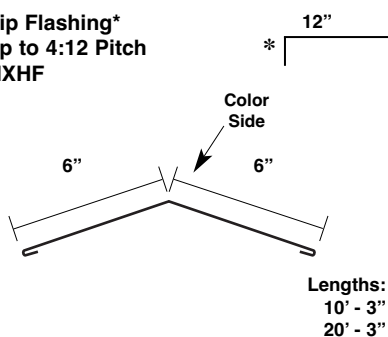
**Fixed High Side Tie-In\***  
Up to 4:12 Pitch  
MXSW



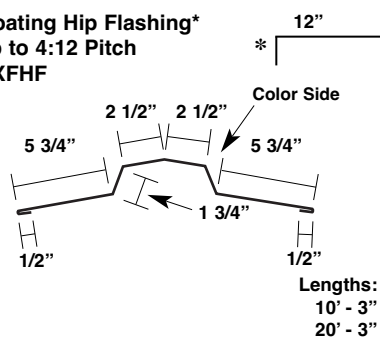
**Floating High Side Tie-In\***  
Up to 4:12 Pitch  
MXFSW



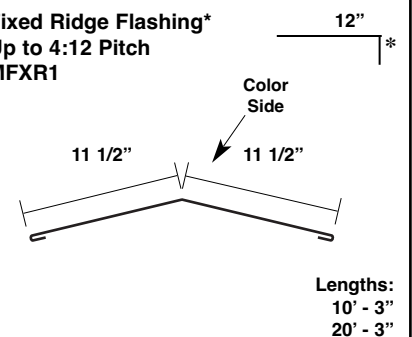
**Hip Flashing\***  
Up to 4:12 Pitch  
MXHF



**Floating Hip Flashing\***  
Up to 4:12 Pitch  
MXHFH



**Fixed Ridge Flashing\***  
Up to 4:12 Pitch  
MFXR1



\*specify roof pitch

(H) Indicates an open hem - All other hems are closed.

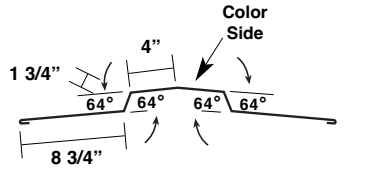
# MAXIMA 3"

COMMERCIAL / INDUSTRIAL APPLICATIONS

Most Trims are 24 GA

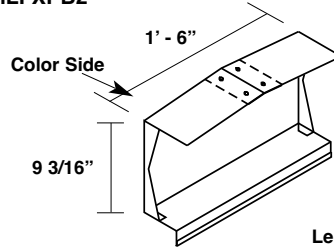
## TRIM 3" MAXIMA

**Floating Ridge Flashing\***  
Up to 4:12 Pitch  
MFLR1



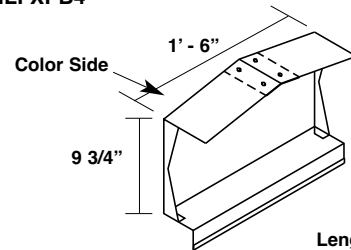
Lengths:  
10' - 3"  
20' - 3"

**Fixed Peak Box**  
Up to 2:12 Pitch  
MLFXPB2



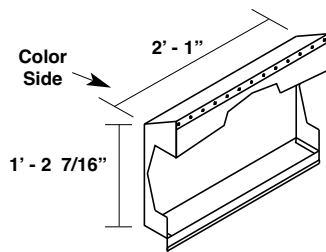
Lengths:  
1' - 6"

**Fixed Peak Box**  
Over 2:12 to 4:12 Pitch  
MLFXPB4



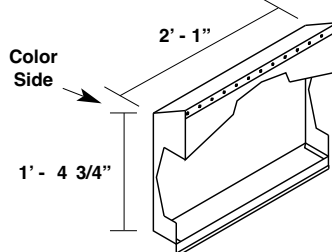
Lengths:  
1' - 6"

**Floating Peak Box**  
Up to 2:12 Pitch  
MLFLPB2



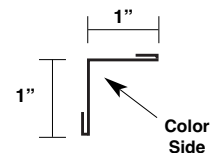
Lengths:  
2' - 1"

**Floating Peak Box**  
Over 2:12 to 4:12 Pitch  
MLFLPB4



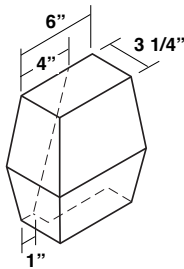
Lengths:  
2' - 1"

**Cinch Angle**  
ML-CA



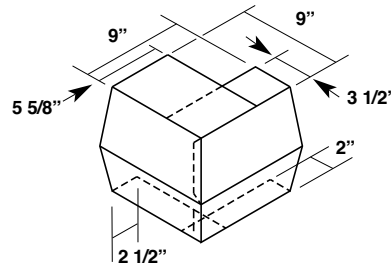
Lengths:  
4"

**Gutter Corner Box for Sculptured Eave**  
Up to 4:12 Pitch  
MLGCB



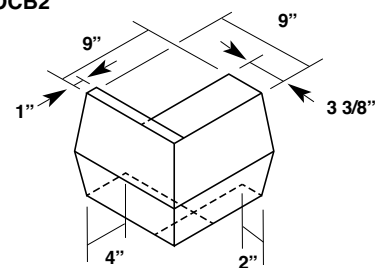
26 Ga.  
(Right Hand Shown  
Left Hand Opposite)

**Hi-Side Corner Box**  
MLHCB



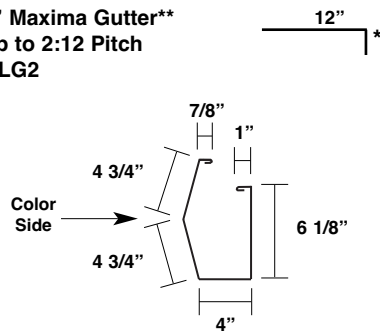
26 Ga.  
(Right Hand Shown  
Left Hand Opposite)

**Outside Corner Box for Standard Gutter\*\***  
Up to 2:12 Pitch  
MLOCB2



26 Ga.  
(Right Hand Shown  
Left Hand Opposite)

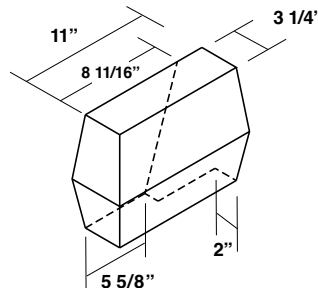
**3" Maxima Gutter\*\***  
Up to 2:12 Pitch  
MLG2



\*\*Snow guards required to prevent damage caused by sliding snow.

Lengths:  
10' - 3"  
20' - 3"

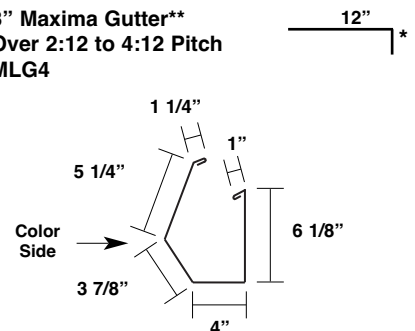
**Gutter Corner Box for Standard Gutter**  
2:12 to 4:12 pitch or with Sculptured Gutter  
(Right Hand Shown-Left Hand Opposite)



26 GA  
(Right Hand Shown  
Left Hand Opposite)

Lengths:  
N/A

**3" Maxima Gutter\*\***  
Over 2:12 to 4:12 Pitch  
MLG4



\*\*Snow guards required to prevent damage caused by sliding snow.

Lengths:  
10' - 3"  
20' - 3"

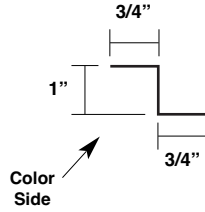
# MAXIMA 3"

**TRIM**  
**3" Maxima**

COMMERCIAL / INDUSTRIAL APPLICATIONS

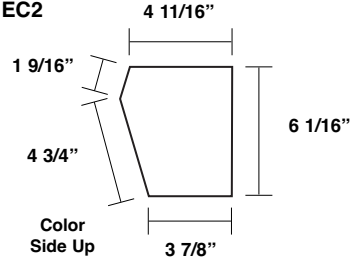
Most Trims are 24 GA

**Gutter Strap**  
**ML-GS**



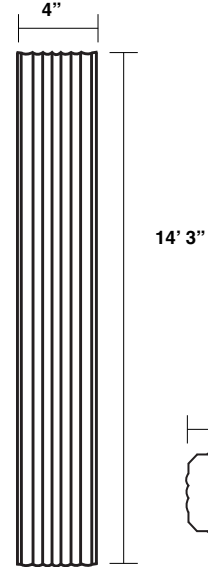
Lengths:  
6"

**Gutter End Cap**  
**Up to 2:12 Pitch**  
**MLGEC2**



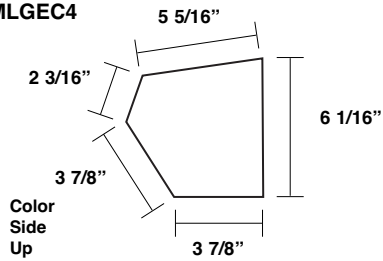
26 Ga.

**Downspout**  
**BBPDS**



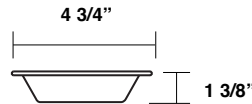
Lengths:  
14'-3"

**Gutter End Cap**  
**Over 2:12 TO 4:12 Pitch**  
**MLGEC4**



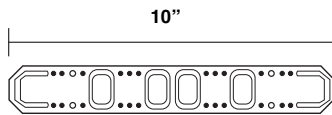
26 Ga.

**Aluminum Downspout**  
**Outlet Box**  
**BBPOUT**



Only available in 26 Ga.

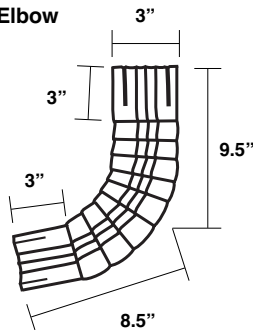
**Downspout Strap**  
**BBPDSS**



Only available in 26 Ga.

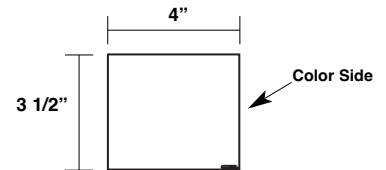
Lengths:  
10"

**3" x 4"**  
**Downspout Elbow**  
**A-Style**  
**BBPELA**



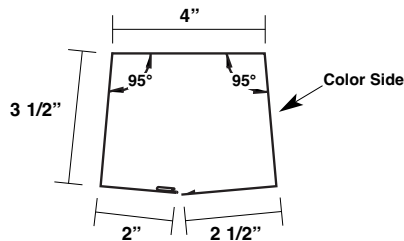
Only available in 26 Ga.

**Lock-Seam Downspout - Corner**  
**(Right Hand Corner Shown)**

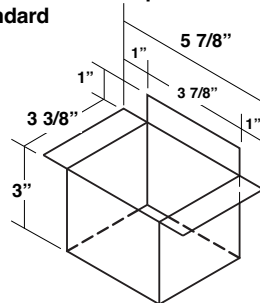


Please specify left or right hand corner

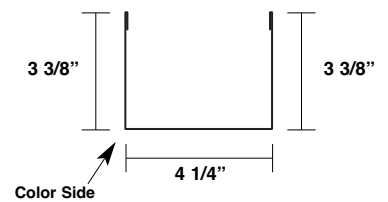
**Lock-Seam Downspout - Center**



**Lock-Seam Downspout Outlet - Standard**



**Lock-Seam Downspout Strap**



**Notes:**

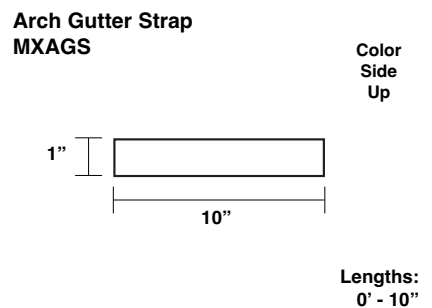
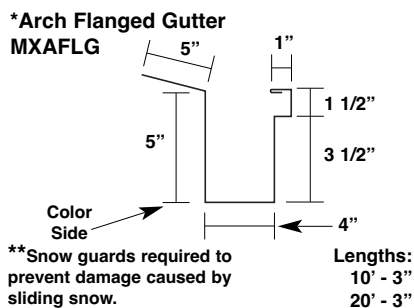
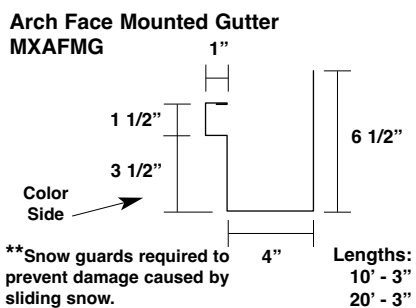
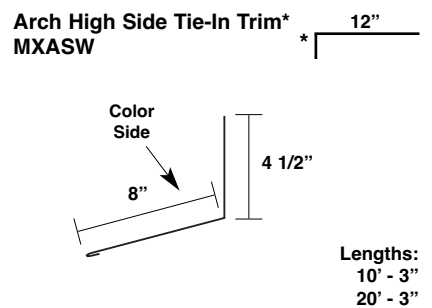
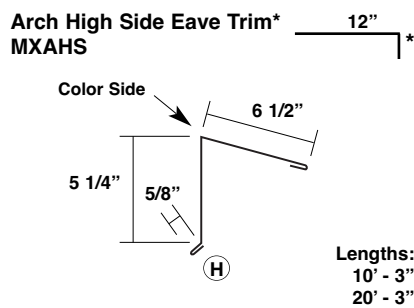
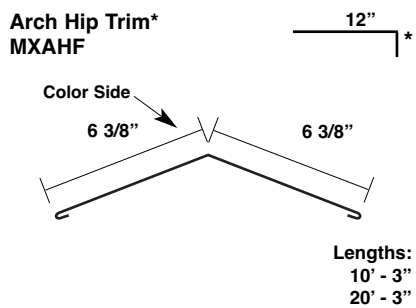
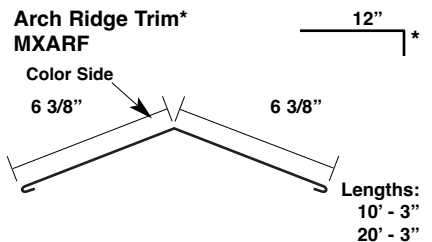
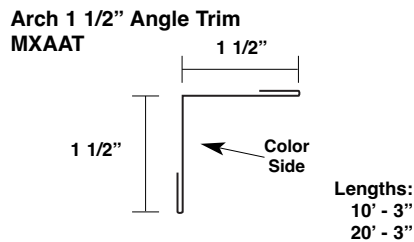
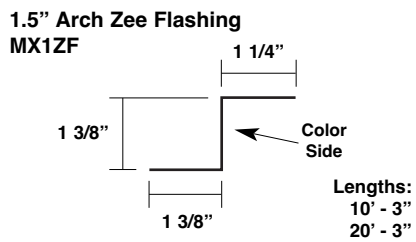
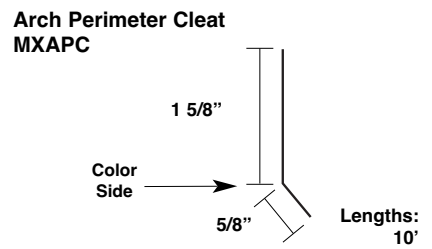
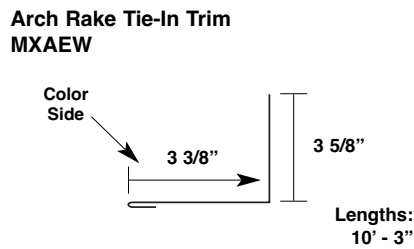
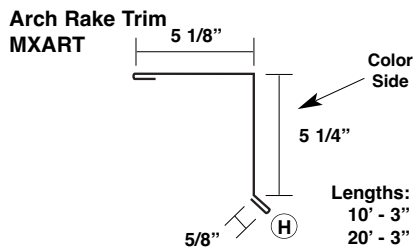
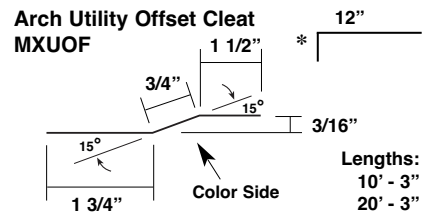
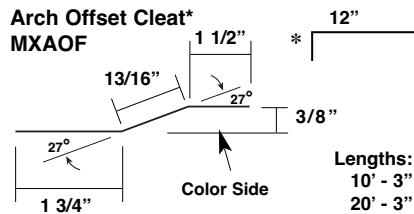
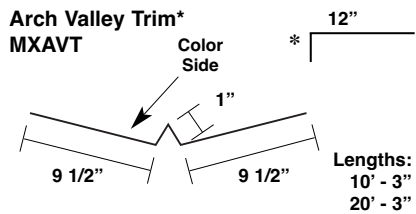
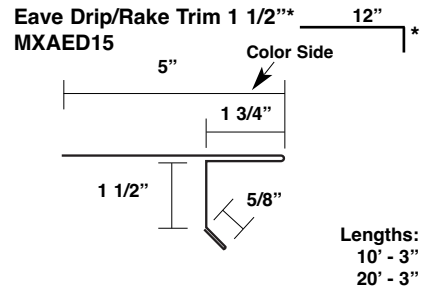
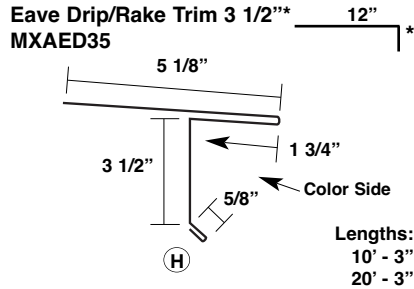
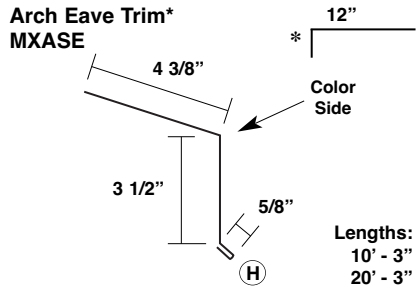
\*specify roof pitch

# MAXIMA 1.5"

## TRIM 1.5" Maxima

## ARCHITECTURAL APPLICATIONS

Most Trims are 24 GA



# MAXIMA 1.5"

## TRIM 1.5" Maxima

### ARCHITECTURAL APPLICATIONS

<p><b>Arch Gutter End Cap MXAGEC</b></p> <p>26 Ga. (Left Hand Shown Right Hand Opposite)</p> <p>Lengths: 10' - 3" 20' - 3"</p>	<p><b>Aluminum Downspout Outlet Box BBPOUT</b></p>	<p><b>Downspout BBPPS</b></p> <p>Lengths: 14' - 3"</p>
<p><b>Downspout Strap BBPDSS</b></p> <p>Lengths: 10"</p> <p>Only available in 26 Ga.</p>	<p><b>3" x 4" Downspout Elbow A-Style BBPELA</b></p> <p>Only available in 26 Ga.</p>	

# MAXIMA 2" & ADV

## TRIM 2" & ADV

### ARCHITECTURAL APPLICATIONS

Most Trims are 24 GA

<p><b>Arch Eave Trim* MXASE</b></p> <p>Lengths: 10' - 3" 20' - 3"</p>	<p><b>Eave Drip/Rake Trim 3 1/2"*** MXAED35</b></p> <p>Lengths: 10' - 3" 20' - 3"</p>	<p><b>Eave Drip/Rake Trim 1 1/2"*** MXAED15</b></p> <p>Lengths: 10' - 3" 20' - 3"</p>
<p><b>Arch Valley Trim* MXAVT</b></p> <p>Lengths: 10' - 3" 20' - 3"</p>	<p><b>Arch Offset Cleat MXAOF</b></p> <p>Lengths: 10' - 3" 20' - 3"</p>	<p><b>Arch Utility Offset Cleat MXUOF</b></p> <p>Lengths: 10' - 3" 20' - 3"</p>
<p><b>Arch Rake Trim MXART</b></p> <p>Lengths: 10' - 3" 20' - 3"</p>	<p><b>Arch Rake Tie-In Trim MXAEW</b></p> <p>Lengths: 10' - 3"</p>	<p><b>Arch Perimeter Cleat MXAPC</b></p> <p>Lengths: 10'</p>

\*specify roof pitch

(H) Indicates an open hem - All other hems are closed.

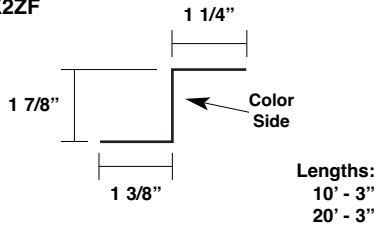
# MAXIMA 2" & ADV

## TRIM 2" & ADV

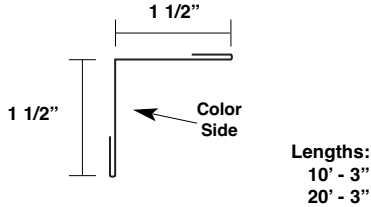
### ARCHITECTURAL APPLICATIONS

Most Trims are 24 GA

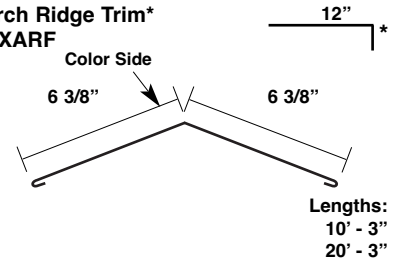
**2" Arch Zee Trim  
MX2ZF**



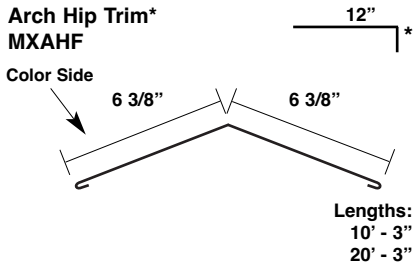
**Arch 1 1/2" Angle Trim  
MXAAT**



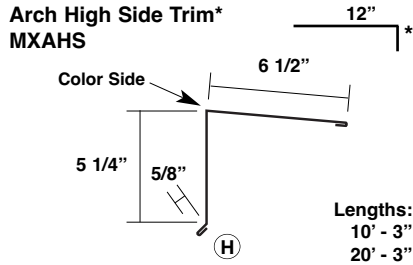
**Arch Ridge Trim\*  
MXARF**



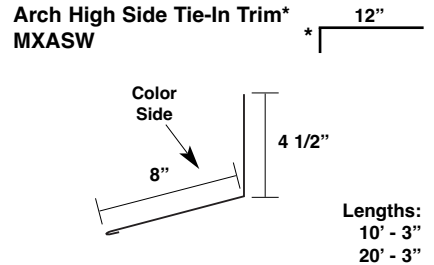
**Arch Hip Trim\*  
MXAHF**



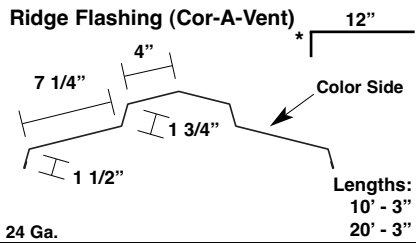
**Arch High Side Trim\*  
MXAHS**



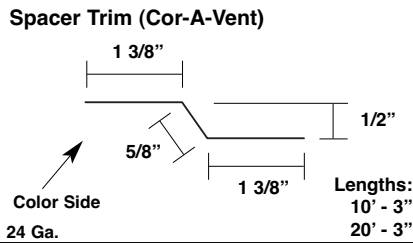
**Arch High Side Tie-In Trim\*  
MXASW**



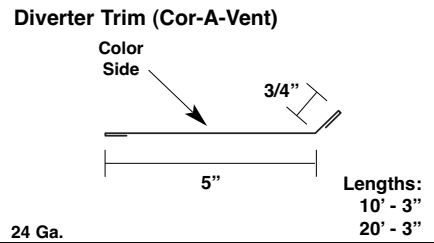
**Ridge Flashing (Cor-A-Vent)**



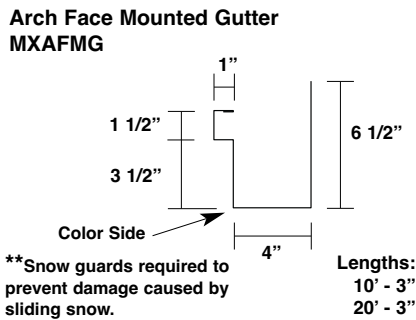
**Spacer Trim (Cor-A-Vent)**



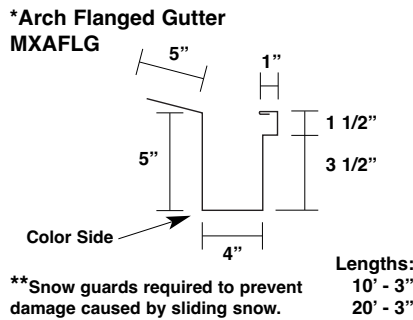
**Diverter Trim (Cor-A-Vent)**



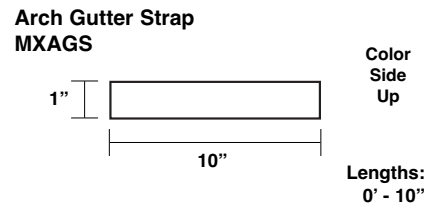
**Arch Face Mounted Gutter  
MXAFMG**



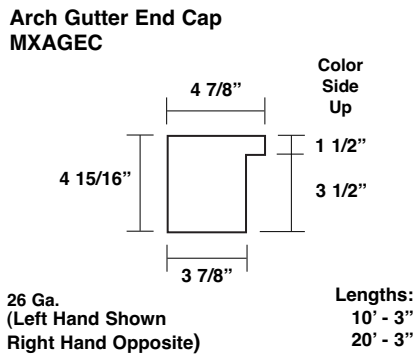
**\*Arch Flanged Gutter  
MXAFLG**



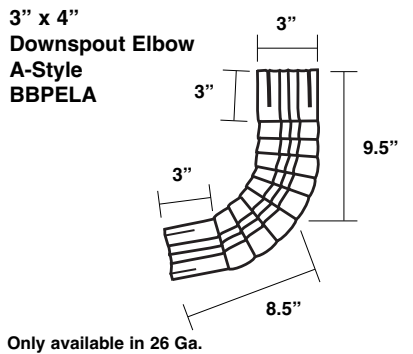
**Arch Gutter Strap  
MXAGS**



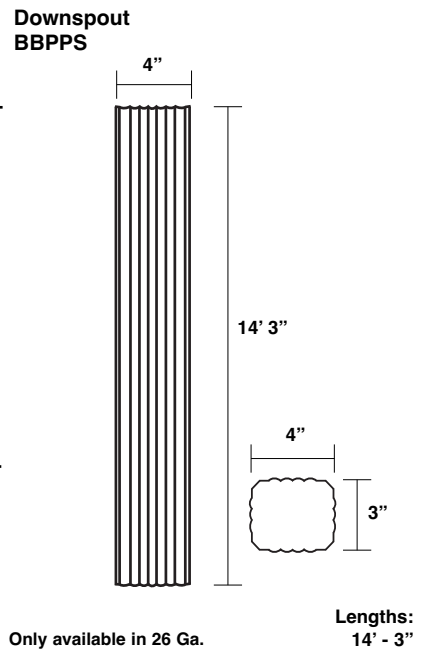
**Arch Gutter End Cap  
MXAGEC**



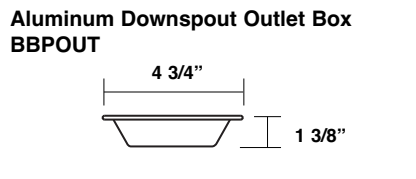
**3" x 4" Downspout Elbow  
A-Style  
BBPELA**



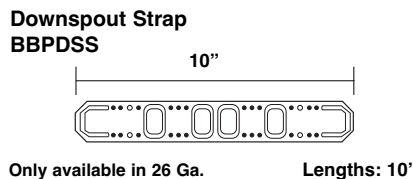
**Downspout  
BBPPS**



**Aluminum Downspout Outlet Box  
BBPOUT**



**Downspout Strap  
BBPDSS**



\*specify roof pitch

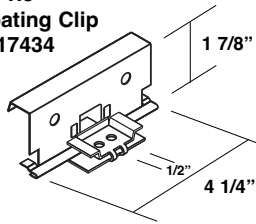
(H) Indicates an open hem - All other hems are closed.



# MAXIMA

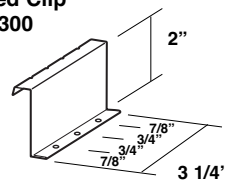
## ACCESSORIES

Maxima 1.5"  
Low Floating Clip  
Item #: 17434



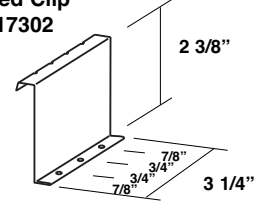
22 Ga.

2:16 and 2:18  
Utility Fixed Clip  
Item #: 17300



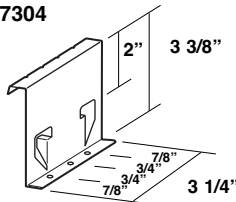
22 Ga.

2:16 and 2:18  
Low Fixed Clip  
Item #: 17302



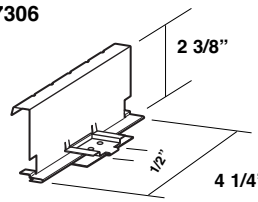
22 Ga.

2:16 and 2:18  
High Fixed Clip  
Item #: 17304



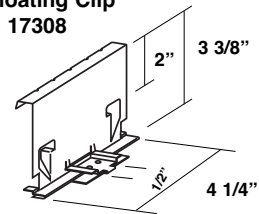
22 Ga.

2:16 and 2:18  
Low Floating Clip  
Item #: 17306



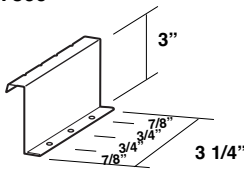
22 Ga.

2:16 and 2:18  
High Floating Clip  
Item #: 17308



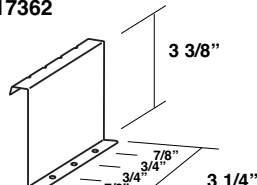
22 Ga.

3:24 Utility Fixed Clip  
Item #: 17360



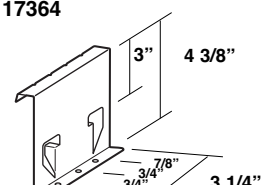
22 Ga.

3:24 Low Fixed Clip  
Item #: 17362



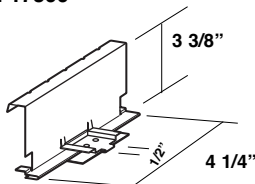
22 Ga.

3:24 High Fixed Clip  
Item #: 17364



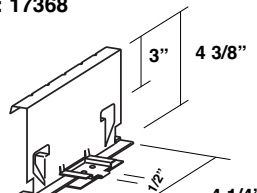
22 Ga.

3:24 Low Floating Clip  
Item #: 17366



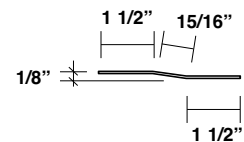
22 Ga.

3:24 High Floating Clip  
Item #: 17368



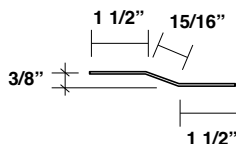
22 Ga.

Utility Eave Plate  
Item #: 17477 Primed  
Item #: 221025 Galvanized



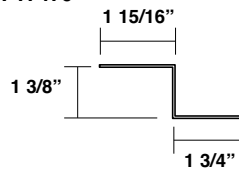
16 Ga.

Low Eave Plate  
Item #: 10936 Primed  
Item #: 224381 Galvanized



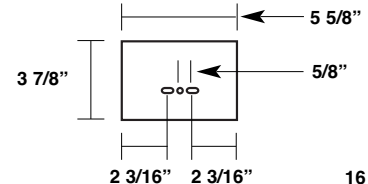
16 Ga.

High Eave Plate Primed  
Item #: 17479



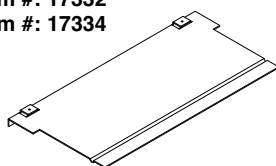
16 Ga.

Bearing Plate  
Item #: 94599 Primed  
Item #: 203541 Galvanized



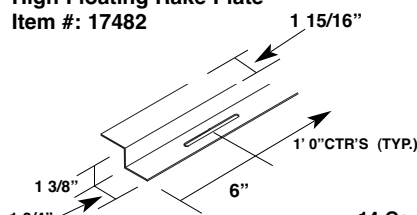
16 Ga.

Standard Back-Up Plate Galvanized  
16" Item #: 17330  
18" Item #: 17332  
24" Item #: 17334



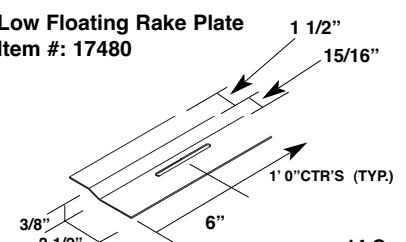
16 Ga.

High Floating Rake Plate  
Item #: 17482



14 Ga.

Low Floating Rake Plate  
Item #: 17480

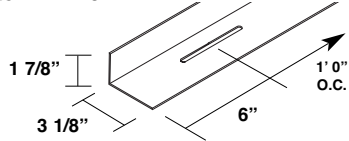


14 Ga.

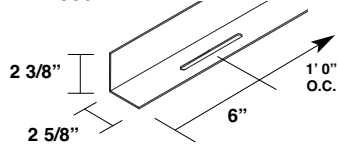
# MAXIMA

## ACCESSORIES

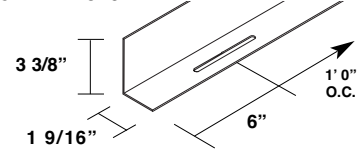
**Maxima 1.5 Rake Support Angle**  
Primed Low Floating x 10'  
Item #: 17527



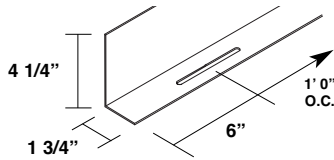
**Maxima 2\"/>**



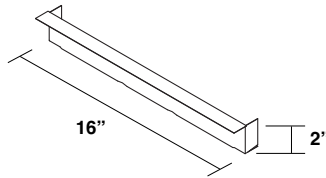
**Maxima 2\"/>**



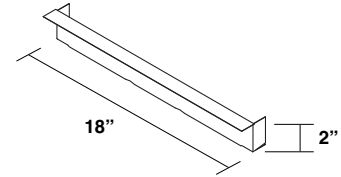
**Maxima 3\"/>**



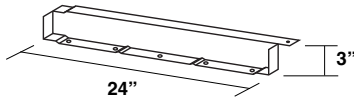
**Maxima 2\"/>**



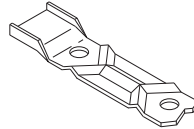
**Maxima 2\"/>**



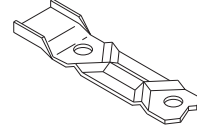
**Maxima 3\"/>**



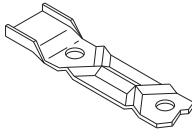
**Cinch Strap 16\"/>**



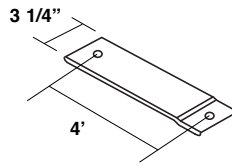
**Cinch Strap 18\"/>**



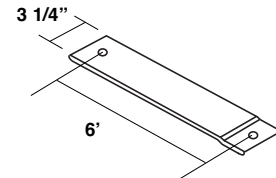
**3:24 Cinch Strap 24\"/>**



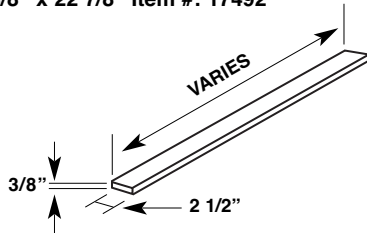
**4' Back-Up Channel - Galvanized**  
Item #: 17400



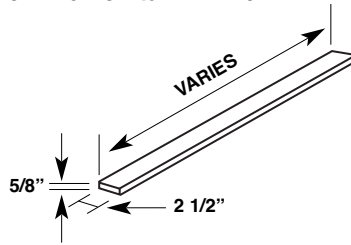
**6' Back-Up Channel - Galvanized**  
Item #: 17402



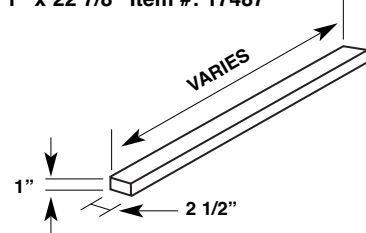
**Thermal Spacer**  
3/8\"/>



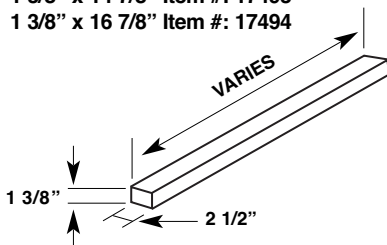
**Thermal Spacer**  
5/8\"/>



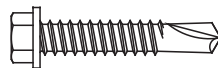
**Thermal Spacer**  
1\"/>



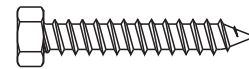
**Thermal Spacer**  
1 3/8\"/>



**1/4 - 14 x 1 1/4\"/>**



**#14 x 1 1/2\"/>**

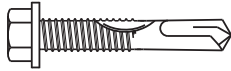


# MAXIMA

## ACCESSORIES

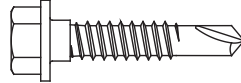
#12 - 24 x 1 1/4"

TEK 4.5  
W/O Washer - Plain  
Item #: 10979



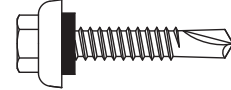
1/4 - 14 x 1 1/4"

Shoulder TEK2 3/8  
HWH W/O Washer - Plain  
Item #: 10975



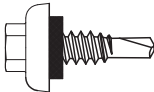
1/4 - 14 x 1 1/4"

TEK2 ZAC  
(Part # varies by color.)



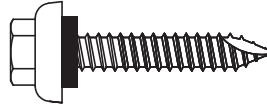
1/4 - 14 x 7/8"

LAPTEK ZAC  
Self Driller  
(Part # varies by color.)



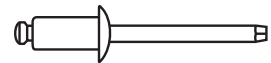
#14 - 10 x 1 1/2"

ZXL WOODBINDER  
(Part # varies by color)



43D Pop rivets

(Part # varies by color)



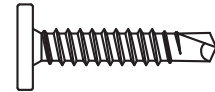
#12 - 13 Dekfast Phillips

(Length varies by application)



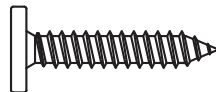
#10 - 16 x 1"

TEK2 Pancake Head  
Self-Driller - Plain  
Item #: 36117



#10 - 12 x 1"

Type A Pancake Head  
Woodgrip - Plain  
Item #: 36116



Touch-Up Paint Pen

(Part # Varies by Color)



Sikalastomer Butyl Sealant

Item #: 95342

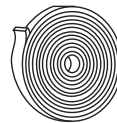


Titebond Caulk Sealant  
(Part # varies by color)



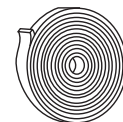
Butyl Double Bead Tape Sealant

3/16" x 7/8" x 40'  
Item #: 95460



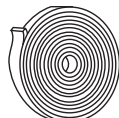
Butyl Tape Sealant

3/32" x 1" x 45'  
Item #: 95335



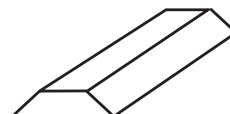
Butyl Tape Sealant

3/32" x 3/8" x 45'  
Item #: 95340



Strip Tape

3/4" x 1 3/8" x 4"  
Item #: 95365  
(Used with Maxima 324 Only)





☆ MANUFACTURING LOCATIONS ● SERVICE CENTERS ★ MANUFACTURING AND SERVICE CENTER



**CORPORATE OFFICE**  
1500 HAMILTON RD.  
BOSSIER CITY, LA 71111

**MANUFACTURING LOCATIONS**

ADELANTO, CA	ASHBURN, GA	BOSSIER CITY, LA	CLINTON, IL	DIAMOND, MO
HOUSTON, TX	LEWISPORT, KY	MARSHALL, MI	MAUSTON, WI	MERKEL, TX
	PEACHTREE CITY, GA	SUNNYVALE, TX	WINCHESTER, VA	

**MCELROY METAL**  
**SERVICE**  
C E N T E R

17031 Koala Road Adelanto, CA 92301	5215 Leo St. Alexandria, LA 71301	1007 Wilso Dr, Baltimore, MD 21223	1500 Hamilton Rd. Bossier City, LA 71111
3052 Yadkin Road Chesapeake, VA 23323	9476 Meadowbrook Rd. Clinton, IL 61727	3215 Highway 59 Diamond, MO 64840	390 N. Valley Dell Dr. Fenton, MO 63026
409 Lovejoy Road Ft. Walton Beach, FL 32548	3014 Lincoln Court Garland, TX 75041	1440 Aldine Bender Road Houston, TX 77032	10504 E. 59th Street Indianapolis, IN 46236
9435 US Hwy. 60 W. Lewisport, KY 42351	1020 Veterans Street Mauston, WI 53948	5123 Terminal Dr. McFarland, WI 53558	514 Cave Road Nashville, TN 37210
8304 Hwy. 70 E. North Little Rock, AR 72117	613 North Bierdeman Rd. Pearl, MS 39208	8511 Industrial Drive Pearland, TX 77584	7450 Tower Street Richland Hills, TX 76118
8200 Berry Ave. Suite 100 Sacramento, CA 95828	1365 Dean Forest Rd. Savannah, GA 31405	7355 Oakley Industrial Blvd. Union City, GA 30291	
	1144 Silstar Rd. West Columbia, SC 29170	325 McGhee Rd. Winchester, VA 22603	

Website: [www.mcelroymetal.com](http://www.mcelroymetal.com) • E-mail: [info@mcelroymetal.com](mailto:info@mcelroymetal.com)