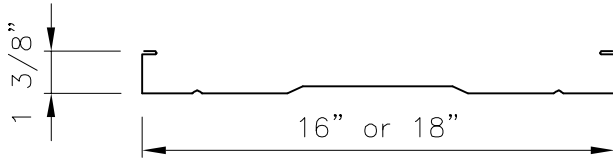
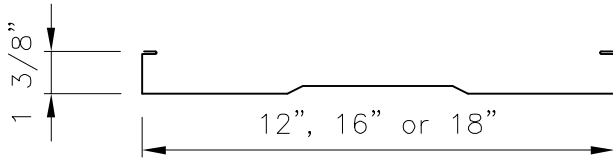


138T Symmetrical Panel

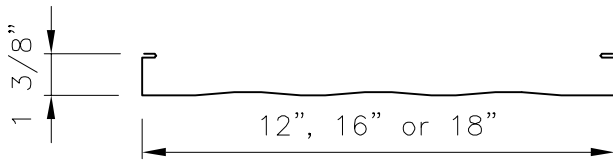
Product Data



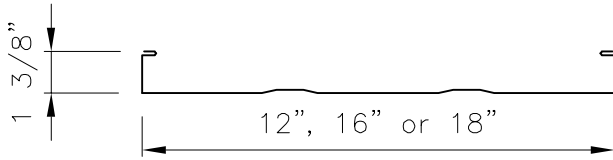
PLANK & PENCIL PROFILE (Standard)



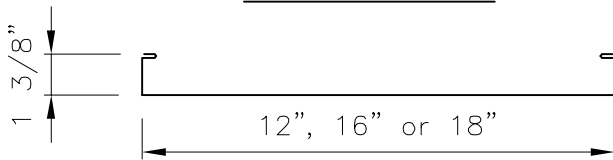
PLANK PROFILE



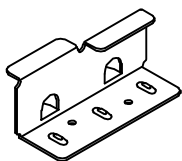
STRIATED PROFILE



MINOR RIBS PROFILE

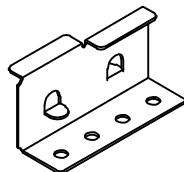


FLAT PROFILE



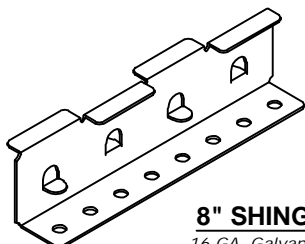
STANDARD CLIP

16 GA. Galvanized G90 - ASTM A635 (50 ksi)
16 GA. Stainless 304SS - ASTM A240 (50 ksi)



4" ASV CLIP

16 GA. Galvanized G90 - ASTM A635 (50 ksi)
16 GA. Stainless 304SS - ASTM A240 (50 ksi)



8" SHINGLE RECOVER CLIP

16 GA. Galvanized G90 - ASTM A635 (50 ksi)
16 GA. Stainless 304SS - ASTM A240 (50 ksi)

Applications

Symmetrical roof/wall panel used on slopes down to 1:12. Continuous length up to 80'. Convex curving only - 9ft minimum radius.

Substrates

Plywood, Metal Deck

Material

Standard - 24 GA. ASTM A792 (50 ksi)

Optional - 22 GA. ASTM A792 (50 ksi)

- .040 Aluminum ASTM B209 3003

- 20oz. & 16oz. Copper ASTM B307 cold-rolled sheet

H00 or H01 Temper **Special Order/Houston Plant Only**

Manufacturing

Roll formed in factory or at jobsite.

Finishes

Acrylic Coated Galvalume®

Fluoropolymer (Kynar 500® PVDF resin-based)

Pan Conditions

Plank & Pencil Rib, Plank, Striated, Minor Ribs and Flat

(Oil canning is inherent in all metal panels and is not cause for panel rejection. A signed oil canning acknowledgement will be required for all orders prior to production.)

Testing *

Uplift: UL 580, UL 1897, ASTM E1592

Air & Water Infiltration: ASTM E1680, ASTM E1646

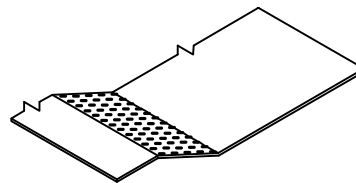
Florida Product Approval: FL 22330 (Shingle Recover System)

Impact Resistance: UL Class 4, FM Class 1-SH

*Testing and Approvals are product specific. Please inquire for details. *

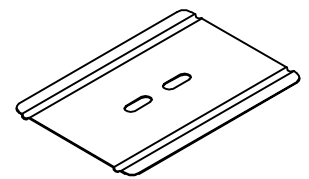
NOTE:

All data represented on this sheet may not be applicable to all widths and gauges. Please contact McElroy Metal for more information.



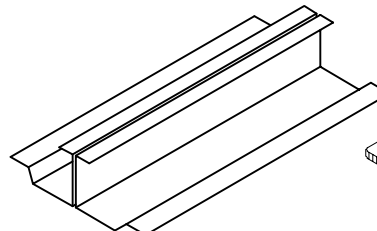
VENTED EAVE/RIDGE TRIM for 138T

0.063 Aluminum - ASTM B209 3003



BEARING PLATE

24 GA. - ASTM A792 (50 ksi)



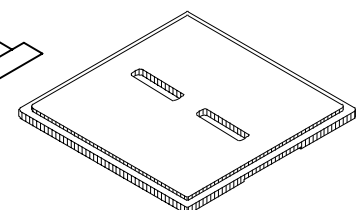
MULTI-SPAN CLIP

2-Piece

Standard: 24 GA. - ASTM A792 (50 ksi)

Optional: 22 GA. - ASTM A792 (50 ksi)

Typically sold in 10' lengths

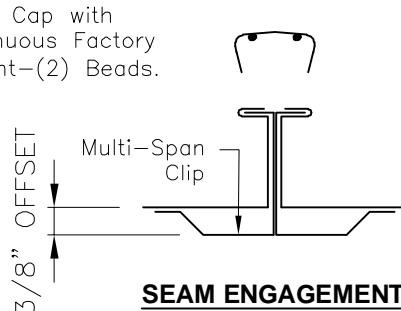
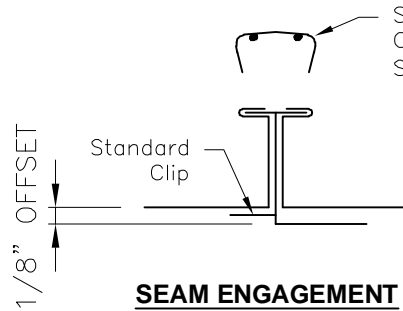


STACKABLE LEVELING SHIM

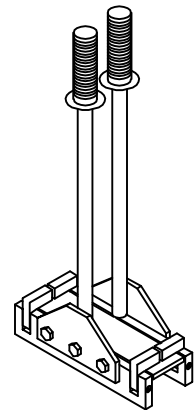
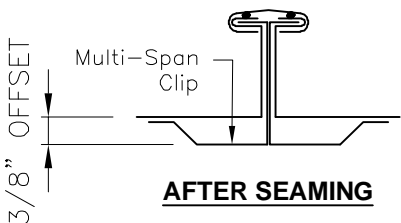
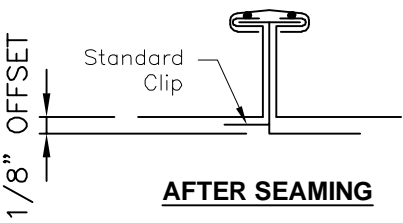
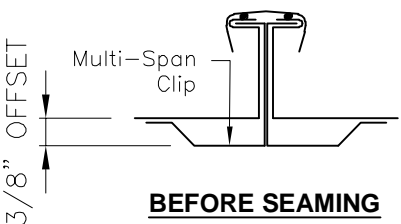
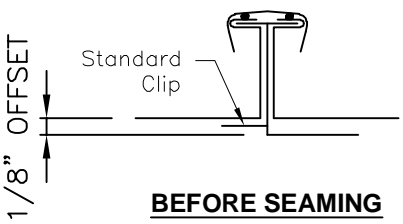
6" x 6" x 1/4" Thick

138T Symmetrical Panel (Continued)

Product Data



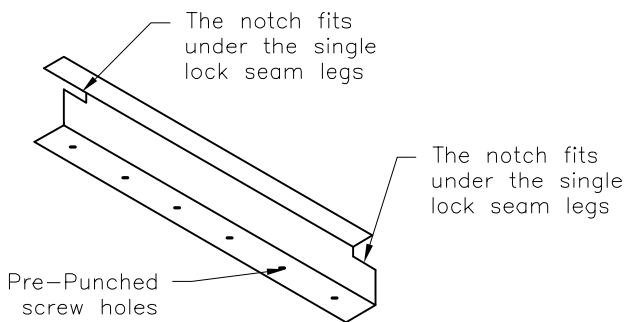
MECHANICAL SEAMER



HAND SEAMER

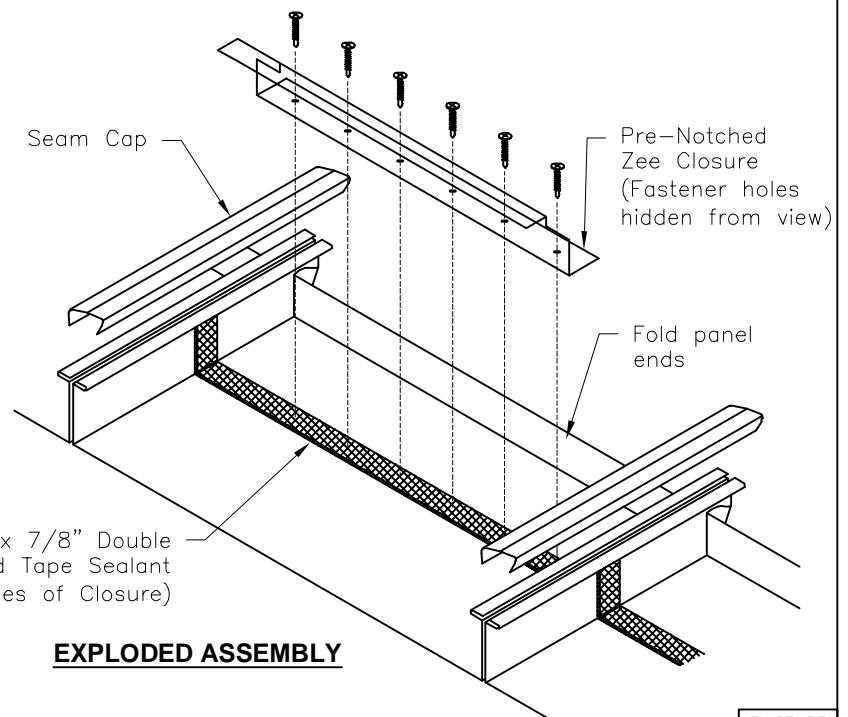
NOTE:

All data represented on this sheet may not be applicable to all widths and gauges. Please contact McElroy Metal for more information.



CLOSURE

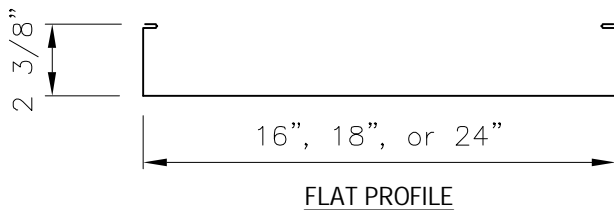
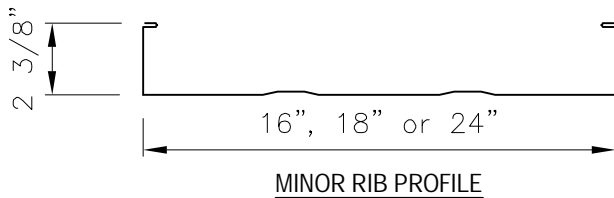
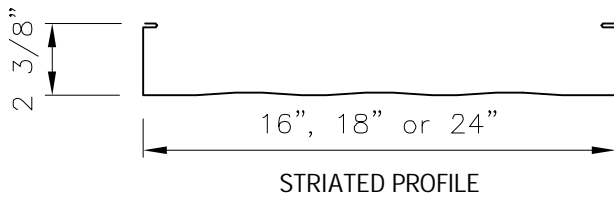
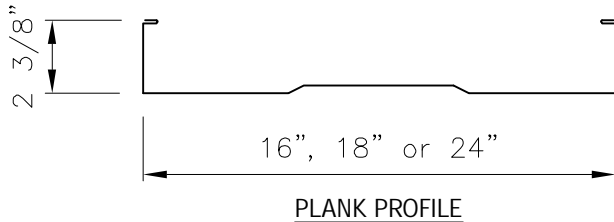
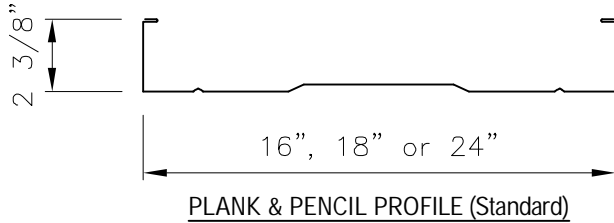
Optimum Widths 16"
Additional lengths for hips available.
24 GA. - ASTM A792 (50 ksi)



EXPLODED ASSEMBLY

238T Symmetrical Panel

Product Data



Applications

Symmetrical roof/wall panel used on slopes down to 1/4:12. Continuous length up to 200'. Tapered panels and convex curving available - 24ft radius minimum.

Substrates

Bar Joist, Open Purlin, Plywood, Metal Deck, Re-Roof over existing Modified, Built-up, Single-ply or Metal.

Material

Standard - 24 GA. ASTM A792 (50 ksi)
 Optional - 22 GA. ASTM A792 (50 ksi)
 .032 and .040 Aluminum ASTM B209 3003
 and 20 oz. Copper ASTM B370

Manufacturing

Roll formed in factory or at jobsite. Curved at jobsite. (24" panels formed on-site only)

Finishes

Acrylic Coated Galvalume®
 Fluoropolymer (Kynar 500® PVDF resin-based)

Pan Conditions

Plank & Pencil Rib, Plank, Striated, Minor Ribs and Flat (Oil canning is inherent in all metal panels and is not cause for panel rejection. A signed oil canning acknowledgement will be required for all orders prior to production.)

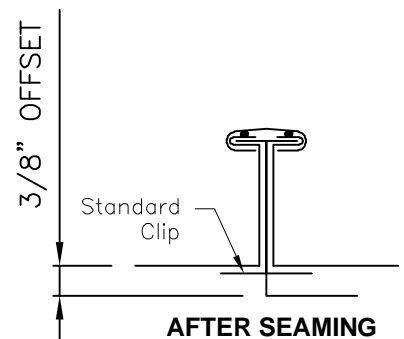
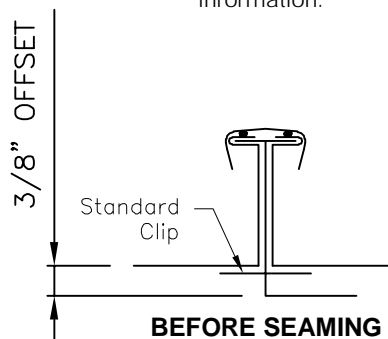
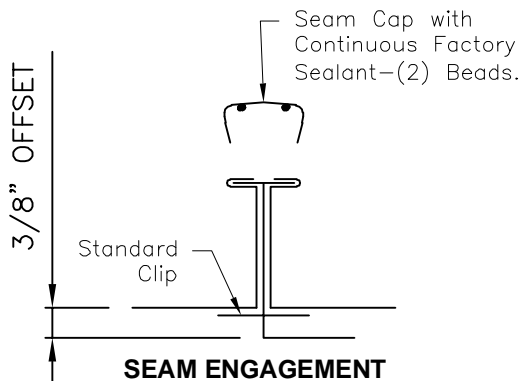
Testing/Agency Approvals *

Uplift: FM 4471 Class 1-75, Class 1-195
 UL 580 Class 90
 ASTM E1592
 Static Water: FM 4471 Appendix G, ASTM E2140
 Air & Water Infiltration: ASTM E1680, ASTM E1646
 Impact Resistance: UL Class 4, FM Class 1-SH
 Fire Rating: UL Class A
 Texas Windstorm: RC-270
 Florida Building Code: 16606.1, 16606.2, 16606.3
 Miami Dade: NOA# 15-1216.03

Testing and Approvals are product specific. Please inquire for details.

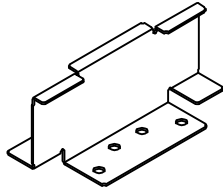
NOTE:

All data represented on this sheet may not be applicable to all widths and gauges. Please contact McElroy Metal for more information.



238T Symmetrical Panel (Continued)

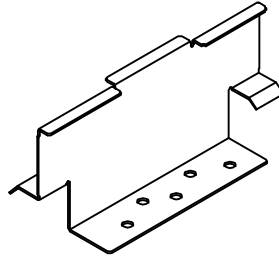
Product Data



STANDARD CLIP

16 GA.

Standard: Galvanized G90 - ASTM A653 (50 ksi)
Optional: Stainless 304SS - ASTM A240 (50 ksi)



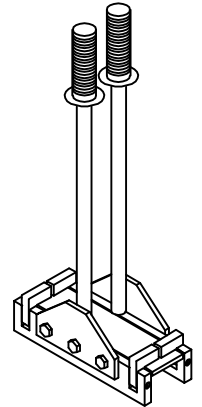
RETROFIT CLIP

16 GA.

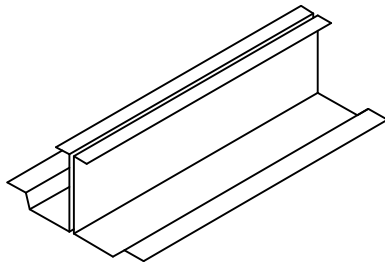
Standard: Galvanized G90 - ASTM A653 (50 ksi)
Optional: Stainless 304SS - ASTM A240 (50 ksi)



MECHANICAL SEAMER



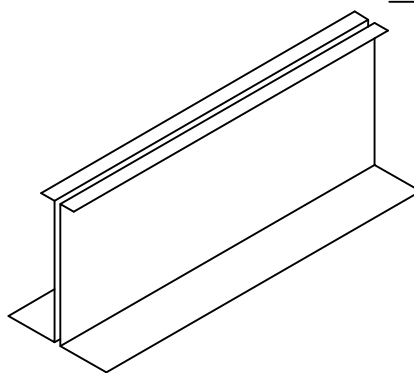
HAND SEAMER



MULTI-SPAN CLIP

2-Piece

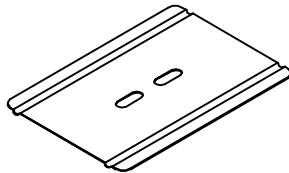
Standard: 24 GA. - ASTM A792 (50 ksi)
Optional: 22 GA. - ASTM A792 (50 ksi)
Typically sold in 10' lengths



TALL MULTI-SPAN CLIP

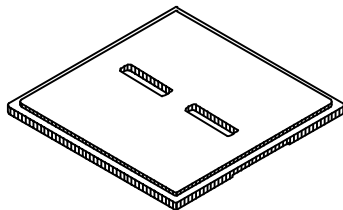
2-Piece

Standard: 24 GA. - ASTM A792 (50 ksi)
Optional: 22 GA. - ASTM A792 (50 ksi)
Typically sold in 10' lengths



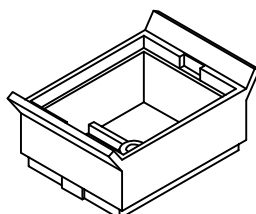
BEARING PLATE

24 GA. - ASTM A792 (50ksi)



STACKABLE LEVELING SHIM

6" x 6" x 1/4" Thick

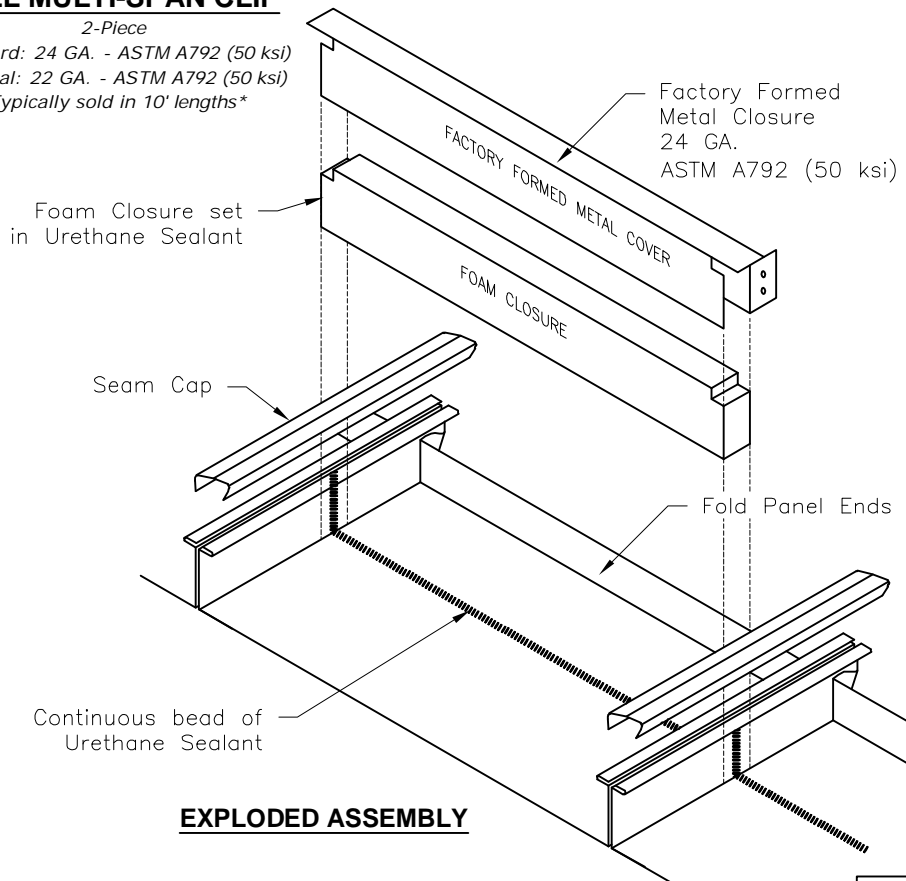


1 3/8" PEDESTAL

For use with Mult-Span Clip Only
20% Glass-Filled Polycarbonate Black

NOTE:

All data represented on this sheet may not be applicable to all widths and gauges. Please contact McElroy Metal for more information.



EXPLODED ASSEMBLY

TECHNICAL BULLETIN

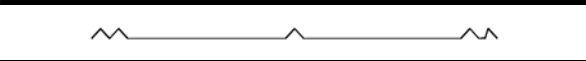


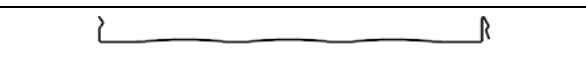
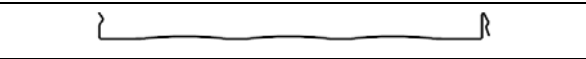
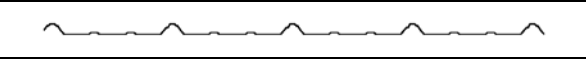
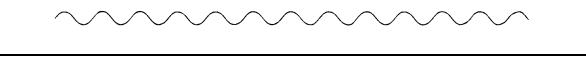

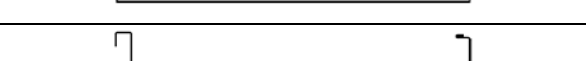
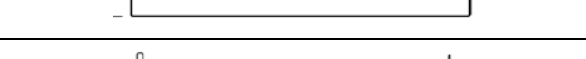
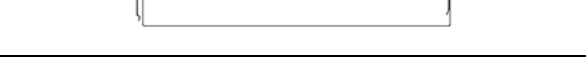
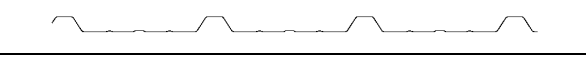
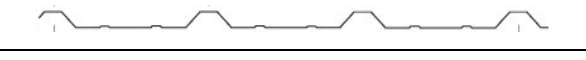
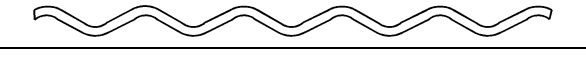
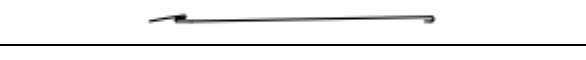
Issue Date : June 1, 2006

Revised: August 17, 2020

No. 04-268-06

Texas Department of Insurance Approval

The following roofing products have been evaluated by the Texas Department of Insurance for being in compliance with the *International Residential Code* (IRC) and the *International Building Code* (IBC).

Panel Name	Minimum Gauge	Product Evaluation Number	Panel Profile
5V-Crimp	26	RC-13	
Meridian	26	RC-34	
Multi-Rib	26	RC-63	
ABC Instaloc	24	RC-86	
ABC InstaLoc	26	RC-93	
MaxRib	29	RC-157	
Multi-Cor	26	RC-158	
ABC 238T	24	RC-270	
ABC JSM 200 DL	24	RC-271	
ABC Permaseam	24	RC-272	
MultiRib	26	RC-283	
PBR-Panel	26	RC-284	
Met Tile	26	RC-425	
Milan	29	RC-463	
Medallion-Lok	24	RC-573	

For additional information and verification please visit <http://www.tdi.state.tx.us/wind> .

MANUFACTURING LOCATIONS

ADELANTO, CA ASHBURN, GA BOSSIER CITY, LA CLINTON, IL DIAMOND, MO HOUSTON, TX LEWISPORT, KY
 MARSHALL, MI MAUSTON, WI MERKEL, TX PEACHTREE CITY, GA SUNNYVALE, TX WINCHESTER, VA



TECHNICAL BULLETIN

Issue Date : June 1, 2006

Revised: August 1, 2017

No. 04-267-06

Tests for Impact Resistance of Roof Covering Materials

UL 2218

Impact Resistance Class 4

Class 4 formed coated Steel Panels designated Type Coated steel panels (surfacing) identified as “Multi-Rib”, “Master-Lok”, “R”, “Medallion-Lok”, “Medallion”, “Medallion I Batten”, “Medallion II Batten”, “Meridian”, “5V-Crimp”, “Mega-Rib”, “Maxima 1.5”, “Maxima 212”, “Maxima 216”, “Maxima 218”, “Maxima 318”, “Maxima 324”, “Metalogic-2000”, “Mirage”, “M-Cor”, “Multi-Cor”, “Max-Rib”, “Mac-Rib”, “U”, “PBU”, “Mirage II”, “Maxima ADV”, and “Met-Tile”, “ABC Permaseam Panel;”, “ABC SL Low Panel”, ABC JSM 200”, “ABC Instaloc”, ABC SERIES 300”, “238T Roof Panel”, and “138T Roof Panel”.

Class 4 formed copper panel, designated “ABC JSM 200”

Class 4 formed aluminum panel, designated “ABC 238T Roof Panel” and “Medallion-Lok”.

CORPORATE OFFICE
SHREVEPORT, LOUISIANA

BOSSIER CITY, LA
CLINTON, IL

PEACHTREE CITY, GA
MARSHALL, MI

WINCHESTER, VA
ADELANTO, CA

LEWISPORT, KY
MAUSTON, WI

ASHBURN, GA
MERKEL, TX

SUNNYVALE, TX
HOUSTON, TX



TECHNICAL BULLETIN

Issue Date : June 1, 2006

Revised : April 24, 2017

No. 04-266-06

Tests for Fire Resistance of Roof Covering Materials UL 790 (ASTM E108 and NFPA 256)

Class A

Coated Steel Panels (surfacing) identified as "Multi-Rib", "Master-Lok", "R", "Medallion-Lok", "Medallion", "Medallion I Batten", "Medallion II Batten", "Meridian", "5V-Crimp", "Mega-Rib", "Maxima 1.5", "Maxima 212", "Maxima 216", "Maxima 218", "Maxima 318", "Maxima 324", "Metalogic-2000", "Mirage", "M-Cor", "Multi-Cor", and "Max-Rib", "U", "PBU", "Mirage II", "Maxima ADV", "Met-Tile", "ABC Perma seam Panel", "ABC SL Low Panel", "ABC JSM 200", "ABC Instaloc", "ABC Series 300", "238T Roof Panel", and "138T Roof Panel".

Copper panels (surfacing) identified as "ABC JSM 200".

Aluminum panels (surfacing) identified as "ABC 238T Roof Panel" and "Medallion-Lok".

- 1. Deck:** C-15/32 **Incline:** Unlimited **Impact:** Class 4
Barrier Board: - Georgia Pacific ¼ in. min " Densdeck" board or ¼" min United States Gypsum Co SECURELOCK® Glass-Mat Roof Board (Type SGMRX), National Gypsum "DEXcell Glass Mat Roof Board" or " DEXcell FV Glass Mat Roof Board", CertainTeed Gypsum "GlasRoc" or ½ in. min UL classified gypsum board with all joints staggered a min of 6 in. from the plywood joints.
Ply Sheet (Optional): - Any UL Classified Type G1, G2 or G3 base/ply sheet, Type 15, 20 or 30 felt or UL Classified prepared roofing accessory or GCP Applied Technologies "Ice and Water Shield".
Surfacing: - Coated Steel, Aluminum, or Copper roofing panels, mechanically fastened or with steel screws when roof deck fasteners (panel clips) not required.
- 2. Deck:** NC **Incline:** Unlimited **Impact:** Class 4
Barrier Board (optional): - ¼ in. (min) G-P Gypsum Densdeck® United States Gypsum Co SECURELOCK ®, Glass Mat Roof Board (Type SGMRX), National Gypsum "DEXcell Glass Mat Roof Board" or " DEXcell FV Glass Mat Roof Board", CertainTeed Gypsum "GlasRoc".
Ply Sheet (Optional): - Any UL Classified Type G1, G2 or G3 base/ply sheet, Type 15, 20 or 30 felt or UL Classified prepared roofing accessory or GCP Applied Technologies "Ice and Water Shield".
Surfacing: - Coated Steel, Aluminum, or Copper roofing panels, mechanically fastened or with steel screws when roof deck fasteners (panel clips) not required.
- 3. Deck:** NC **Incline:** Unlimited **Impact:** Class 4
Barrier Board (optional): - 7/16 OSB or 5/8 in. plywood over polyisocyanurate insulation board or polyisocyanurate composite board, any thickness.
Ply Sheet (Optional): - Any UL Classified Type G1, G2 or G3 base/ply sheet, Type 15, 20 or 30 felt or UL Classified prepared roofing accessory or GCP Applied Technologies "Ice and Water Shield".
Surfacing: - Coated Steel, Aluminum, or Copper roofing panels, mechanically fastened or with steel screws when roof deck fasteners (panel clips) not required.
- 4. Deck:** NC **Incline:** Unlimited **Impact:** Class 4
Barrier Board (optional): - Polyisocyanurate, glass fiber, perlite, or wood fiber, any thickness.
Ply Sheet (Optional): - Any UL Classified Type G1, G2 or G3 base/ply sheet, Type 15, 20 or 30 felt or UL Classified prepared roofing accessory or GCP Applied Technologies "Ice and Water Shield".
Surfacing: - Coated Steel, Aluminum, or Copper roofing panels, mechanically fastened or with steel screws when roof deck fasteners (panel clips) not required.
- 5. Deck:** NC **Incline:** Unlimited **Impact:** Class 4
Insulation: - None Required, however any UL Classified insulations may be over open purlin spans. Any combination and any total thickness of insulation may be used.
Surfacing: - Coated Steel, Aluminum, or Copper roofing panels, mechanically fastened or with steel screws when roof deck fasteners (panel clips) not required.
- 6. Deck:** C-15/32 **Incline:** Unlimited **Impact:** Class 4
Barrier Board: - Georgia Pacific ¼ in. min " Densdeck" board or ¼" min United States Gypsum Co SECURELOCK® Glass-Mat Roof Board (Type SGMRX), National Gypsum "DEXcell Glass Mat Roof Board" or " DEXcell FV Glass Mat Roof Board", CertainTeed Gypsum "GlasRoc" or ½ in. min UL classified gypsum board with all joints staggered a min of 6 in. from the plywood joints.
Ply Sheet (Optional): - Any UL Classified Type G1, G2 or G3 base/ply sheet, Type 15, 20 or 30 felt or UL Classified prepared roofing accessory or GCP Applied Technologies "Ice and Water Shield".
Surfacing: - Coated Steel, Aluminum, or Copper roofing panels, mechanically fastened or with steel screws when roof deck fasteners (panel clips) not required.

Class C

- 1. Deck:** C-15/32 **Incline:** No Limitations **Impact:** Class 4
Surfacing: - Coated Steel roofing panels, mechanically fastened or with steel screws when roof deck fasteners (panel clips) not required.

Maintenance and Repair

Class A, B, or C

- 1. Deck:** C-15/32 **Incline:** No Limitations **Impact:** Class 4

Existing Roof System: - (to maintain existing Classifications) Class A, B or C smooth or mineral surfaced cap sheet or asphalt glass mat shingles or organic felt shingles.

Ply Sheet (Optional): - Type 15 or 30 organic felt or UL classified self-adhering modified bitumen membrane.

Surfacing: - Coated Steel "138T Roof Panel", mechanically fastened or with steel screws when roof deck fasteners (panel clips) not required.

CORPORATE OFFICE SHREVEPORT, LOUISIANA



TECHNICAL BULLETIN

Issue Date : June 1, 2006

Revised: December 13, 2013

No. 04-270-06

Tests for Fire Resistance Ratings of Roof Covering Materials

UL 263 (ASTM E119 and NFPA 251)

The following products:

Mechanically attached metal roof panels "Multi-Rib", "Master-Lok 90", "R ", "Medallion-Lok ", "Medallion", "Medallion I Batten", "Medallion II Batten", "5V-Crimp", "Mega-Rib", "Max-Rib", "Maxima 212", "Maxima 216", "Maxima 218", "Maxima 318", "Maxima 324", "Metalogic-2000", "Mirage ", "U", "Maxima 1.5", "Mirage II", "Maxima ADV" and "Met-Tile", secured by steel anchor clips. Anchor clips are attached to a hat shaped member+ (minimum depth 1 in.) or a bearing plate ++.

Mechanically attached metal roof panels, identified as "ABC Permaseam Panel", "ABC SL Low Panel", "ABC JSM 200", "ABC Instaloc", "ABC SERIES 300" and "ABC 238T Roof Panel", secured by steel anchor clips. Anchor clips are attached to a hat shaped member+ (minimum depth 1 in.) or a bearing plate +++.

Have been approved for use in the following Underwriters Laboratories design numbers:

P225, P227, P230, P237, P250, P259, P265, P266, P268, P508, P510, P512, P514, P516, P518, P701, P711, P712, P713, P717, P719, P720, P722, P723, P726, P731, P732, P734, P739, P740, P801, P815, P819, P824, P825, and P828.

+Hat-shaped member to be a minimum of 16 gauge. The member will be fastened through the roof insulation to the steel roof deck with No. 14 self-drilling and/or self-tapping fasteners. Spacing to be determined by the structural loading requirements. In addition any compressible UL Classified glass fiber blanket insulation with or without a vapor-retarder facing may be used between the specified roof insulation and the metal roof panels.

++Bearing plate to be a minimum of 16 gauge. Member will be fastened through the roof insulation to the steel deck with No. 14 self-drilling and/or self-tapping fasteners.

+++Bearing plate to be a minimum of 24 gage . Member will be fastened through the roof insulation to the steel deck with No. 14 self-drilling and/or self-tapping fasteners.

**CORPORATE OFFICE
SHREVEPORT, LOUISIANA**

BOSSIER CITY, LA
CLINTON, IL

PEACHTREE CITY, GA
MARSHALL, MI

WINCHESTER, VA
ADELANTO, CA

LEWISPORT, KY
MAUSTON, WI

ASHBURN, GA
MERKEL, TX

SUNNYVALE, TX
HOUSTON, TX